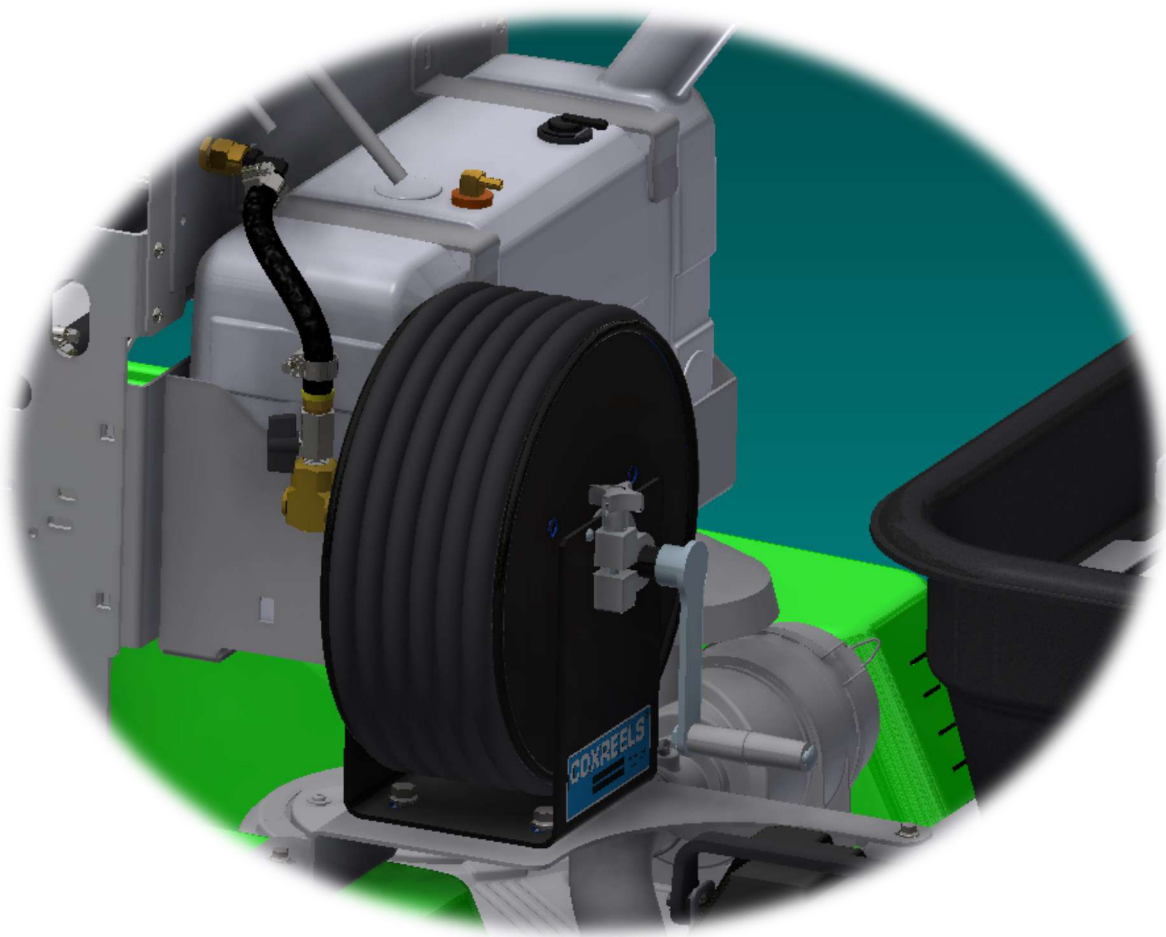


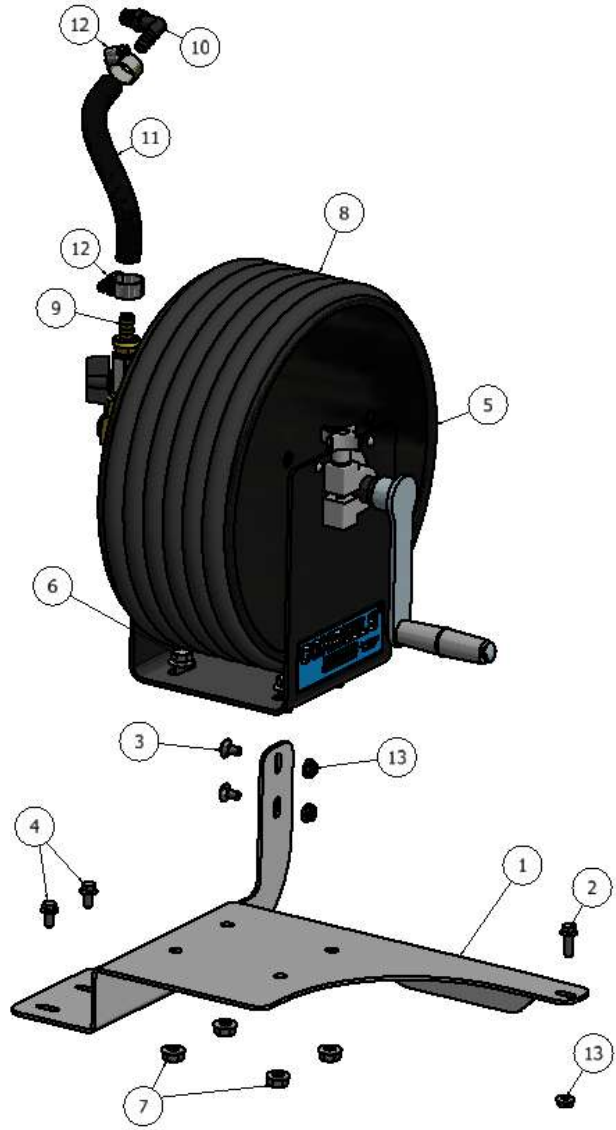
INSTRUCTION MANUAL

SG36 HOSE REEL OPTION

Models: SG36



SG36 HOSE REEL OPTION EXPLODED VIEW



| PARTS LIST | | | |
|------------|-----|-------------|---|
| ITEM | QTY | PART NUMBER | DESCRIPTION |
| 1 | 1 | R22-072 | HOSE REEL BRACKET, SG36 |
| 2 | 1 | HFSSC-1475 | HEX FLANGE BOLT 1/4 X 3/4 |
| 3 | 2 | CB-145SS | CARRAGE BOLT, 1/4 X 1/2 |
| 4 | 2 | HFSSC-145 | HEX FLANGE BOLT, 1/4-20 x 1/2 |
| 5 | 1 | S53001 | COX HOSE REEL |
| 6 | 4 | HFSSC-3875 | HEX FLANGE BOLT, 3/8 X 3/4 |
| 7 | 4 | HFNCS-38S | HEX FLANGE NUT - 3/8-16 |
| 8 | 1 | S55006 | HOSE, 3/8-75FT. ROLL W/FITTING |
| 9 | 1 | H84023 | 3/8 PUSH LOCK HOSE BARB X 3/8 MALE PIPE BRASS |
| 10 | 1 | S52021 | ELBOW, 1/4 X 3/8 BARB |
| 11 | 1 | S55005 | 3/8 HOSE 20" |
| 12 | 2 | MS4 | 3/8 HOSE CLAMP |
| 13 | 3 | HFNCS-14S | HEX FLANGE NUT 1/4 |

SG36 HOSE REEL ASSEMBLY INSTRUCTIONS

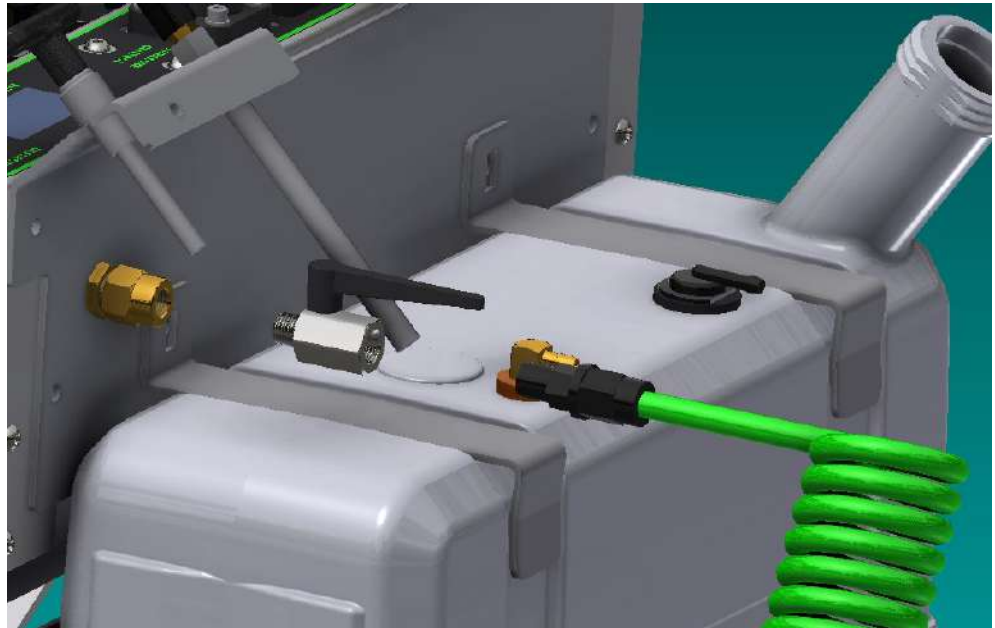
STEP ONE: Disconnect the battery, *ground* first and then *power* wire.



GROUND

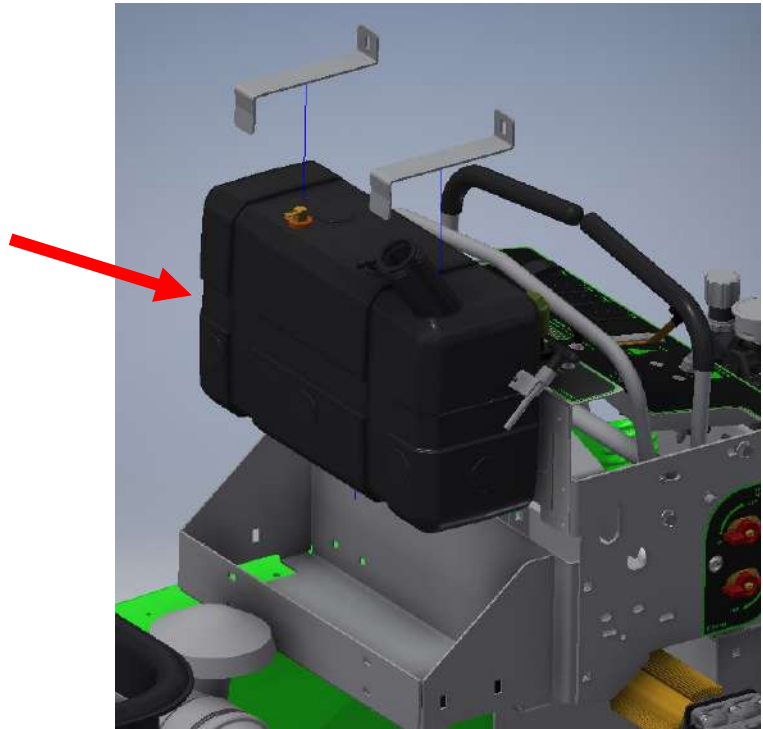
POWER

STEP TWO: Disconnect the coil hose and ball valve.



SG36 HOSE REEL ASSEMBLY INSTRUCTIONS

STEP THREE: Disconnect and remove the fuel tank.

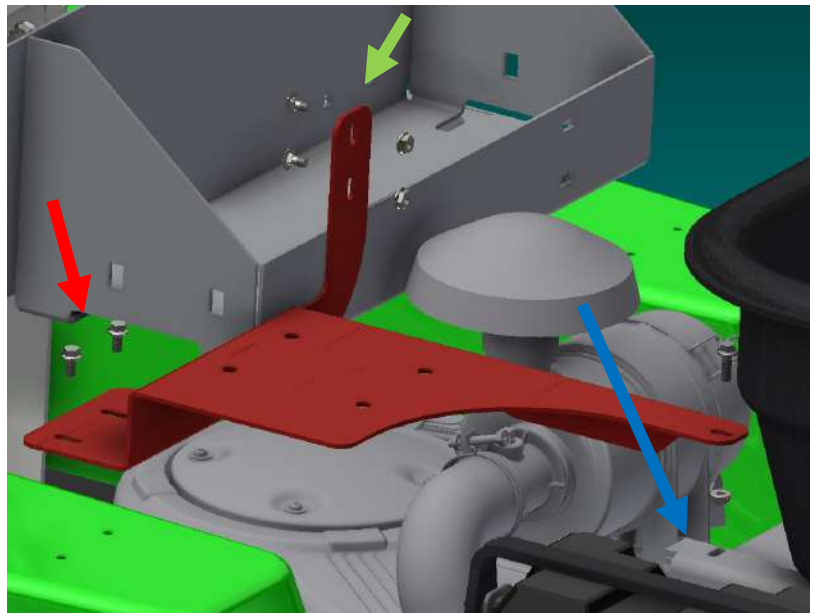


STEP FOUR: Attach the hose reel mounting bracket.

Attachment points:

- Red, front tank (HFSSC-145)
- Green, fuel tank bracket (CB-154SS) and (HFNC-14S).
- Blue, corner of the hopper support (HFSSC-1475) and (HFNC-14S).

NOTE: *bracket shown in color for clarity.*



SG36 HOSE REEL ASSEMBLY INSTRUCTIONS

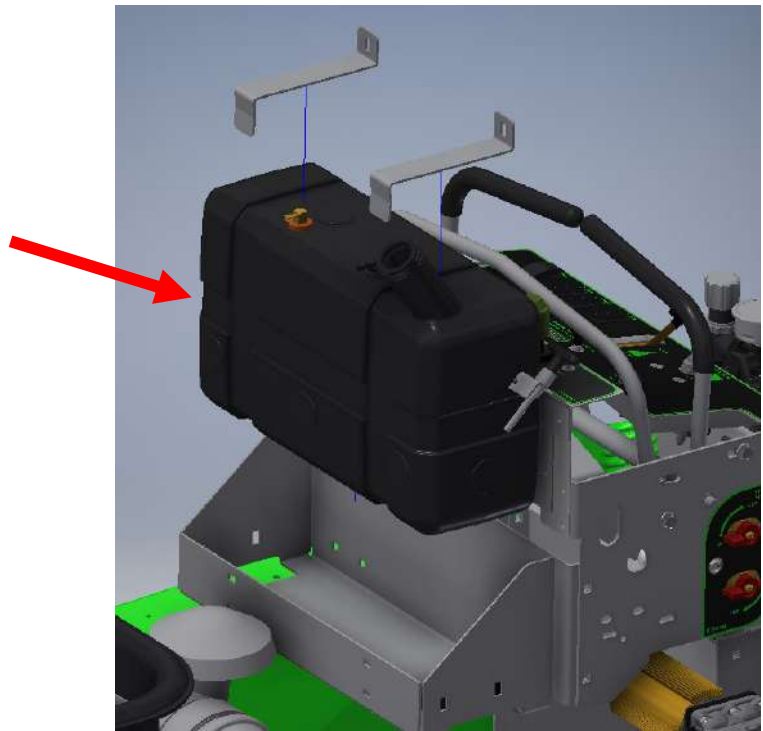
STEP FIVE: Reinstall the fuel tank.

CAUTION!

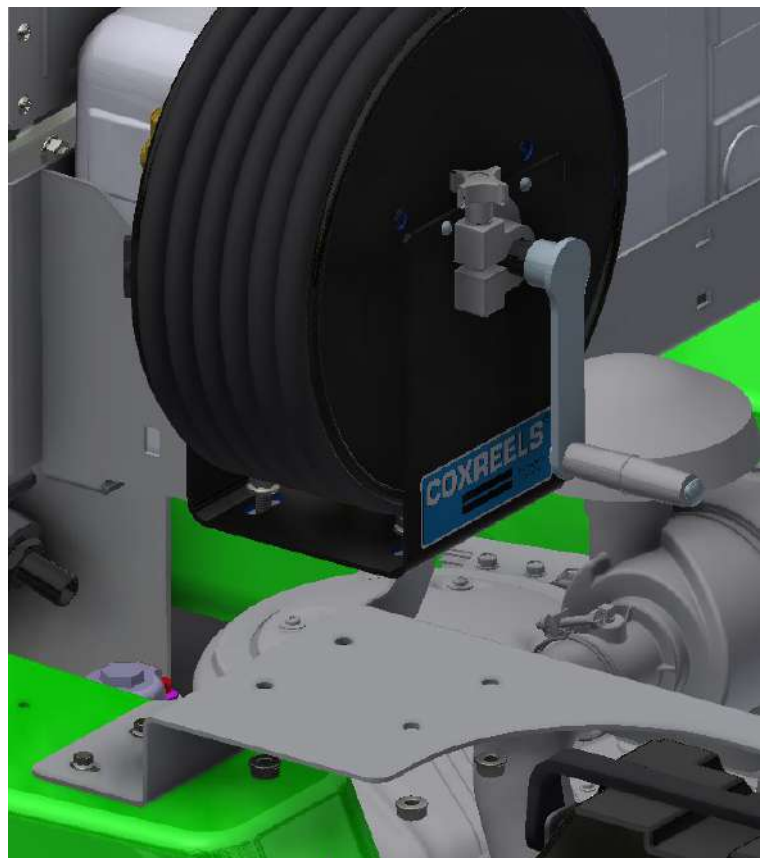
- Beware of excess fuel in the lines.
- Fuel spillage.

WARNING!

- Flammable gas.

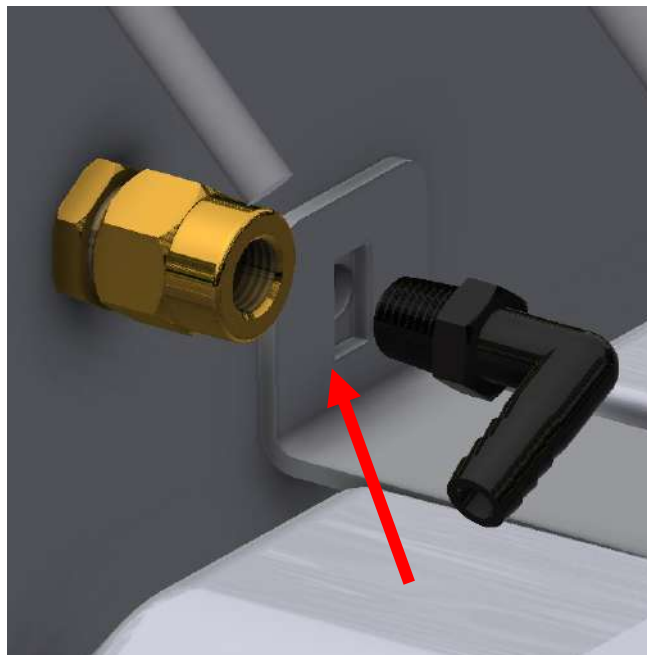


STEP SIX: Attach the hose reel to the mounting bracket (HFSSC-3875) and (HFNC3-38S).



SG36 HOSE REEL ASSEMBLY INSTRUCTIONS

STEP SEVEN: Install the barb fitting (S52021) to the bulkhead fitting above the fuel tank.



STEP EIGHT: Attach the 3/8" hose (S55005) to the hose barb fittings and securely fasten with (2) 3/8" hose clamps (MS4).



SG36 HOSE REEL ASSEMBLY INSTRUCTIONS

STEP NINE: Reconnect the battery, *power* wire first along with the *pump power wire* from the wiring harness, and then reconnect the *ground* wire.



GROUND

POWER



Steel Green Mfg.
824 S State Road 39
Lebanon, IN 46052
(765)-481-2890
www.steelgreenmfg.com

| MANUAL PART NO. | MANUAL REV. | DESCRIPTION | KIT PART NO. |
|--------------------|----------------|-----------------------|-----------------|
| SGM-038 | B | SG36 HOSE REEL OPTION | P10039 |