

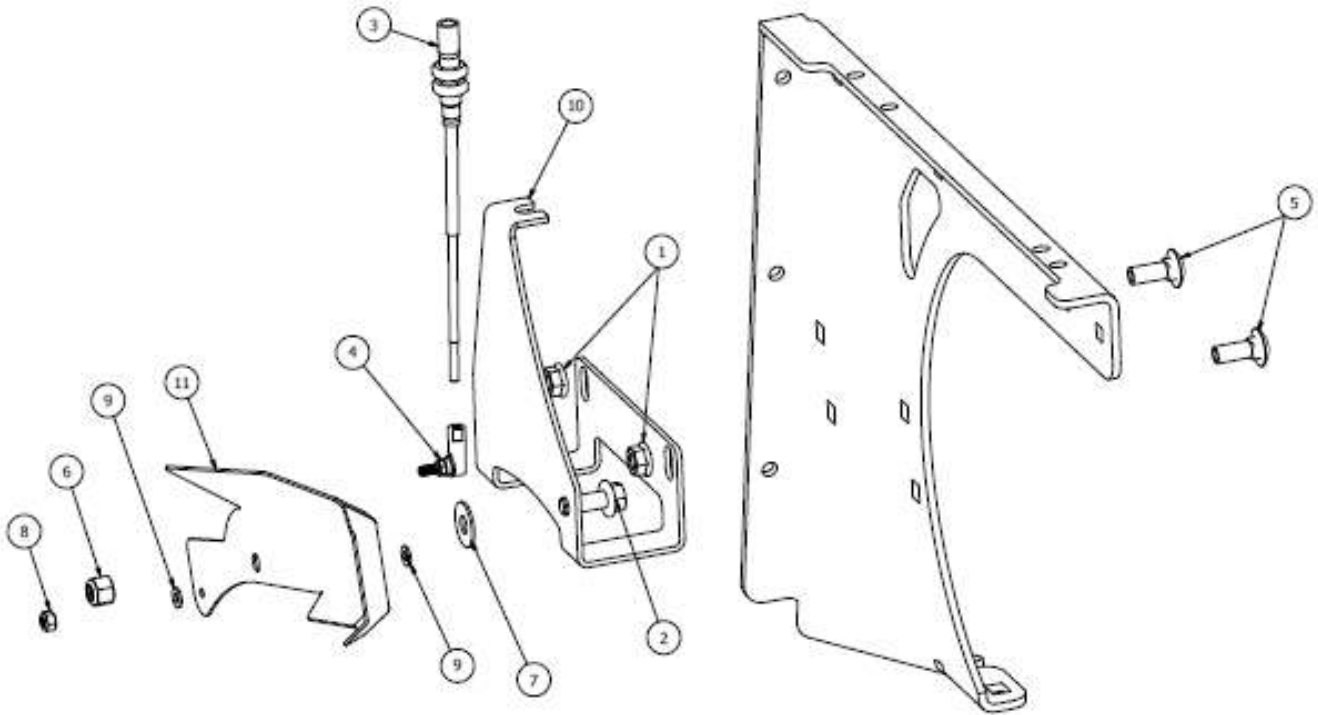
## INSTRUCTION MANUAL

### SIDE DEFLECTOR REPLACEMENT

Models: SG36, SG42, SG46, & SG52



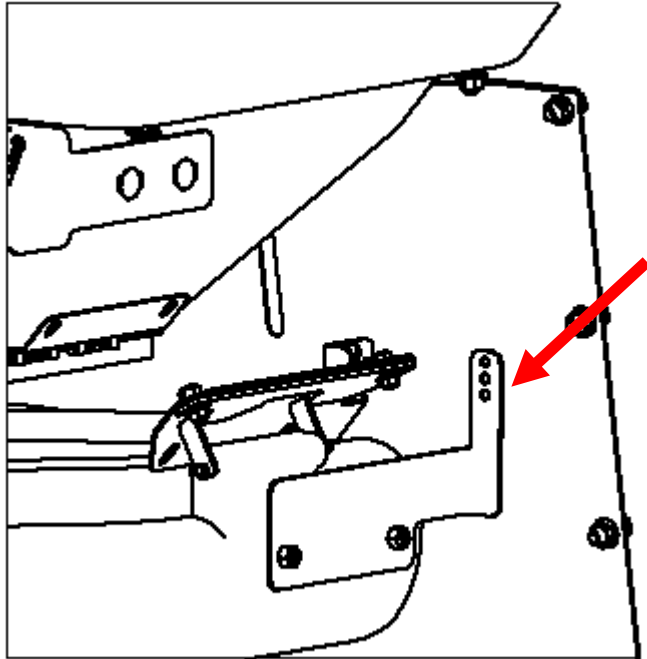
## SIDE DEFLECTOR ASSEMBLY



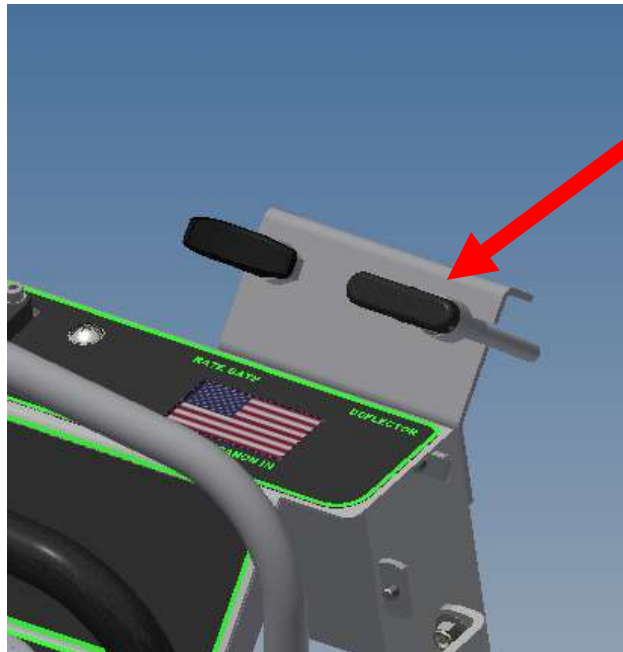
PARTS LIST			
ITEM	QTY	PART NUMBER	DESCRIPTION
1	6	HFNC5-38S	HEX FLANGE NUT - 3/8-16
2	3	HFSSC-381	HEX FLANGE BOLT, SS - 3/8-16 x 1
3	1	D71016	CABLE, SIDE DEFLECTOR/DIFFUSER
4	1	D71005	BALL JOINT
5	2	CB-381SS	CARRIAGE BOLT, SS - 3/8-16 x 1
6	1	SSNC-38	NYLOCK, SS - 3/8-16
7	1	FWSS-38	FLAT WASHER, SS - 3/8
8	1	SSNC-10	NYLOCK, SS - 10-32
9	2	FSW-10	FLAT WASHER, SS - 10-32
10	1	R21-110	DEFLECTOR MOUNT BRACKET
11	1	R21-109	SIDE DEFLECTOR

## SIDE DEFLECTOR REPLACEMENT INSTRUCTIONS

**STEP ONE:** Disconnect and remove the deflector cable from the bracket.



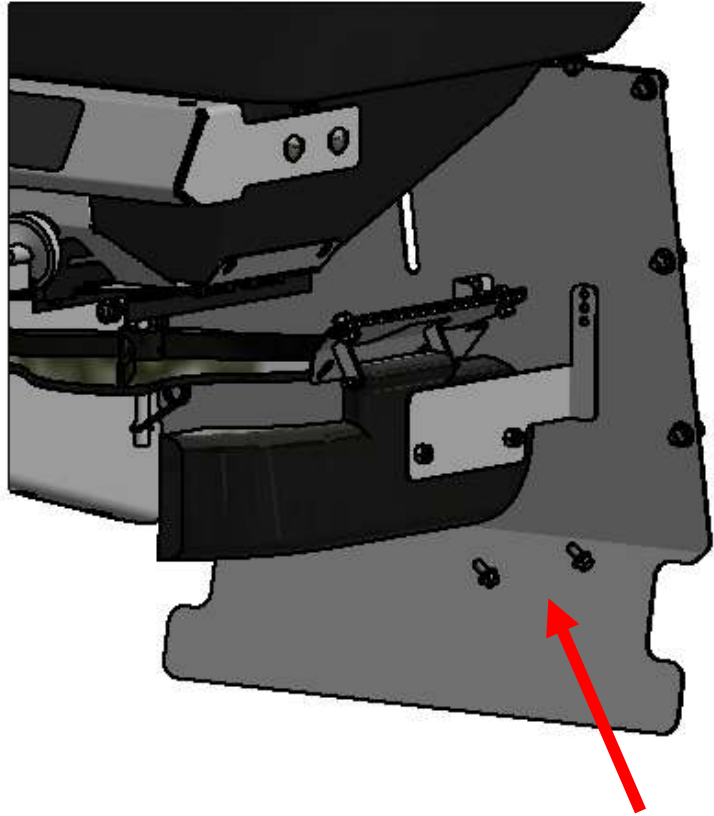
**STEP TWO:** Remove the deflector cable from the dash panel.



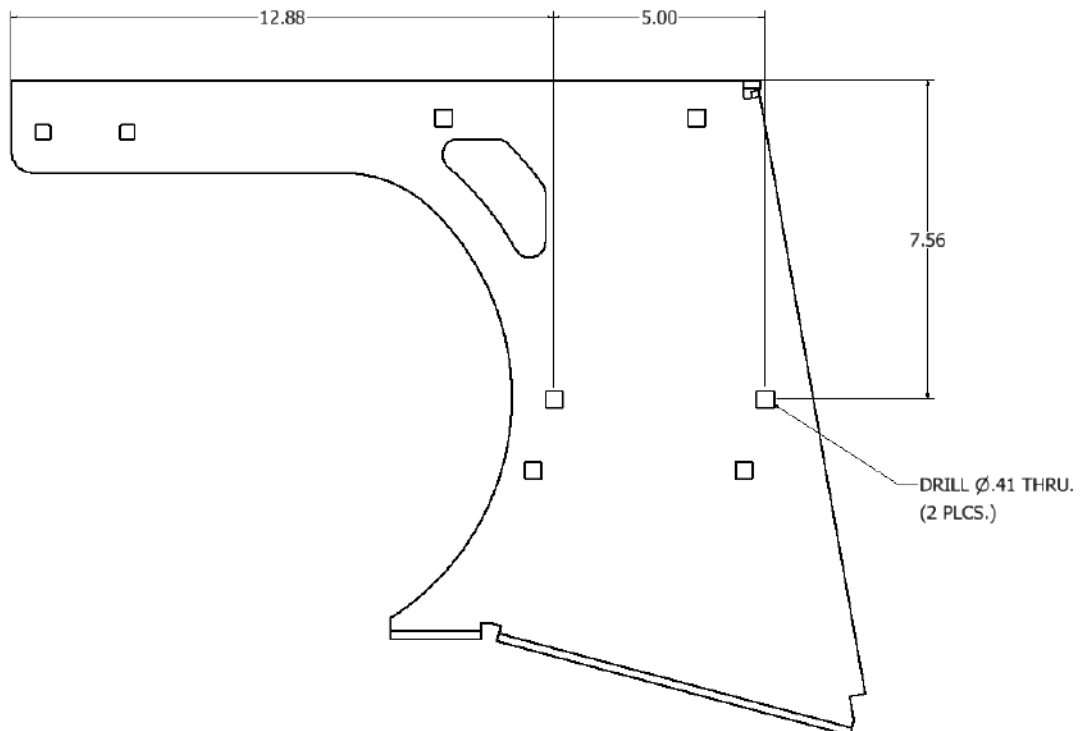
## SIDE DEFLECTOR REPLACEMENT INSTRUCTIONS

**STEP THREE:** Remove the side deflector assembly.

**NOTE:** Side panel hidden for clarity.



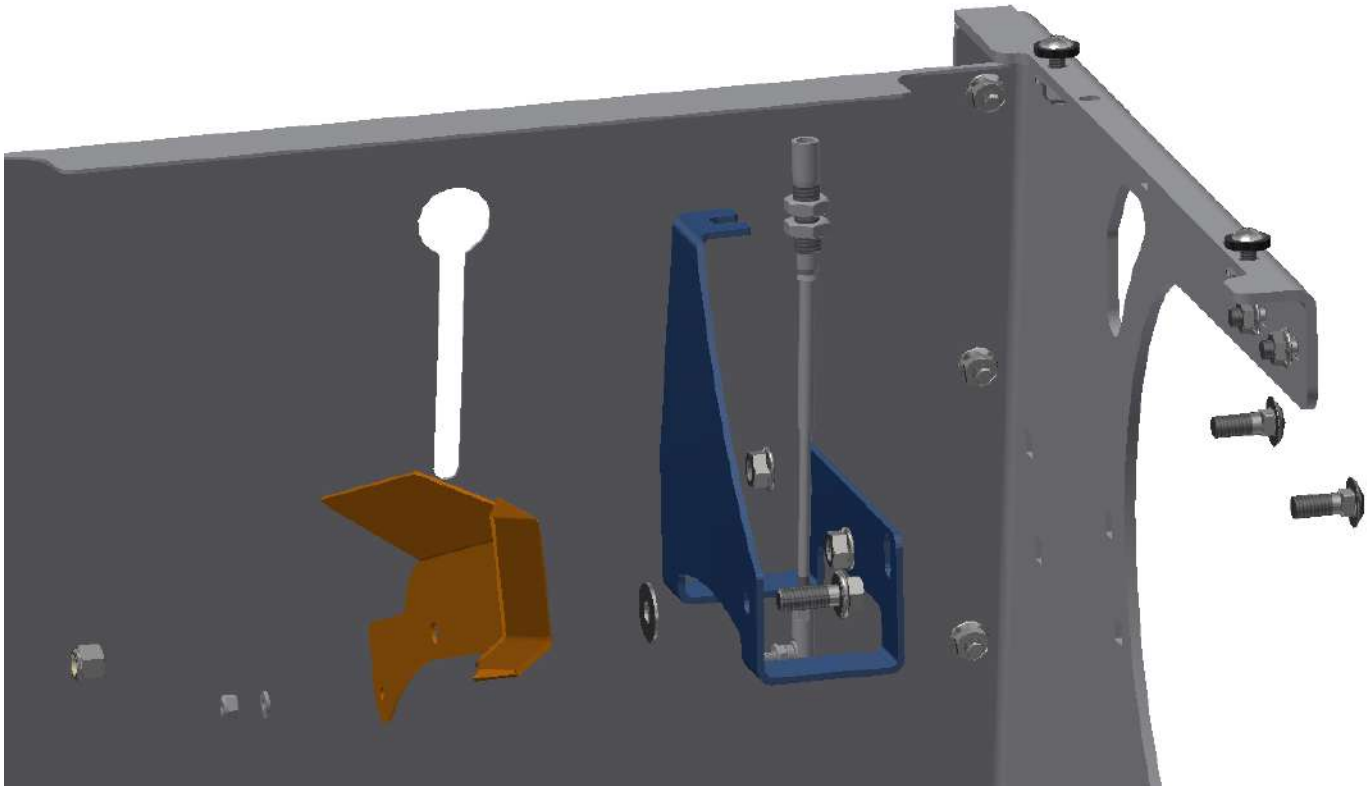
**STEP FOUR:** Drill two mounting holes in the left side panel as shown.



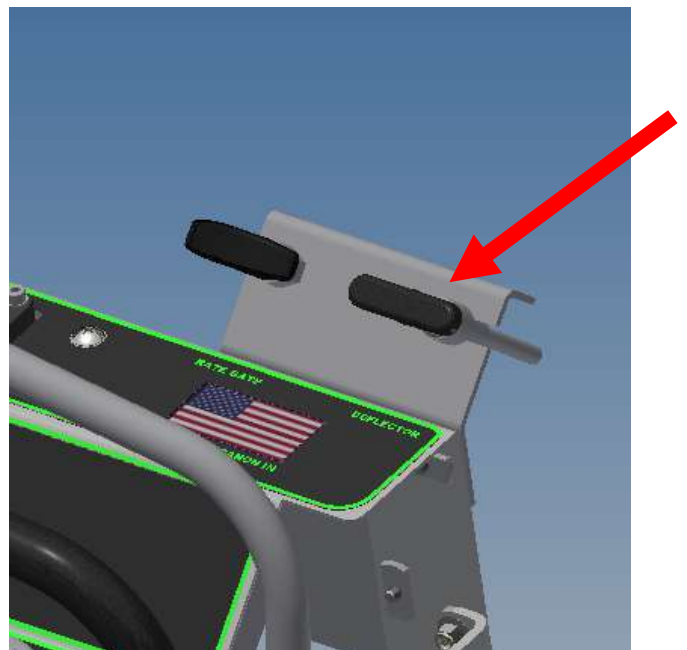
## SIDE DEFLECTOR REPLACEMENT INSTRUCTIONS

**STEP FIVE:** Assemble the new side deflector and cable.

*NOTE: Parts are hidden and shown in color for clarity.*



**STEP SIX:** Attach the new cable to the dash panel.





Steel Green Mfg.  
824 S State Road 39  
Lebanon, IN 46052  
(765)-481-2890  
[www.steelgreenmfg.com](http://www.steelgreenmfg.com)

MANUAL PART NO.	MANUAL REV.	DESCRIPTION
SGM-033	B	SG SIDE DEFLECTOR REPLACEMENT