

INSTRUCTION MANUAL

STEEL RATE DIAL OPTION

Models: SG36, SG42, SG46, & SG52

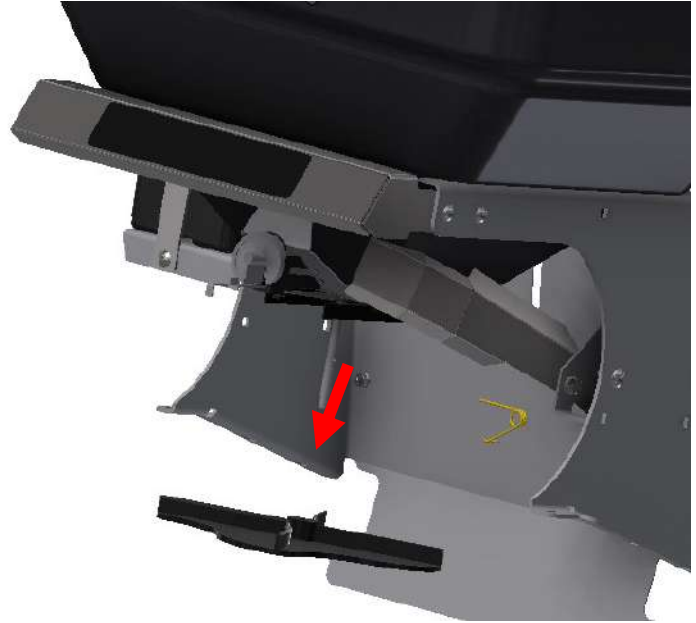


RATE DIAL INSTALL INSTRUCTIONS

STEP ONE: Remove the clip and spinner.

CAUTION!

Be sure the hopper is empty before starting the following steps.



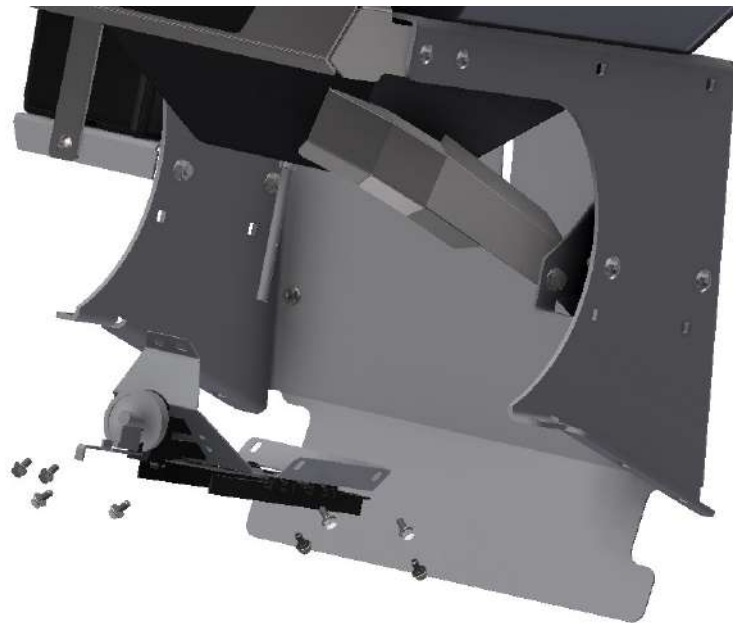
NOTE: Holes will need to be drilled in gate frame. Step 2 is optional, the gate assembly is silicone to the hopper tub. It will have to be re-silicone if removed.

WARNING!

If you choose to leave the assembly attached to the tub, place a piece of wood between the frame and hopper tub to keep from drilling through the hopper tub.

STEP TWO:

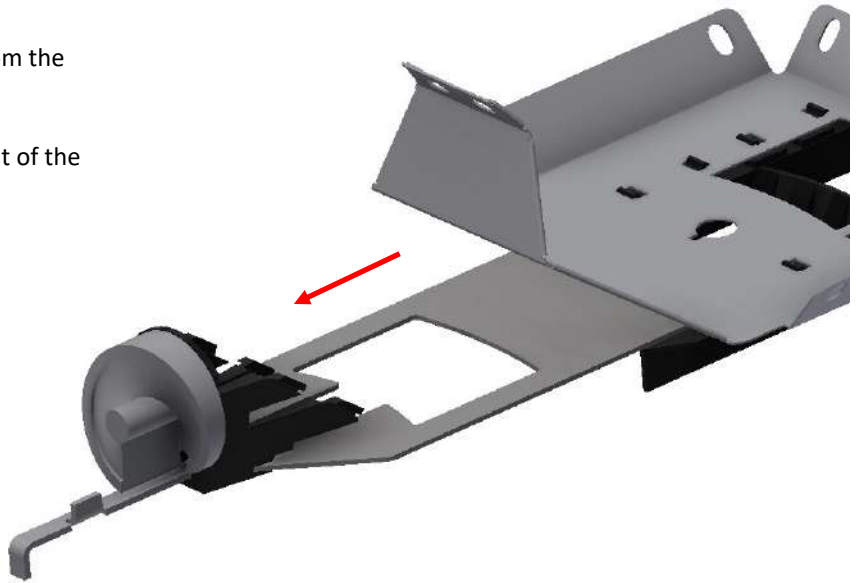
- Disconnect the gate and diffuser cable.
- Remove the (8) bolts and remove the gate assembly from the hopper tub.



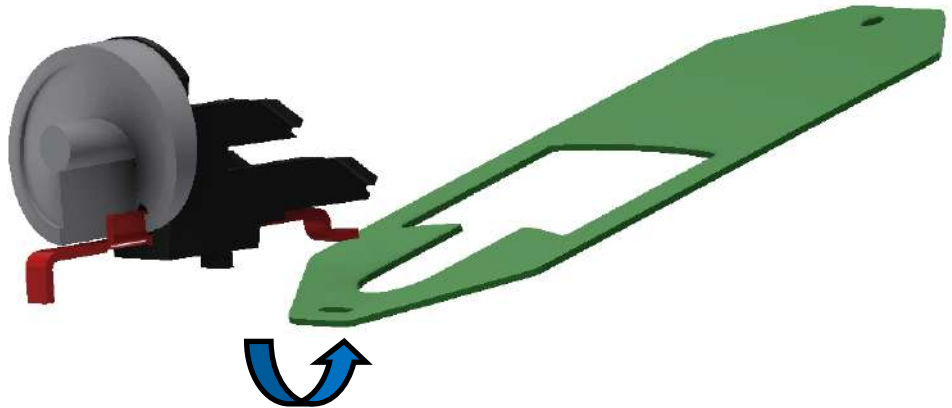
RATE DIAL INSTALL INSTRUCTIONS

STEP THREE:

- Squeeze the rate dial to disconnect it from the gate assembly.
- Slide the rate dial along with the gate out of the frame.



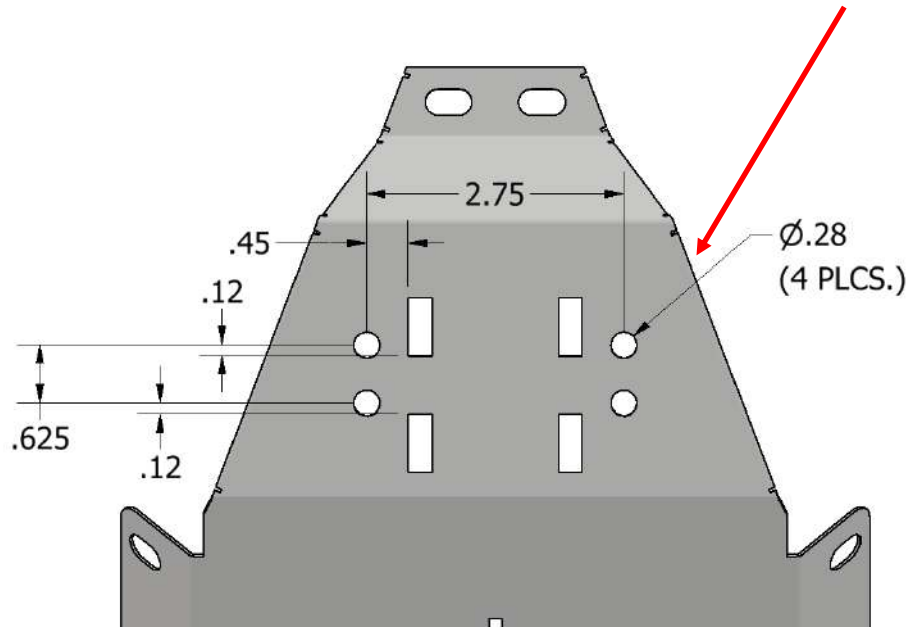
STEP FOUR: Disconnect the gate from the guide.



RATE DIAL INSTALL INSTRUCTIONS

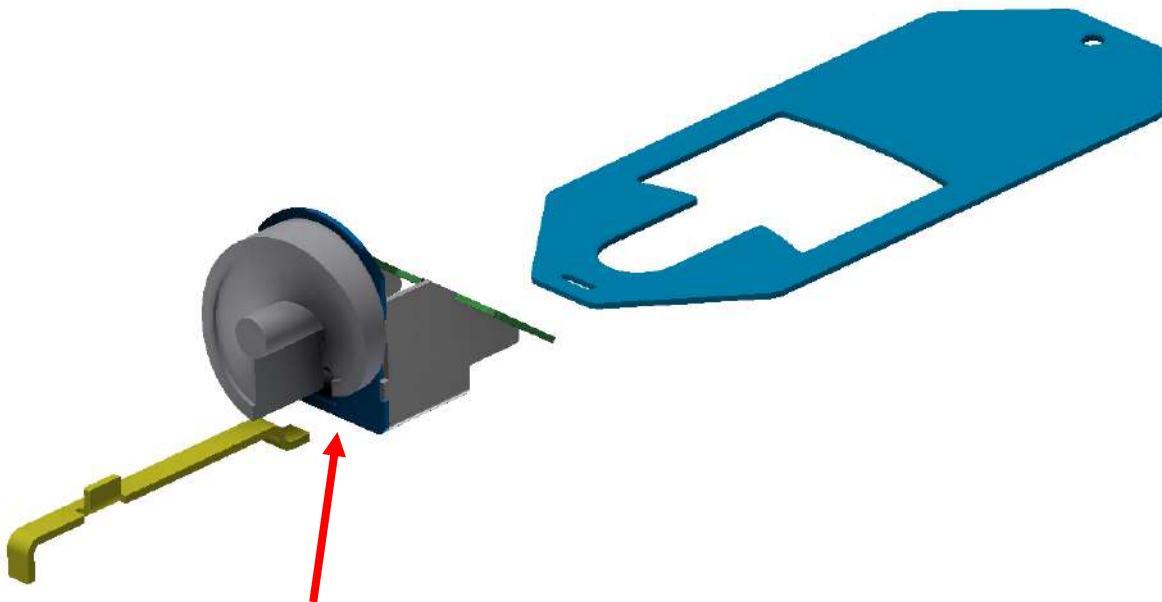
STEP FIVE: Use the templet provided with the kit and drill the (4) holes as show. *Drawing in manual for ref. ONLY, not to scale.*

Use a piece of wood between the plate and tub if left assembled.



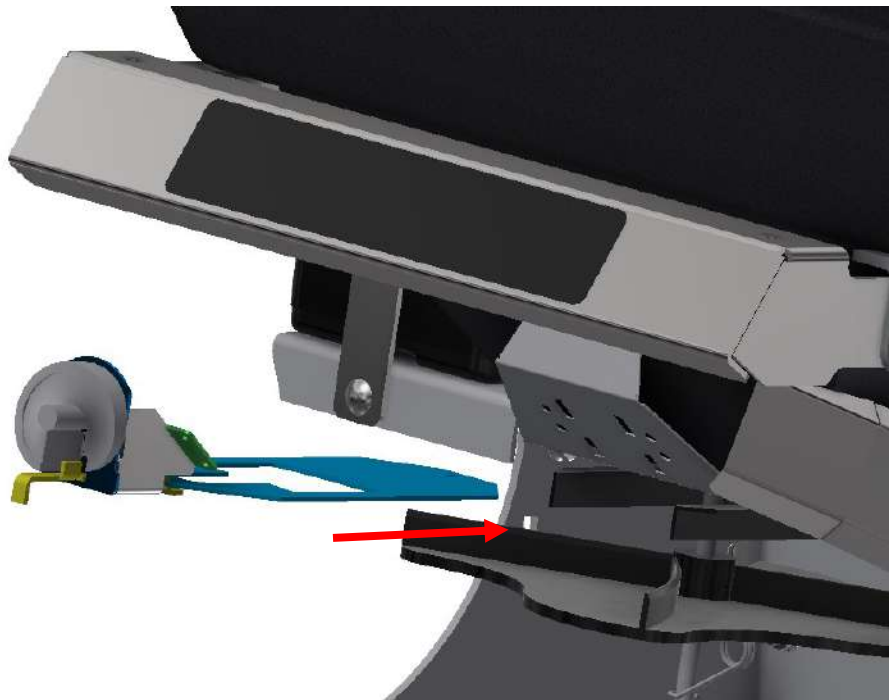
STEP SIX:

- Insert the guide through the opening of the rate dial provided with the kit.
- Reattach the gate to the guide.



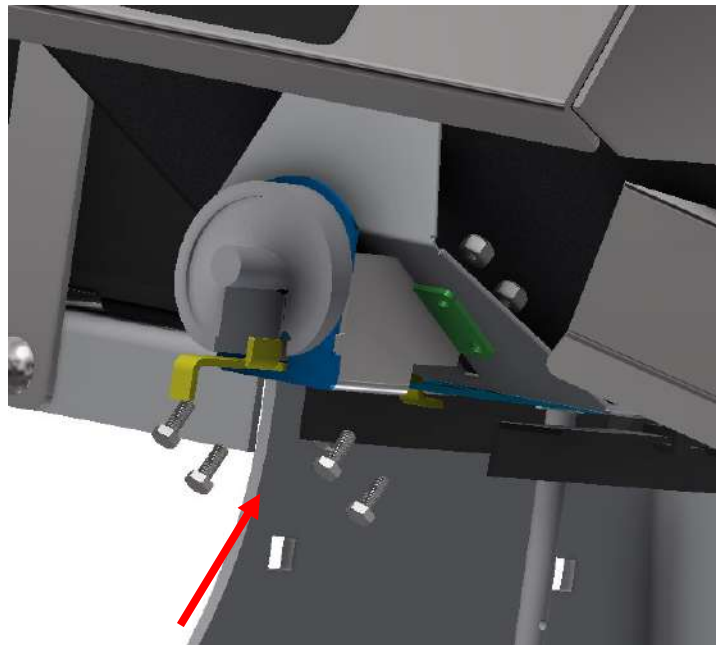
RATE DIAL INSTALL INSTRUCTIONS

STEP SEVEN: Slide the rate dial assembly back into the frame.



STEP EIGHT:

- Attach the rate dial to the frame with the (4) 1/4" X 1/2" bolts & (4) 1/4" nylock nuts provided with the kit.

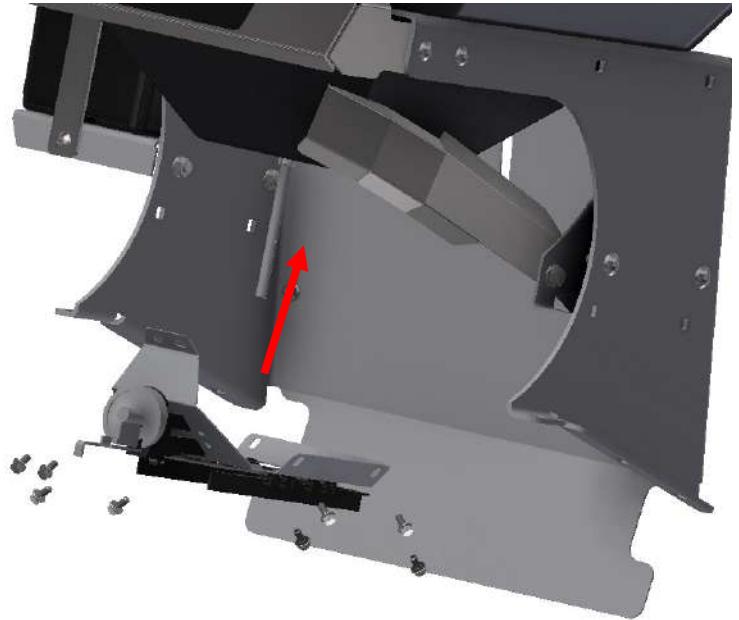


RATE DIAL INSTALL INSTRUCTIONS

- *Re attach the assembly to the hopper tub if it was removed.*

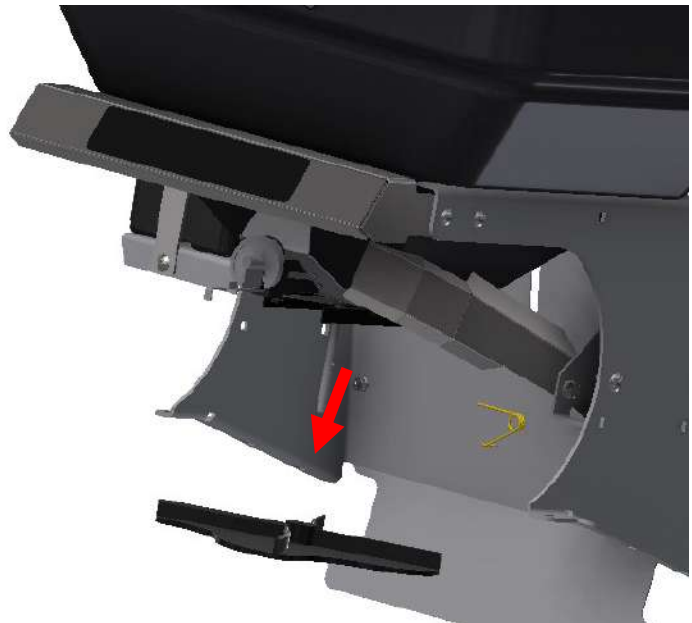
NOTE: *Be sure to re-silicone between the rate dial assembly and hopper tub.*

- *Re connect the gate and diffuser cables.*



STEP NINE:

- *Re attach the spinner and clip.*



RATE DIAL INSTALL INSTRUCTIONS

NOTES:



Steel Green Mfg.
824 S State Road 39
Lebanon, IN 46052
(765)-481-2890
www.steelgreenmfg.com

MANUAL PART NO.	MANUAL REV.	DESCRIPTION	KIT PART NO.
SGM-036	B	SG STEEL RATE DIAL OPTION	