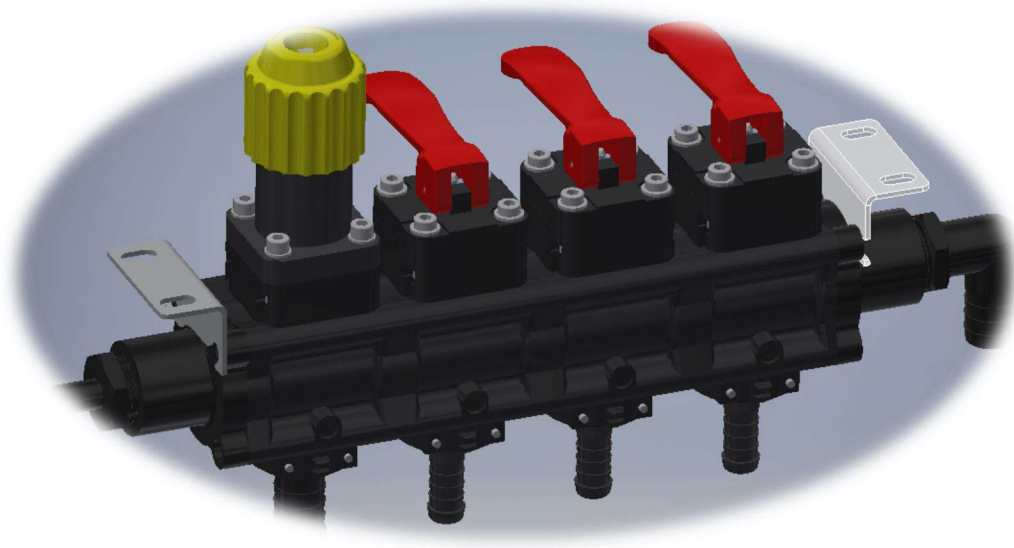


INSTRUCTION MANUAL

VALVE REPLACEMENT

Models: SG36, SG42, SG46, & SG52



VALVE REPLACEMENT INSTRUCTIONS

STEP ONE: Disconnect the battery, *ground* first and then *power* wire.



GROUND

POWER

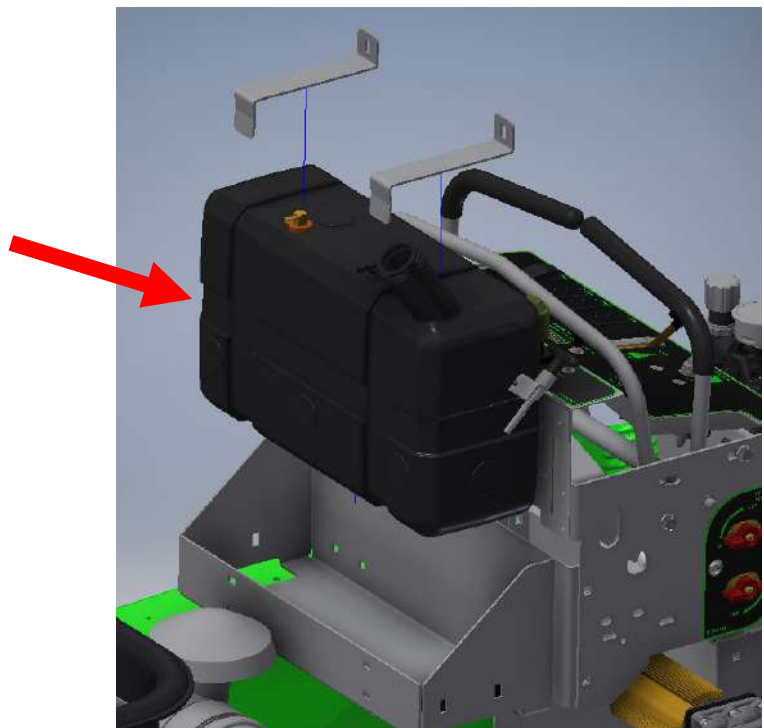
STEP TWO: Disconnect and remove the fuel tank.

CAUTION!

- Beware of excess fuel in the lines.
- Fuel spillage.

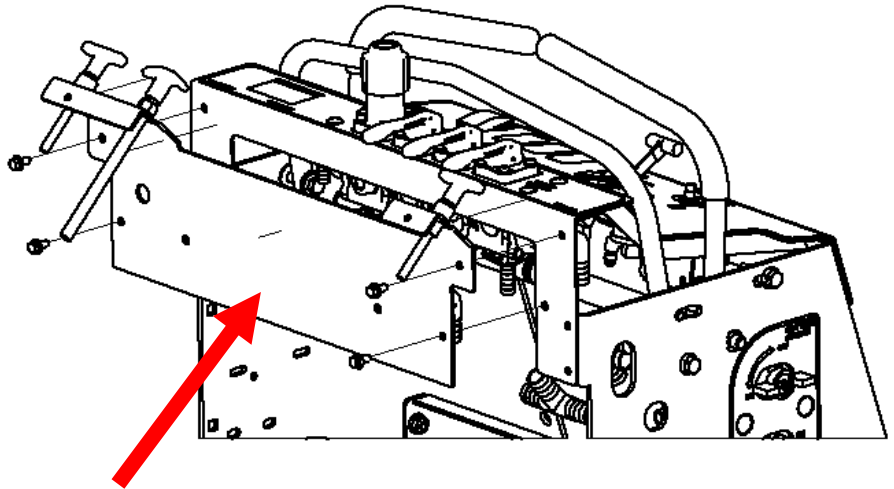
WARNING!

- Flammable gas.



VALVE REPLACEMENT INSTRUCTIONS

STEP THREE: Remove the rear dash panel.



STEP FOUR:

- Option one: If you wish to completely remove the manifold assembly and replace the valve on a bench, disconnect all the hoses from the manifold assembly.

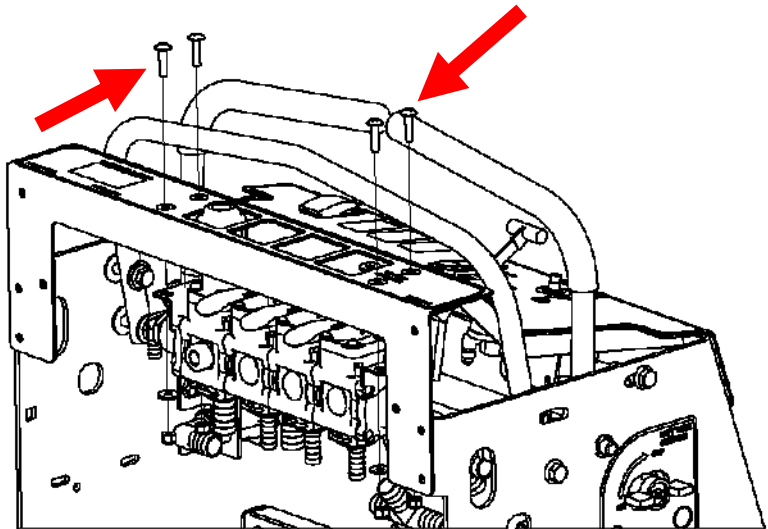
-Option two: If you wish to replace the valve while still attached to the sprayer, disconnect the hose from the *valve only*. Once the top bolts are removed you can replace valve as shown in *fig. 1* with out completely removing the assembly.



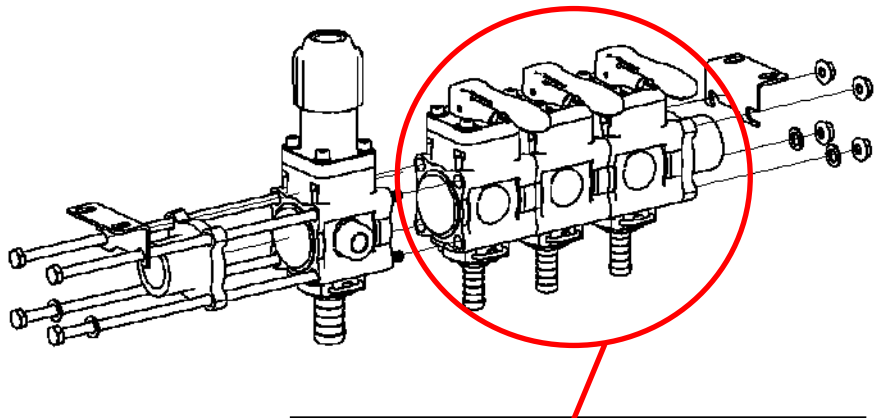
Fig. 1

VALVE REPLACEMENT INSTRUCTIONS

STEP FIVE: Remove the top bolts to free the spray manifold.



STEP SIX: Remove four bolts to disassemble the spray manifold.

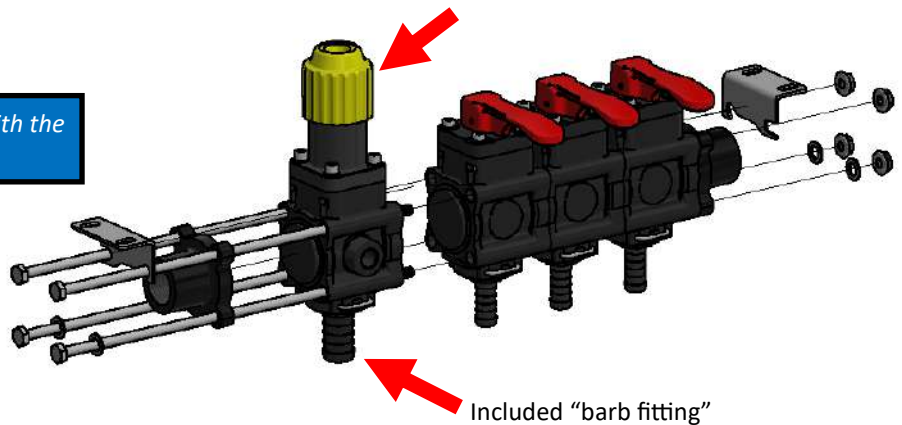


Assembly Tip

Before Starting step six, zip tie or tape the rest of the assembly together to keep it from coming apart.

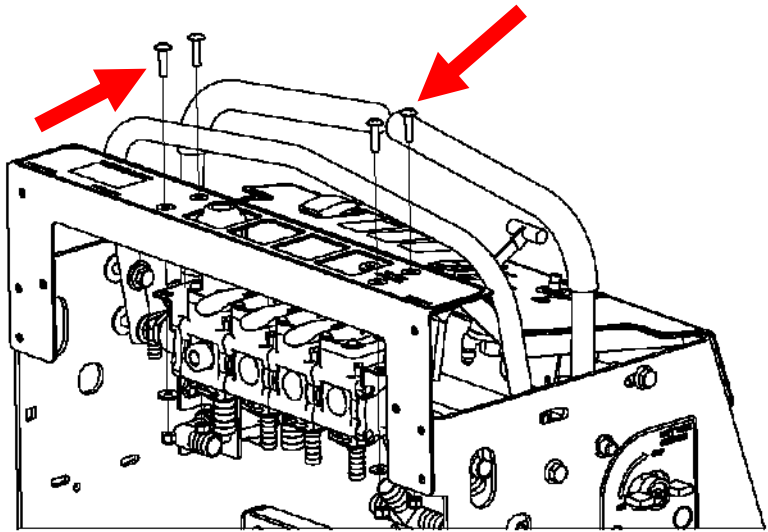
STEP SEVEN: Switch out the old valve with the new *Yellow knob S463071 valve*. and reassemble the manifold.

NOTE: Be sure and replace the new valve with the included "barb fitting".

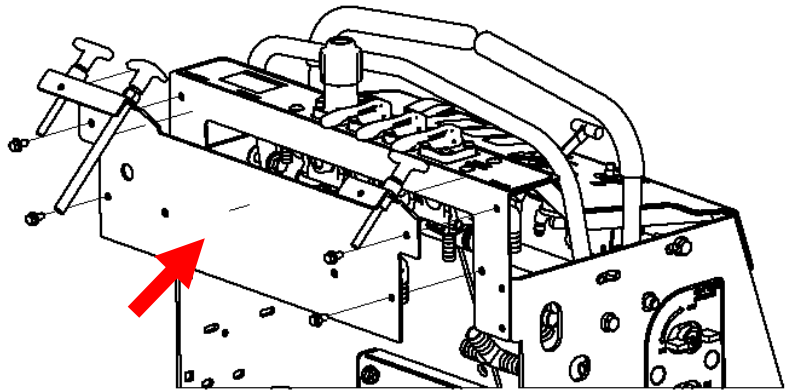


VALVE REPLACEMENT INSTRUCTIONS

STEP EIGHT: Reinstall the spray manifold assembly to the dash.

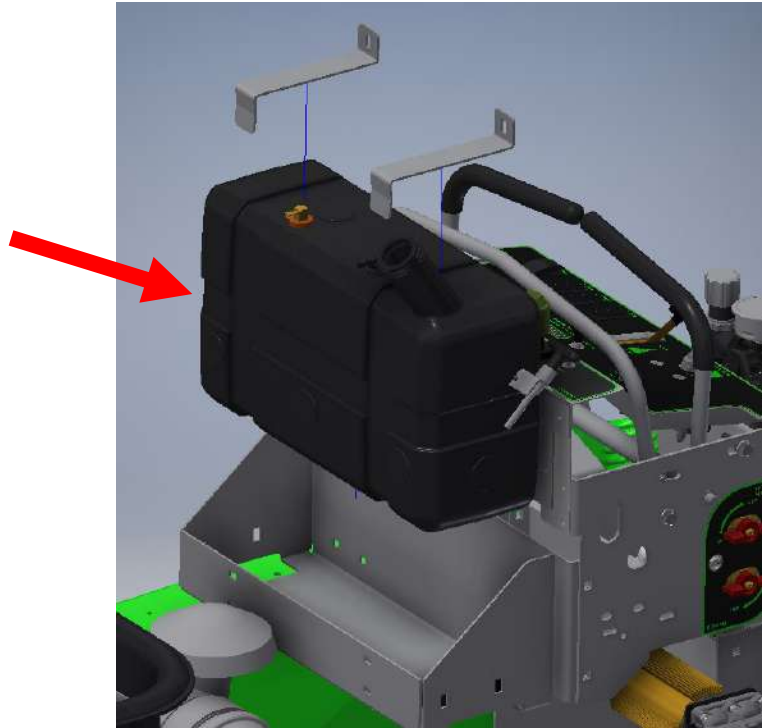


STEP NINE: Reinstall the rear dash panel.



VALVE REPLACEMENT INSTRUCTIONS

STEP TEN: Reinstall the fuel tank.



STEP ELEVEN: Reconnect the battery, *power* wire first and then *ground*.



GROUND

POWER



MADE IN THE USA

Steel Green Mfg.
824 S State Road 39
Lebanon, IN 46052
(765)-481-2890
www.steelgreenmfg.com

MANUAL PART NO.	MANUAL REV.	DESCRIPTION	KIT PART NO.
SGM-037	B	SG VALVE REPLACEMENT	S463071