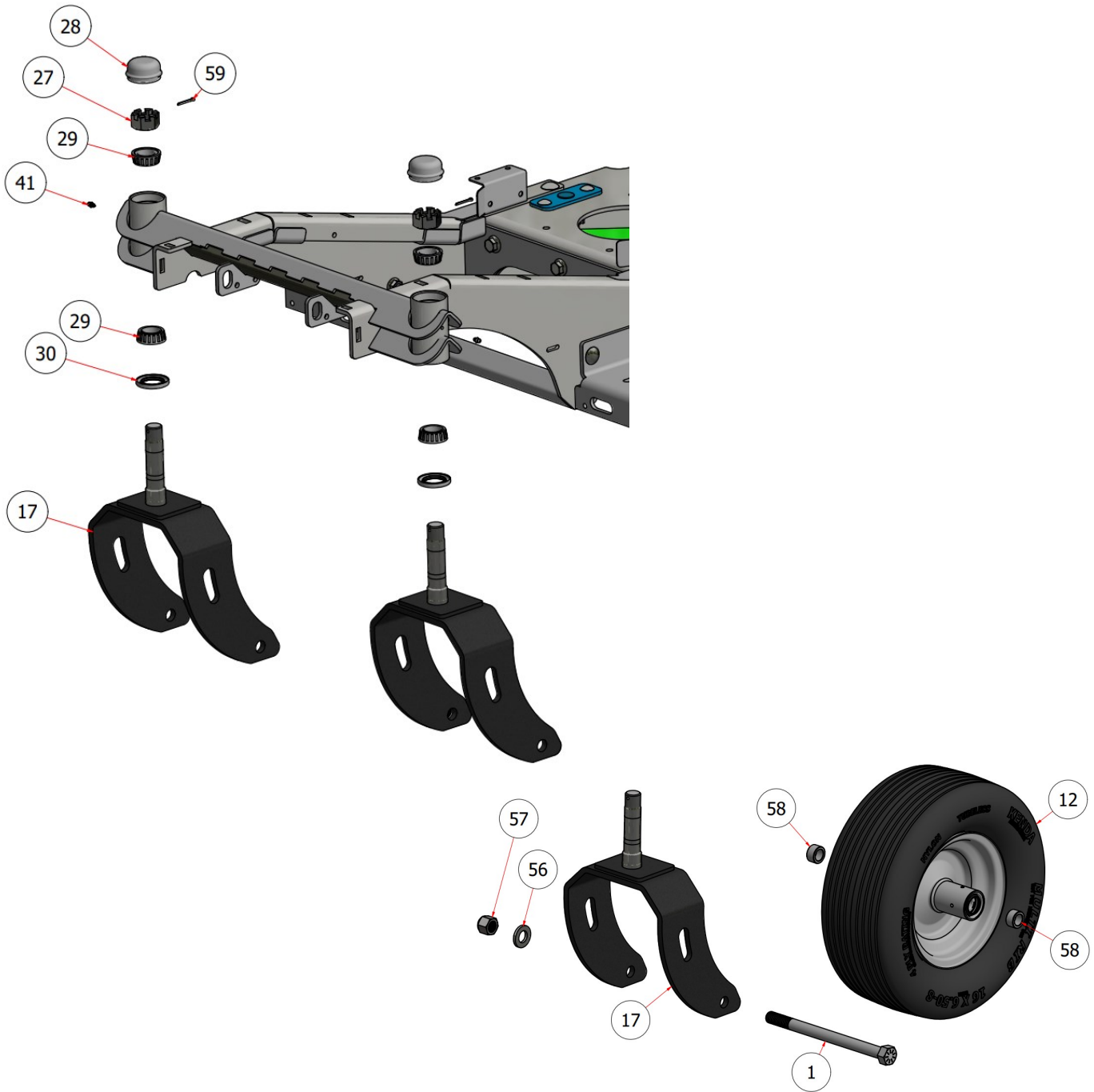


CASTER ASSEMBLY



17	2	W21-022	YOKE, FRONT TIRE
27	2	T90313	HEX NUT, SLOTTED
28	2	T90306	METAL DUST CAP
29	4	T90308	BEARING, SPINDLE
30	2	T90302	SEAL, SPINDLE
41	3	6F-316D	GREASE FITTING
59	2	CPSS 532X112	STEEL COTTER PIN

1	2	HHCS5-3410	AXLE BOLT - 3/4-10 x 10
12	2	T90019	FRONT TIRE
56	2	FWSS-34	FLAT WASHER, SS - 3/4
57	2	SSNNC-34	NYLOCK, SS - 3/4-10
58	4	T90315	BUSHING, FRONT WHEEL

EXPLODED VIEW		
PART NO.	REV.	DESCRIPTION
SGEV-004	A	CASTER ASSEMBLY