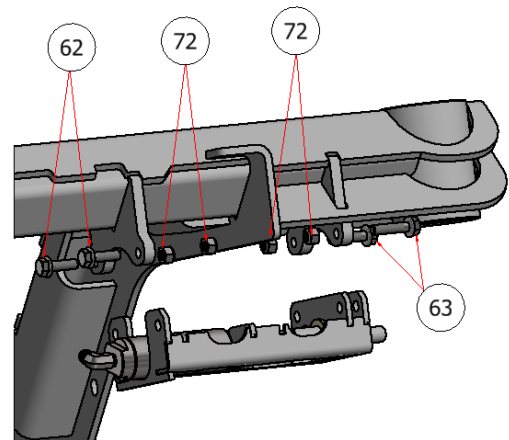
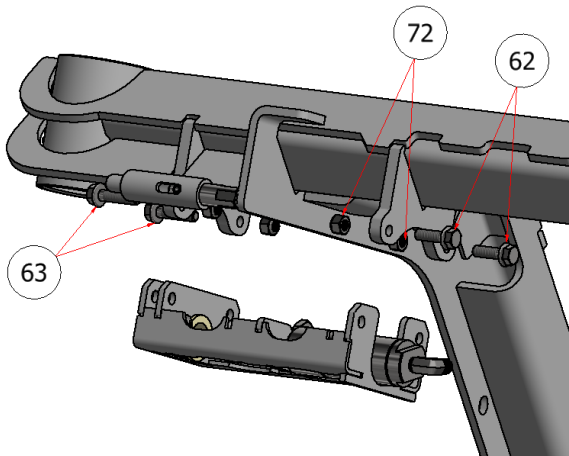


RIGHT SIDE

LEFT SIDE



PARTS LIST			
ITEM	QTY	PART NUMBER	DESCRIPTION
51	2	8876T43	NYLON CLAMP
58	2	HFSSC-145	HEX FLANGE BOLT, SS - 1/4-20 x 1/2
62	4	HFSSC-3131	HEX FLANGE BOLT, SS - 5/16 X 1
63	4	HFSSC-516114	HEX FLANGE BOLT, SS - 5/16 X 1-1/4
72	10	SSNC-516	NYLOCK, SS - 5/16-18

EXPLODED VIEW		
PART NO.	REV.	DESCRIPTION
SGXLEV-036	A	CHASIS ASSEMBLY 15 SGXL