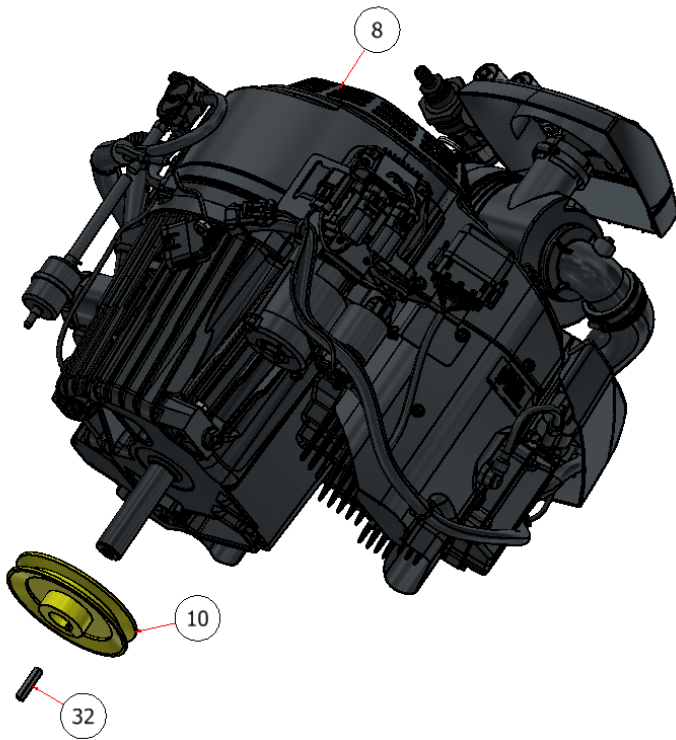
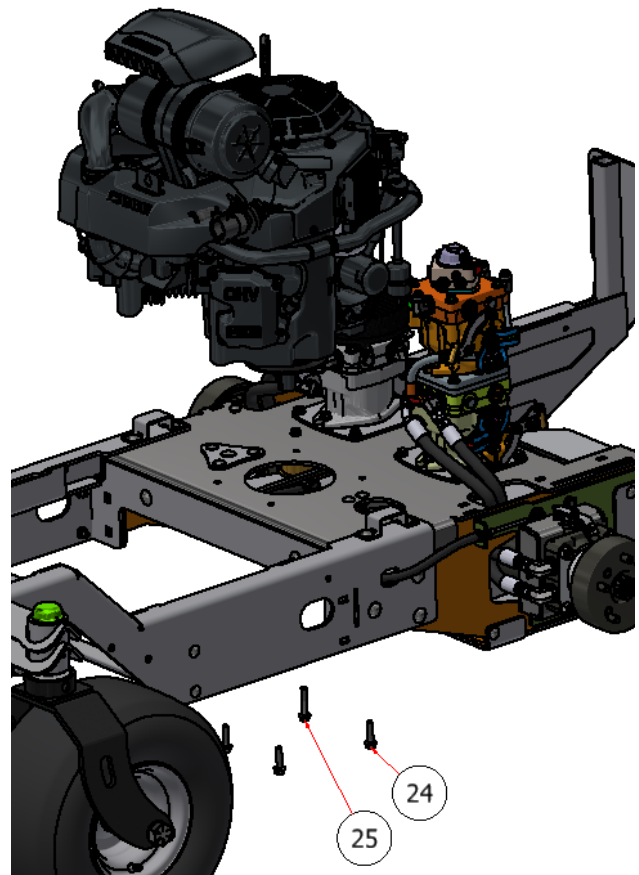


**CHASIS ASSEMBLY 18 SGXL**



PARTS LIST			
ITEM	QTY	PART NUMBER	DESCRIPTION
8	5	FWSS-516	FLAT WASHER, 5/16
10	1	H82007	PULLY, ENGINE
32	1	KS-14X14X1.5	KEY, 1/4 X 1/4 X 1-1/2

PARTS LIST			
ITEM	QTY	PART NUMBER	DESCRIPTION
24	3	HFSSC-3815	HEX FLANGE BOLT, 3/8 X 1.5
25	1	HFSSC-382	HEX BOLT, 3/8 X 2



EXPLODED VIEW		
PART NO.	REV.	DESCRIPTION
SGXLEV-039	A	CHASIS ASSEMBLY 18 SGXL