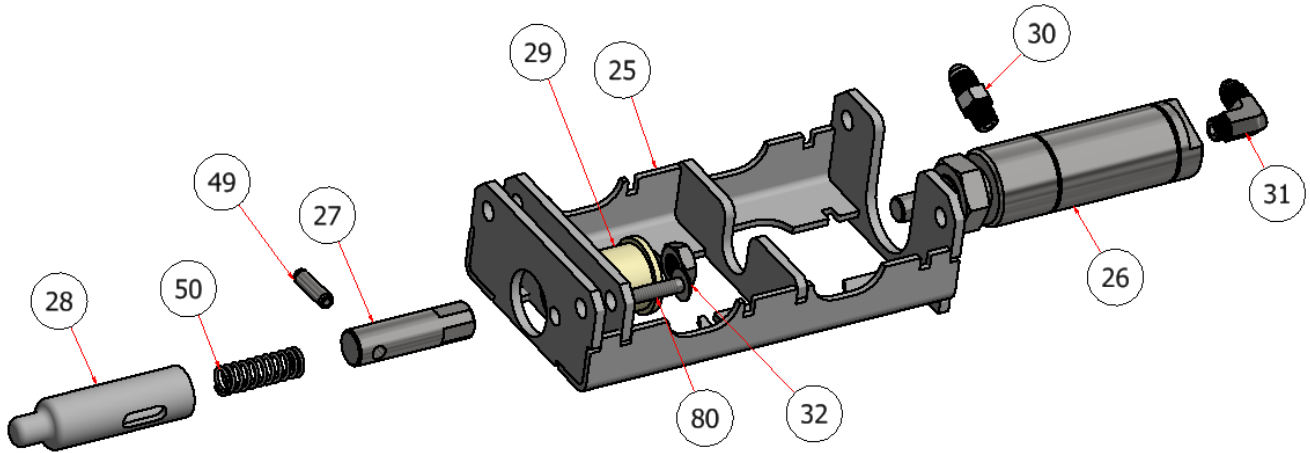
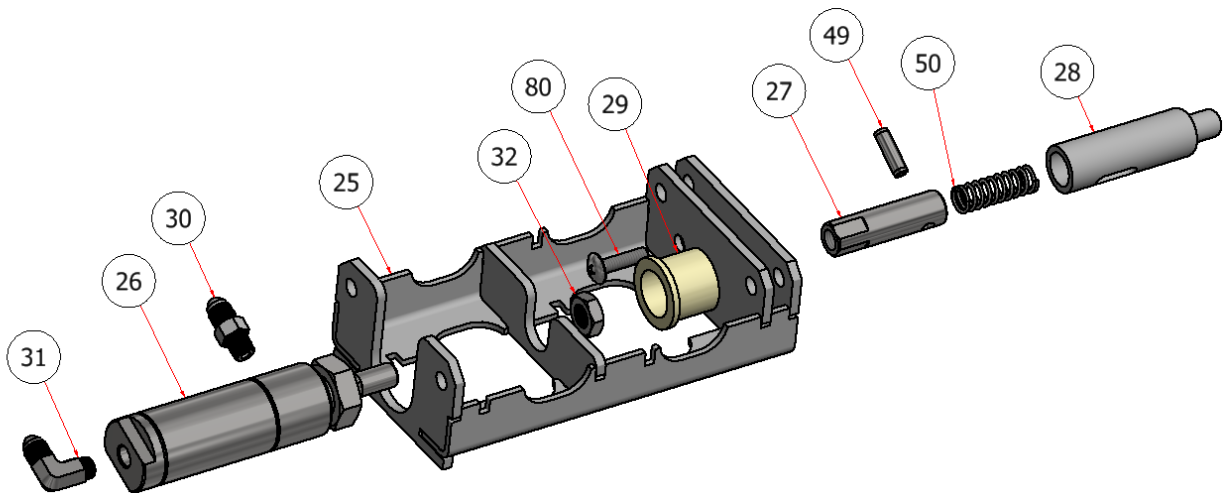


RIGHT SIDE



LEFT SIDE



PARTS LIST

ITEM	QTY	PART NUMBER	DESCRIPTION
25	2	W23-099	SUPPORT, HILL SIDE ASSIST, SGXL
26	2	H80601	CYLINDER, CASTER LOCK
28	2	R31027	SPRING PIN, HILL ASSIST
29	2	6389K557	7/8" NYLON SLEEVE, BEARING, STRAIGHT STEER
30	2	50695K161	37 DEGREE FLARED FITTING FOR STEEL TUBING
31	2	50715K181	TYPE 316 SS 37 DEGREE FLARED TUBE FITTING
32	2	91847A515	7/16-20 JAM NUT
49	2	92373A367	1/4 X 7/8 SS ROLL PIN
50	2	965K352	1.5 X .5 OD COMPRESSION SPRING
80	2	TRPC-141S	PHILLIPS SCREW, SS - 1/4-20 x 1

EXPLODED VIEW		
PART NO.	REV.	DESCRIPTION
SGXLEV-026	A	CHASIS ASSEMBLY 5 SGXL