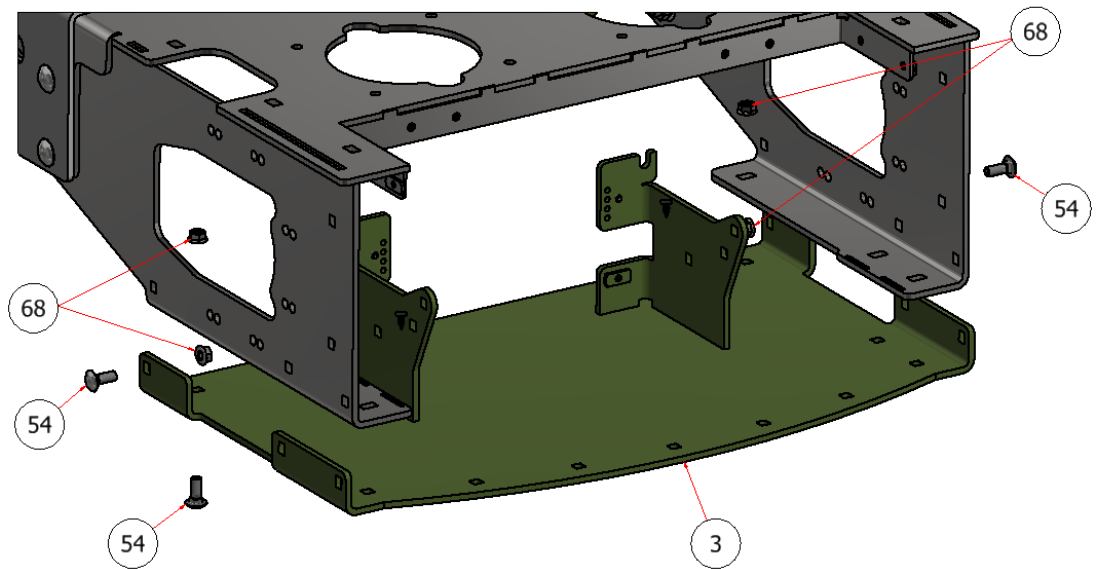
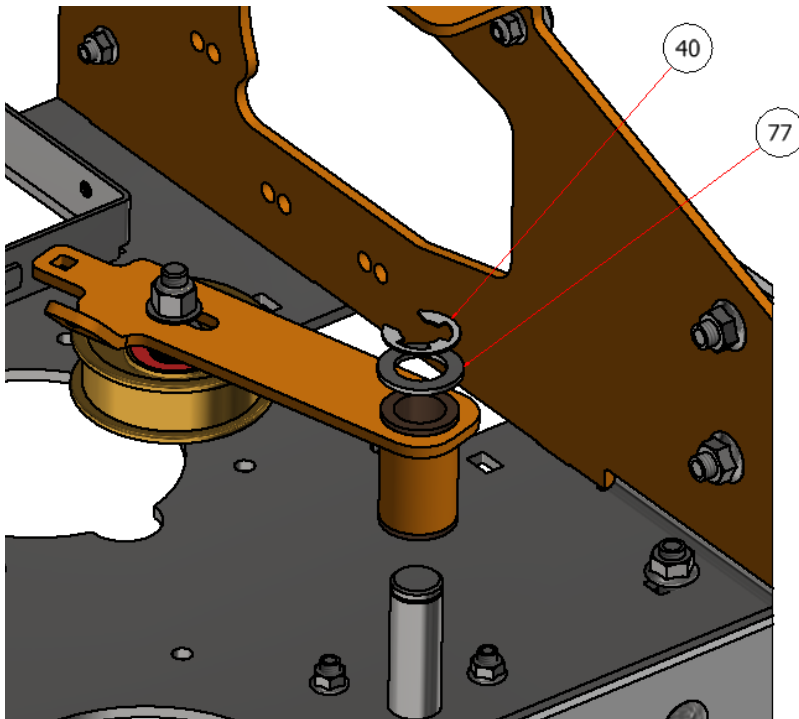


CHASIS ASSEMBLY 8 SGXL



EXPLODED VIEW		
PART NO.	REV.	DESCRIPTION
SGXLEV-029	A	CHASIS ASSEMBLY 8 SGXL

PARTS LIST			
ITEM	QTY	PART NUMBER	DESCRIPTION
3	1	W23-021	CHASIS, BOTTOM PAN, SGXL
40	1	ECSS-098	SNAP RING
54	11	CB-381SS	CARRIAGE BOLT, SS - 3/8-16 x 1
68	49	HFNCS-38S	HEX FLANGE NUT, SS - 3/8-16
77	1	SHJN-1-14	FLAT WASHER, SS - 1