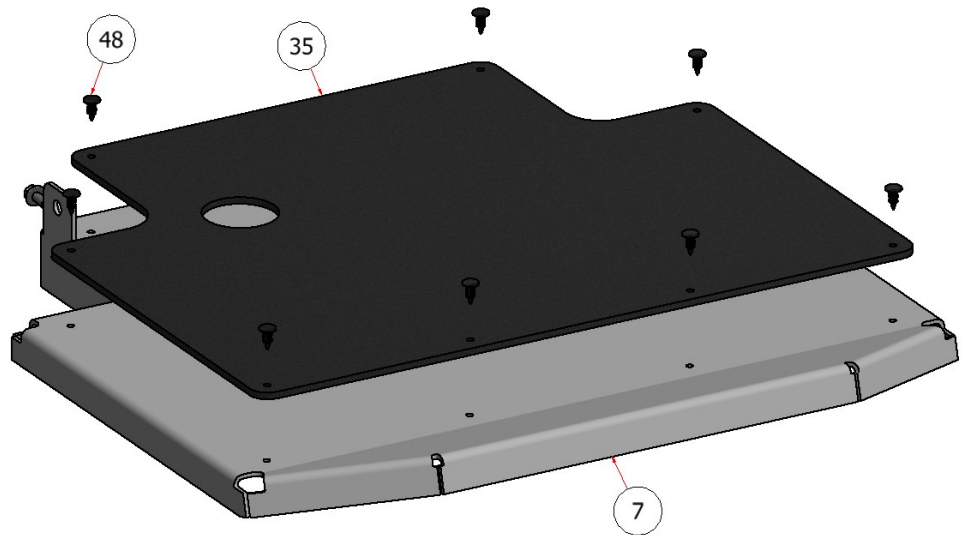
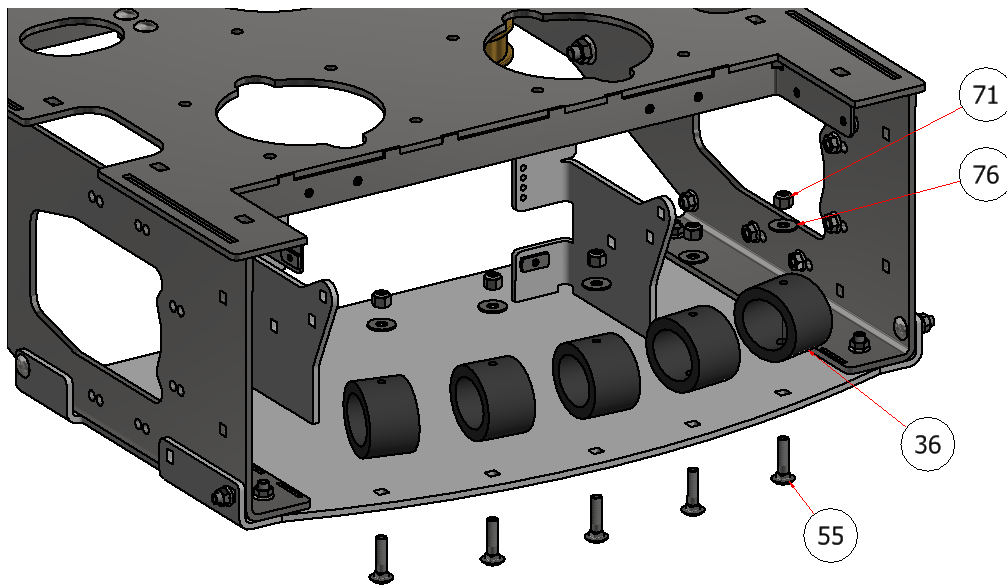


**CHASIS ASSEMBLY 9 SGXL**



**PARTS LIST**

ITEM	QTY	PART NUMBER	DESCRIPTION
7	1	W23-023	FOOT BOARD, SGXL
35	1	C60319	PAD, FOOT BOARD
36	5	C60366	CUSHION, FOOT BOARD
48	8	C60302	PIN, FOOT BOARD CUSHION
55	5	CB-37515SS	CARRIAGE BOLT, 3/8 X 1-1/2
71	7	SSNNC-38	NYLOCK, SS - 3/8-16
76	11	FWSS-38	FLAT WASHER, SS - 3/8

EXPLODED VIEW		
PART NO.	REV.	DESCRIPTION
SGXLEV-030	A	CHASIS ASSEMBLY 9 SGXL