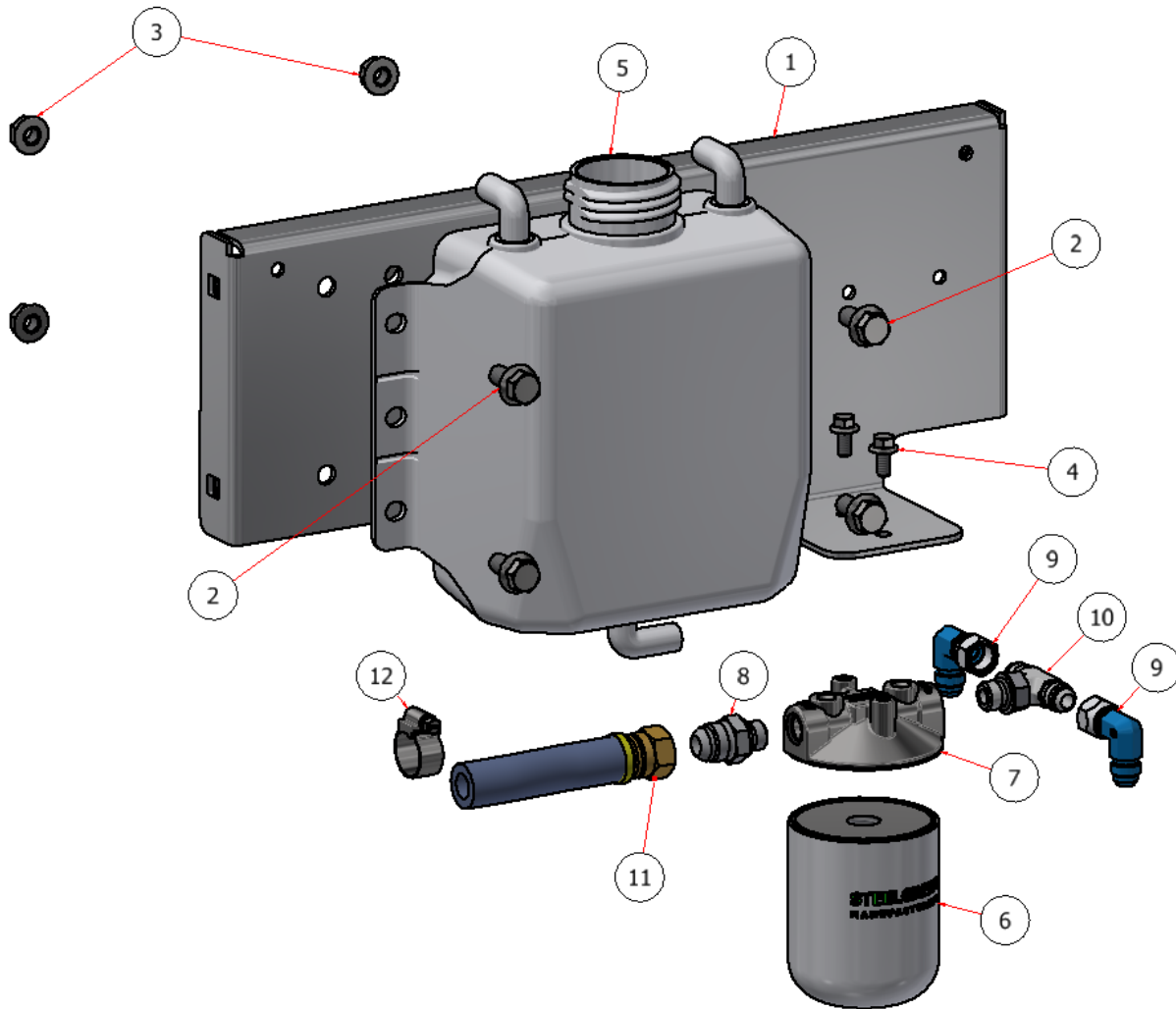


CROSS MEMBER SG36 ASSEMBLY



PARTS LIST

| ITEM | QTY | PART NUMBER | DESCRIPTION |
|------|-----|-------------|------------------------------------|
| 1 | 1 | R21-092 | CROSS MEMBER, UPRIGHT SG36 |
| 2 | 4 | HFSSC-3875 | HEX BOLT, 3/8 X 3/4 |
| 3 | 14 | HFNSC-38S | HEX FLANGE NUT, SS - 3/8-16 |
| 4 | 2 | HFSSC-145 | HEX FLANGE BOLT, SS - 1/4-20 x 1/2 |
| 5 | 1 | M10003 | TANK, HYDRAULIC SG SERIES |
| 6 | 1 | H80404 | OIL FILTER, HYDRAULIC |
| 7 | 1 | H80405 | OIL FILTER HOUSING |
| 8 | 1 | H84019 | 1/2 M JIC X 3/8 ORB STG. |
| 9 | 2 | H84010 | 3/8 M JIC X 3/8 JIC 90 SWIVEL |
| 10 | 1 | H84022 | 3/8 ORB X 3/8 M JIC TEE |
| 11 | 1 | 30682-8-8b | 3/8 FJIC X 3/8 BARB HOSE FITTING |
| 12 | 3 | MS4 | HOSE CLAMP, 3/8 |

EXPLODED VIEW

| PART NO. | REV. | DESCRIPTION |
|----------|------|----------------------------|
| SGEV-007 | A | CROSS MEMBER SG36 ASSEMBLY |