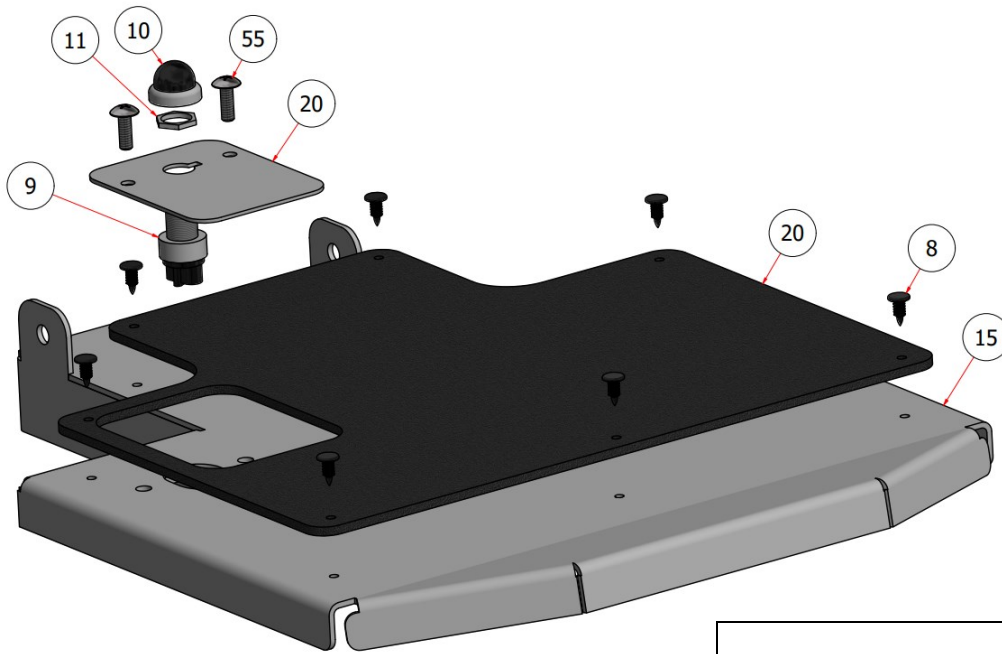
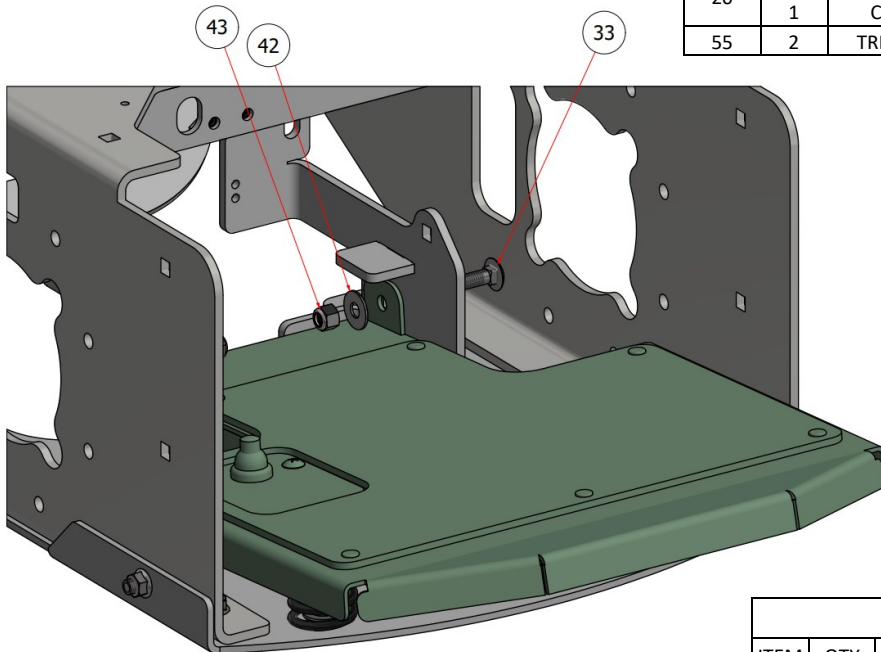


**FOOT BOARD ASSEMBLY**



PARTS LIST			
ITEM	QTY	PART NUMBER	DESCRIPTION
8	7	C60302	FOOT PAD PIN
9	1	E40204	BUTTON, FOOT SWITCH
10	1	E40204	CAP, FOOT SWITCH
11	1	E40204	NUT, FOOT SWITCH
15	1	W21-087	FOOT BOARD SG36/42
	1	W21-013	FOOT BOARD SG46/52
20	1	C60301	FOOT PAD SG36/42
	1	C60300	FOOT PAD SG46/52
55	2	TRPC-141S	PHILLIPS SCREW, SS - 1/4-20 x 1



PARTS LIST			
ITEM	QTY	PART NUMBER	DESCRIPTION
33	19	CB-381SS	CARRIAGE BOLT, SS - 3/8-16 x 1
42	5	FWSS-38	FLAT WASHER, SS - 3/8
43	5	SSNNC-38	NYLOCK, SS - 3/8-16

EXPLODED VIEW		
PART NO.	REV.	DESCRIPTION
SGEV-025	A	FOOT BOARD ASSEMBLY