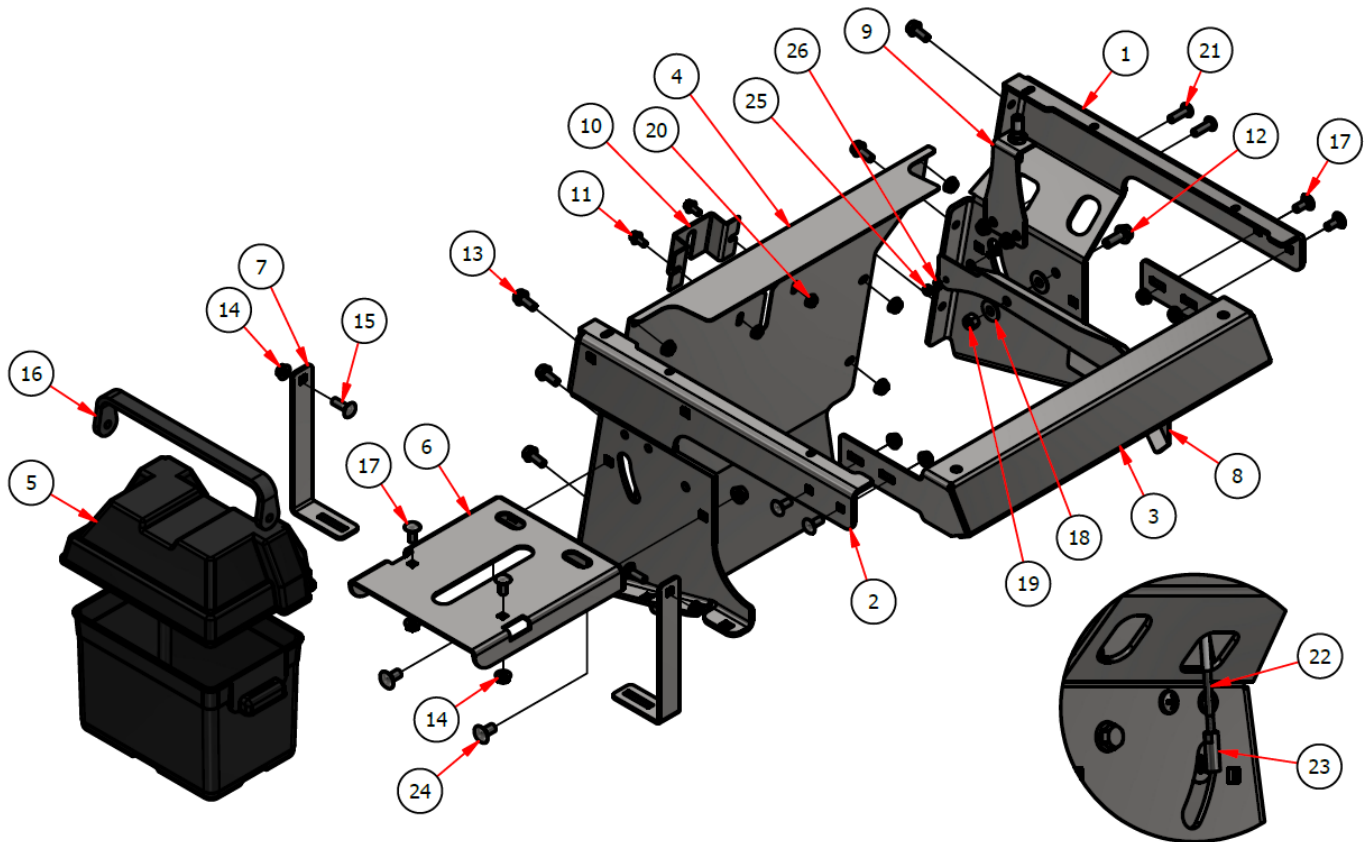


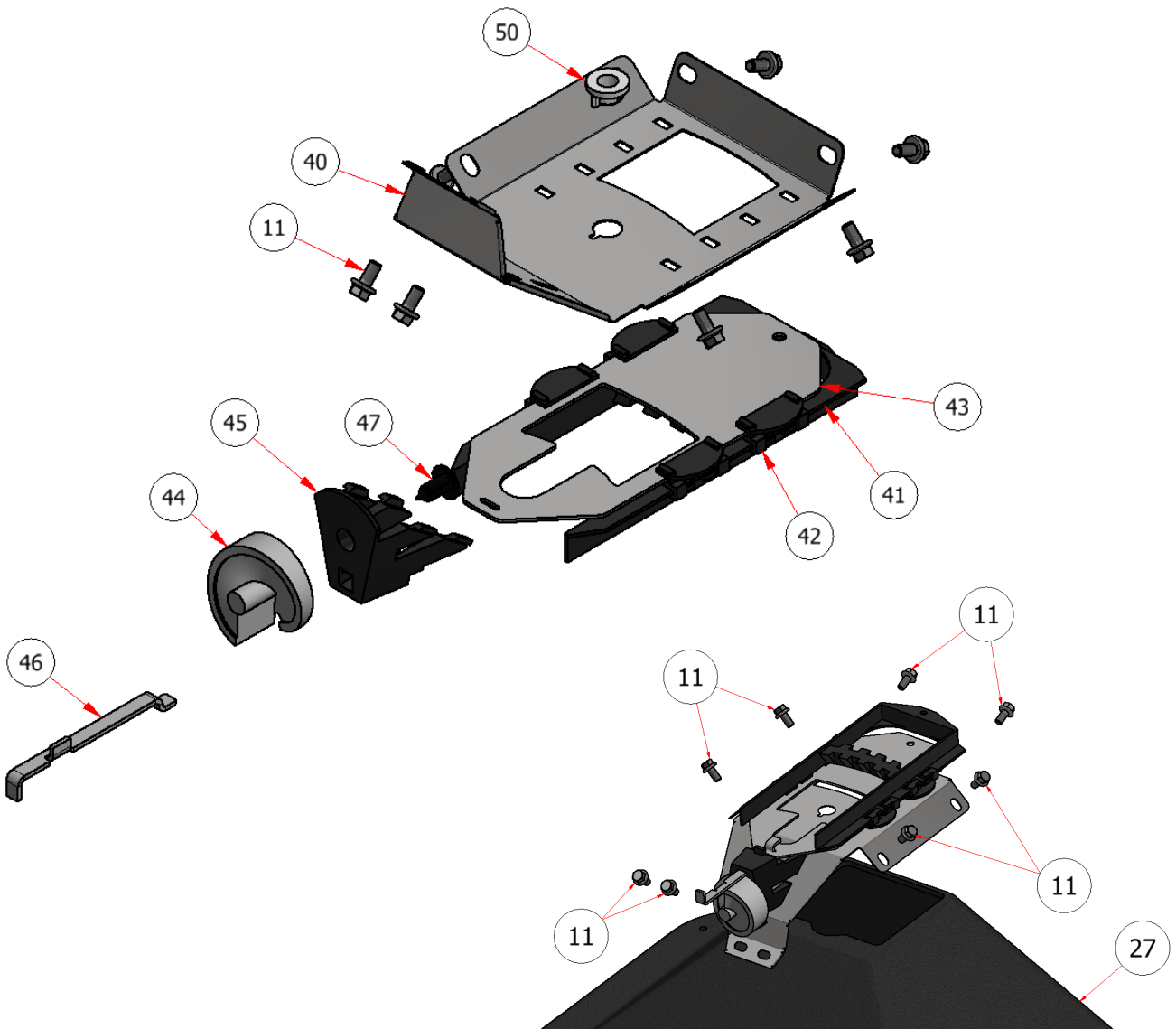
HOPPER ASSEMBLY



PARTS LIST			
ITEM	QTY	PART NUMBER	DESCRIPTION
1	1	R21-095	PANNEL, SIDE, 125 HOPPER, LEFT
	1	R21-043	PANNEL, SIDE, 220 HOPPER, LEFT
2	1	R21-095-R	PANNEL, SIDE, 125 HOPPER, RIGHT
	1	R21-043-R	PANNEL, SIDE, 220 HOPPER, RIGHT
3	1	R21-044	CROSS MEMBER, FRONT
4	1	R21-096	REAR PANNEL, 125 HOPPER
		R21-045	REAR PANNEL, 220 HOPPER
5	1	E40002	BATTERY BOX
6	1	R21-097	SUPPORT, BATTERY BOX 125 HOPPER
	1	R21-041	SUPPORT, BATTERY BOX 220 HOPPER
7	2	R21-042	BRACKET, BATTERY
8	1	R21-109	SIDE, DEFLECTOR
9	1	R21-111	BRACKET, SIDE DEFLECTOR CABLE, 125 HOPPER
	1	R21-110	BRACKET, SIDE DEFLECTOR CABLE, 220 HOPPER

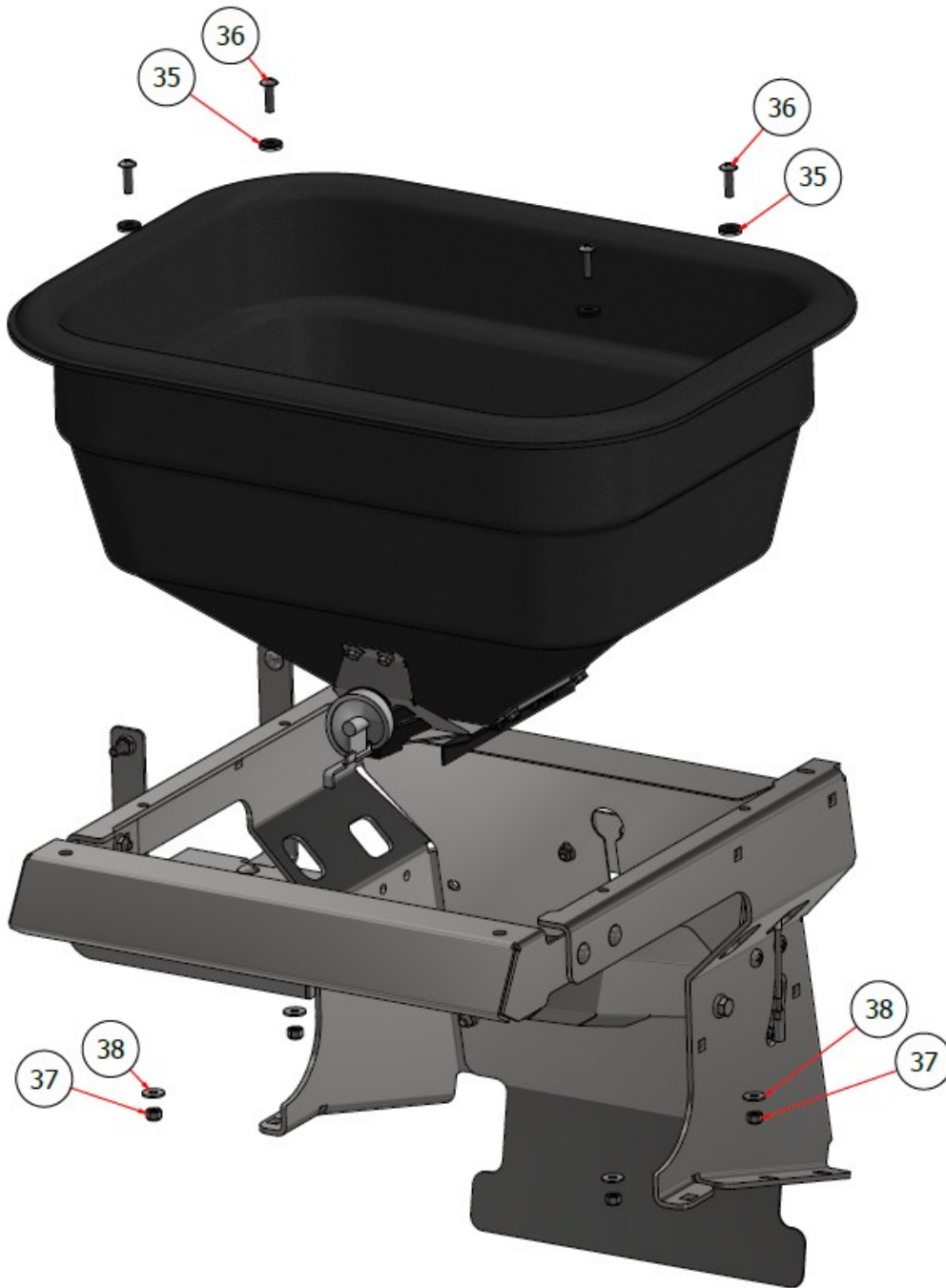
PARTS LIST			
ITEM	QTY	PART NUMBER	DESCRIPTION
10	1	R21-107	BRACKET, HOPPER CABLE
11	14	HFSSC-145	HEX FLANGE BOLT, SS - 1/4-20 x 1/2
12	3	HFSSC-381	HEX FLANGE BOLT, SS - 3/8-16 x 1
13	6	HFSSC-51634	HEX FLANGE BOLT, SS - 5/16-18 x 3/4
14	16	HFNCS-5165	HEX FLANGE NUT, SS - 5/16-18
15	2	CB-5161SS	CARRIAGE BOLT, SS - 5/16-18 x 1
16	1	TSR-10	STRAP, BATTERY
17	6	CB-51634	CARRIAGE BOLT, SS - 5/16-18 x 3/4
18	2	FWSS-38	FLAT WASHER, SS - 3/8
19	1	SSNNC-38	NYLOCK, SS - 3/8-16
20	2	SSHFN 0.25-20	HEX NUT, 1/4-20
21	2	TRPC-5161S	SCREW, PHILLIPS, 5/16 X 1
22	1	D71016	EXTENSION, THREADED
23	1	D71005	BALL JOINT
24	2	CB-3834SS	CARRIAGE BOLT, SS - 3/8-16 x 3/4
25	1	SS NYLOCK 10-32	HEX NUT, NYLOCK, 10-32SS
26	2	FSW-10	FLAT WASHER, SS-10

HOPPER ASSEMBLY



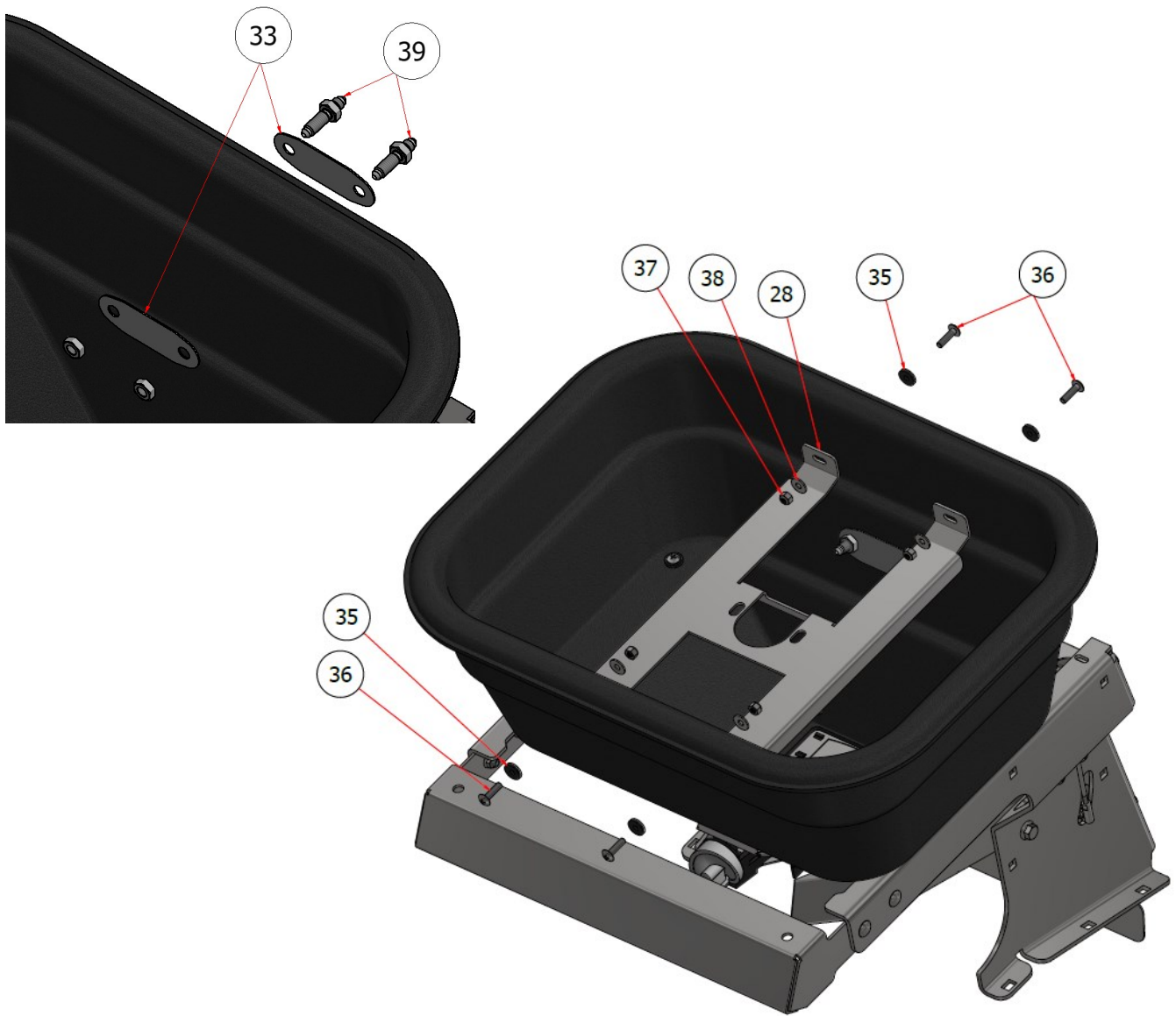
PARTS LIST			
ITEM	QTY	PART NUMBER	DESCRIPTION
11	14	HFSSC-145	HEX FLANGE BOLT, SS - 1/4-20 x 1/2
27	1	D70013	TUB, 120 HOPPER
	1	D70014	TUB, 220 HOPPER
40	1	D70009	BOTTOM, 120 HOPPER
	1	D70010	BOTTOM, 220 HOPPER
41	1	D70004	DIFFUSER
42	4	D70005	GUIDE, RATE GATE/DIFFUSER
43	1	D70025	DOOR, HOPPER
44	1	D70001	DIAL, RATE
45	1	D70002	HOLDER, DIAL
46	1	D70003	LINKAGE, RATE DIAL
47	1	D70016	CLIP, PINE TREE
50	1	D70008	BUSHING, HOPPER BOTTOM

HOPPER ASSEMBLY



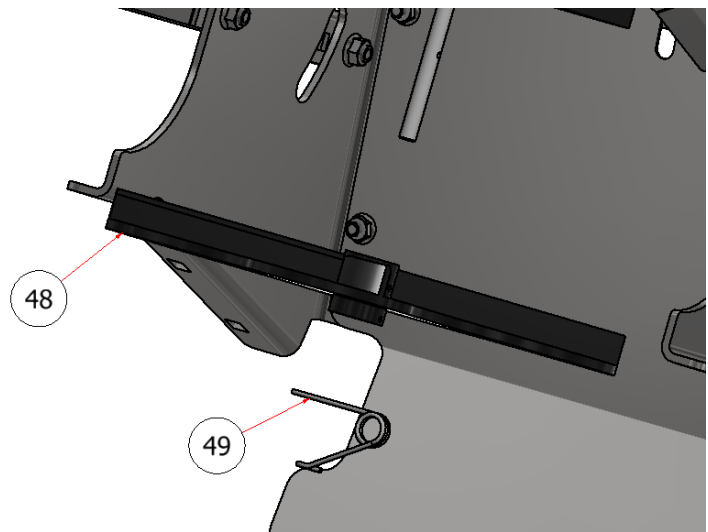
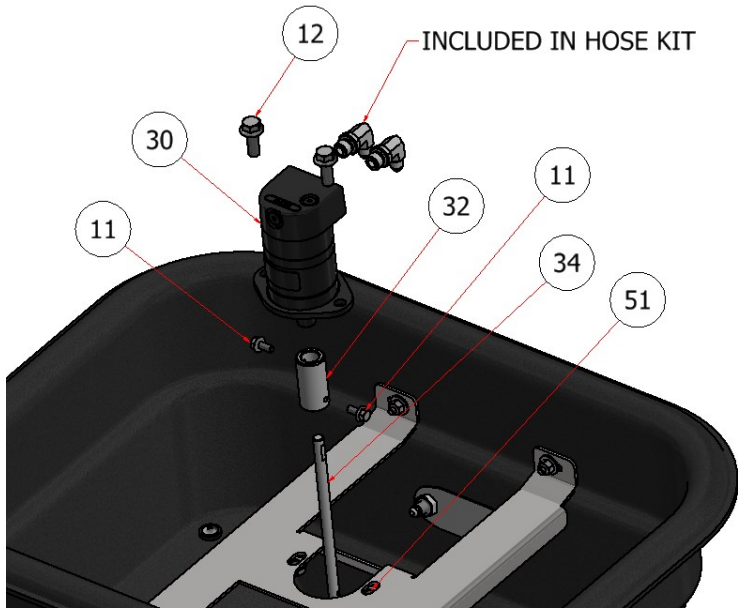
PARTS LIST			
ITEM	QTY	PART NUMBER	DESCRIPTION
35	8	NFW-14B	WASHER, PLASTIC
36	8	TRPC-141S	PHILLIPS SCREW, SS - 1/4-20 x 1
37	8	SSNNC-14	NYLOCK, SS - 1/4-20
38	8	FWSS-14	FLAT WASHER, SS - 1/4

HOPPER ASSEMBLY



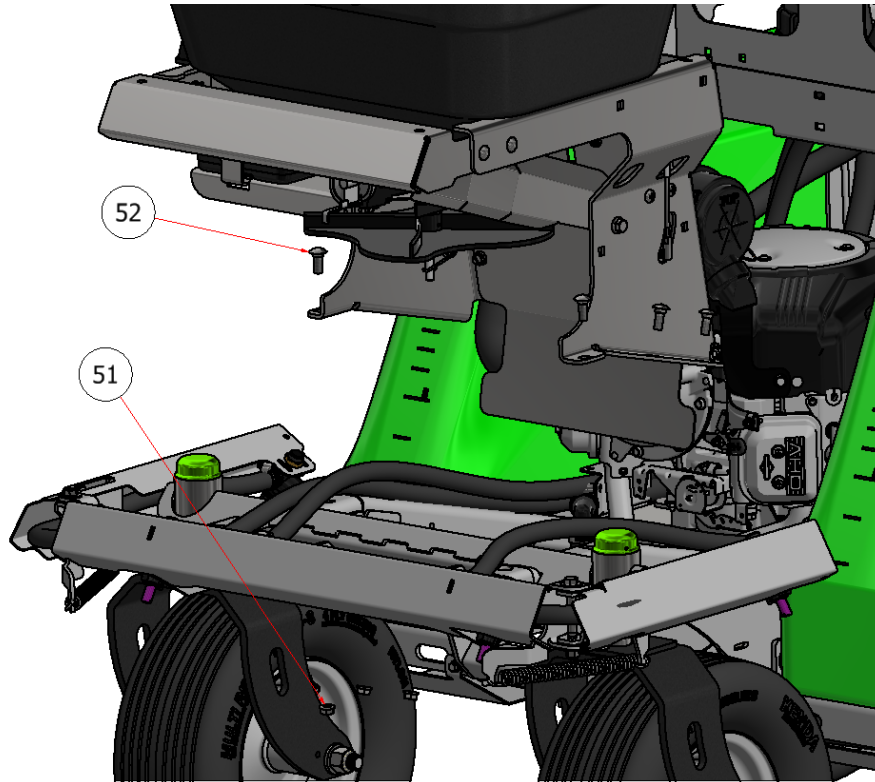
PARTS LIST			
ITEM	QTY	PART NUMBER	DESCRIPTION
28	1	R21-131	MOUNT, HOPPER MOTOR
33	2	R21-046	PLATE, HOPPER HOSE FITTINGS
35	8	NFW-14B	WASHER, PLASTIC
36	8	TRPC-141S	PHILLIPS SCREW, SS - 1/4-20 x 1
37	8	SSNNC-14	NYLOCK, SS - 1/4-20
38	8	FWSS-14	FLAT WASHER, SS - 1/4
39	2	H84020	FITTING, HOPPER BULK HEAD

HOPPER ASSEMBLY



PARTS LIST			
ITEM	QTY	PART NUMBER	DESCRIPTION
11	14	HFSSC-145	HEX FLANGE BOLT, SS - 1/4-20 x 1/2
12	3	HFSSC-381	HEX FLANGE BOLT, SS - 3/8-16 x 1
30	1	H81441	MOTOR, HOPPER
32	1	R31011	COUPLER, HOPPER MOTOR
34	1	R31017	SHAFT, 120 HOPPER
48	2	D70000	SPINNER
49	1	D70019	CLIP, SPINNER SPRING LOADED
51	10	HFNCS-38S	HEX FLANGE NUT - 3/8-16

HOPPER ASSEMBLY



PARTS LIST			
ITEM	QTY	PART NUMBER	DESCRIPTION
51	10	HFNC3-38S	HEX FLANGE NUT - 3/8-16
52	6	CB-381SS	BOLT, CARRAGE, 3/8 X 1

EXPLODED VIEW		
PART NO.	REV.	DESCRIPTION
SGEV-050	A	HOPPER ASSEMBLY