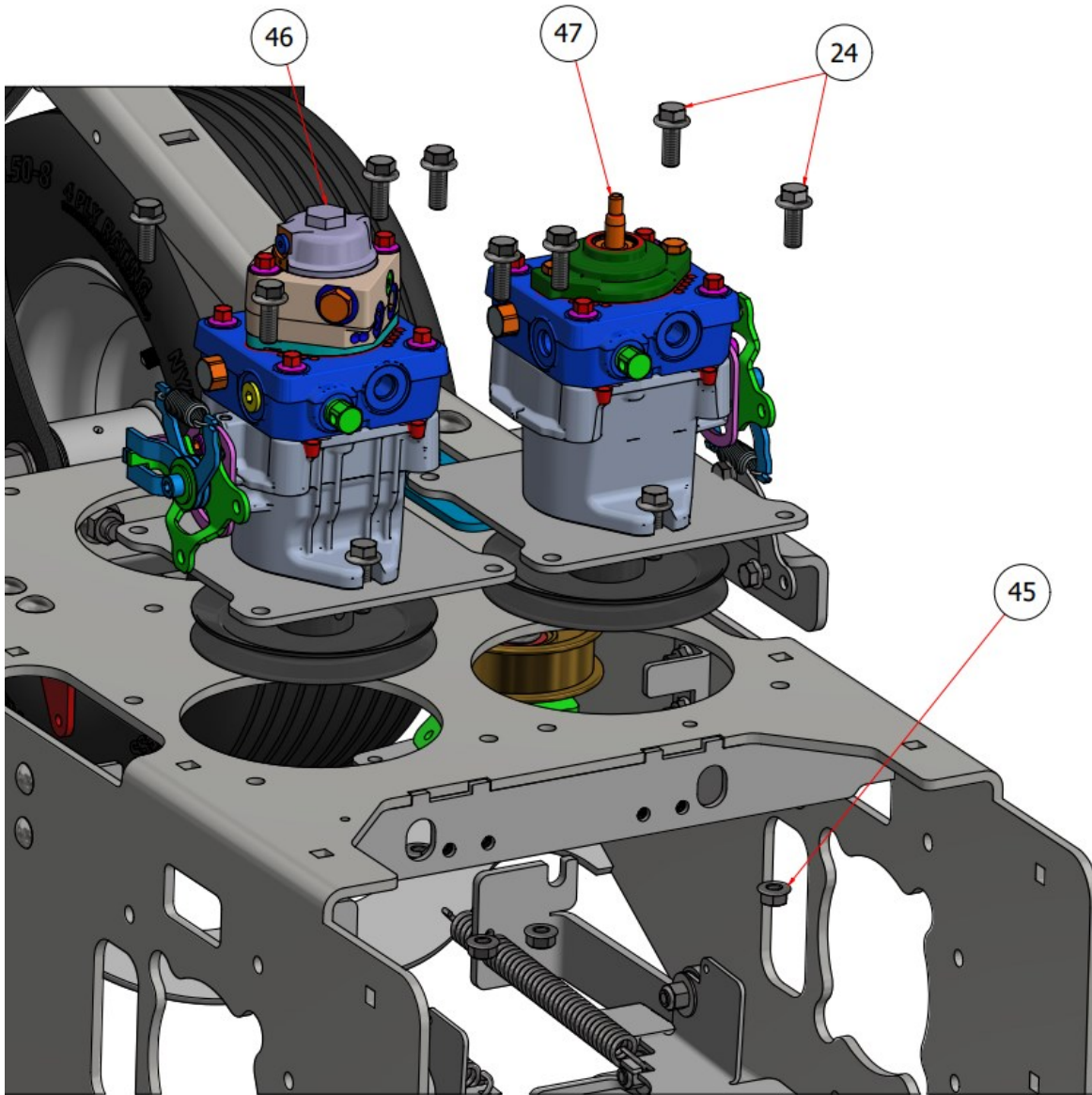


HYDRAULIC PUMPS INSTALL ASSEMBLY



PARTS LIST			
ITEM	QTY	PART NUMBER	DESCRIPTION
24	20	HFSSC-381	HEX FLANGE BOLT, SS - 3/8-16 x 1
45	38	HFNCS-38S	HEX FLANGE NUT - 3/8-16
46	1	PG-2HBB-HA1X-XXXX	HYDRAULIC PUMP, LEFT
47	1	PG-3KBB-NA1X-XXXX	HYDRAULIC PUMP, RIGHT

EXPLODED VIEW		
PART NO.	REV.	DESCRIPTION
SGEV-027	A	HYDRAULIC PUMPS INSTALL ASSEMBLY