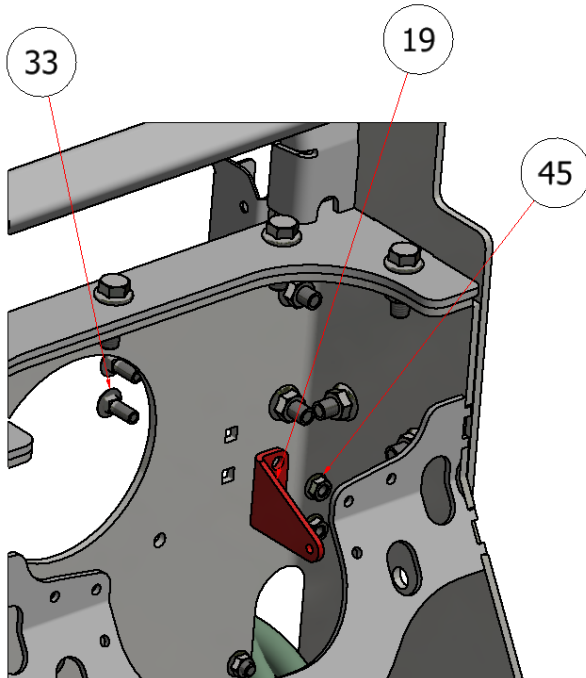
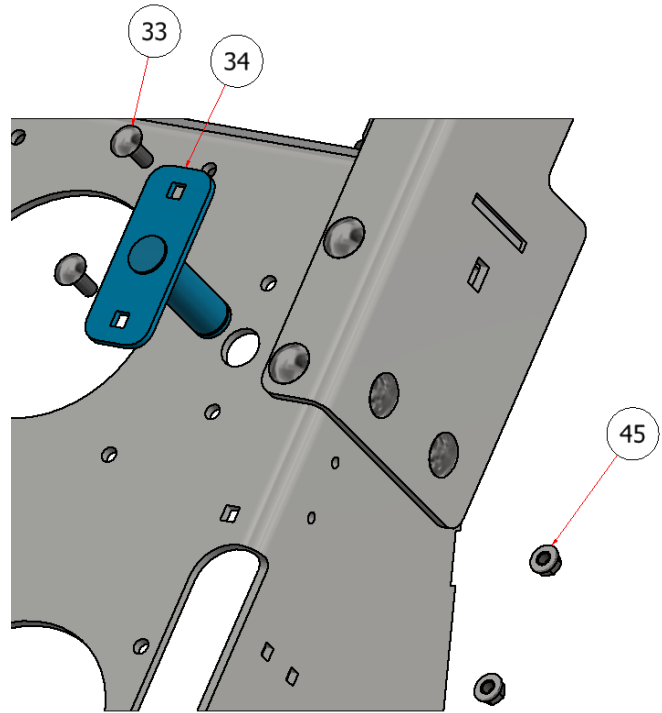


**IDLER ARM MOUNTS ASSEMBLY**



PARTS LIST			
ITEM	QTY	PART NUMBER	DESCRIPTION
33	19	CB-381SS	CARRIAGE BOLT, SS - 3/8-16 x 1
34	1	W21-021	IDLER ARM SHAFT SG46/52
	1	W21-102	IDLER ARM SHAFT SG36/42
45	38	HFNCS-38S	HEX FLANGE NUT - 3/8-16



PARTS LIST			
ITEM	QTY	PART NUMBER	DESCRIPTION
33	19	CB-381SS	CARRIAGE BOLT, SS - 3/8-16 x 1
19	1	R21-018-01	IDLER SPRING MOUNT
45	38	HFNCS-38S	HEX FLANGE NUT - 3/8-16

EXPLODED VIEW		
PART NO.	REV.	DESCRIPTION
SGEV-021	A	IDLER ARM MOUNTS ASSEMBLY