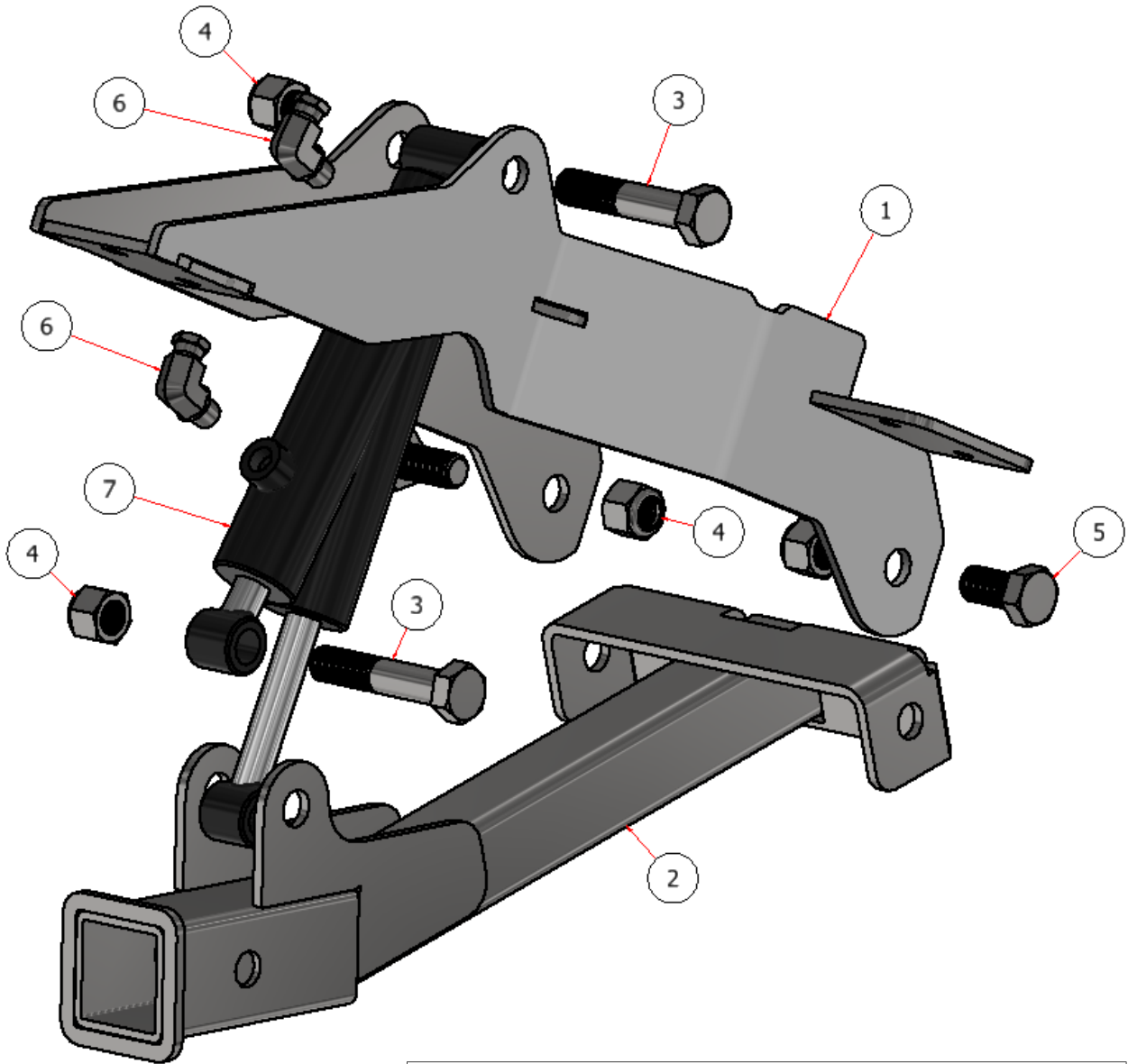


**HYDRAULIC LIFT ASSEMBLY**



PARTS LIST			
ITEM	QTY	PART NUMBER	DESCRIPTION
1	1	W-PL007	PLOW HITCH, UPPER
2	1	W-PL004	PLOW HITCH, LOWER
3	2	HFB .750-10X3.75	HEX BOLT, 3/4 X 3.75
4	5	SS NYLOCK .750-10	HEX NUT, 3/4 NYLOCK SS
5	2	HFB .750-10X1.5	HEX BOLT, 3/4 X 1.5
6	2	SG-K10007-SPHK	3/8" MNPT X 1/4" FNPT SWIVEL 90
7	1	SP10002	CYLINDER, HYDRAULIC, 1.5 X 6 X .75

PART NO.	REV.	DESCRIPTION
SGEV-055	A	SG HYDRAULIC LIFT ATTACHMENT