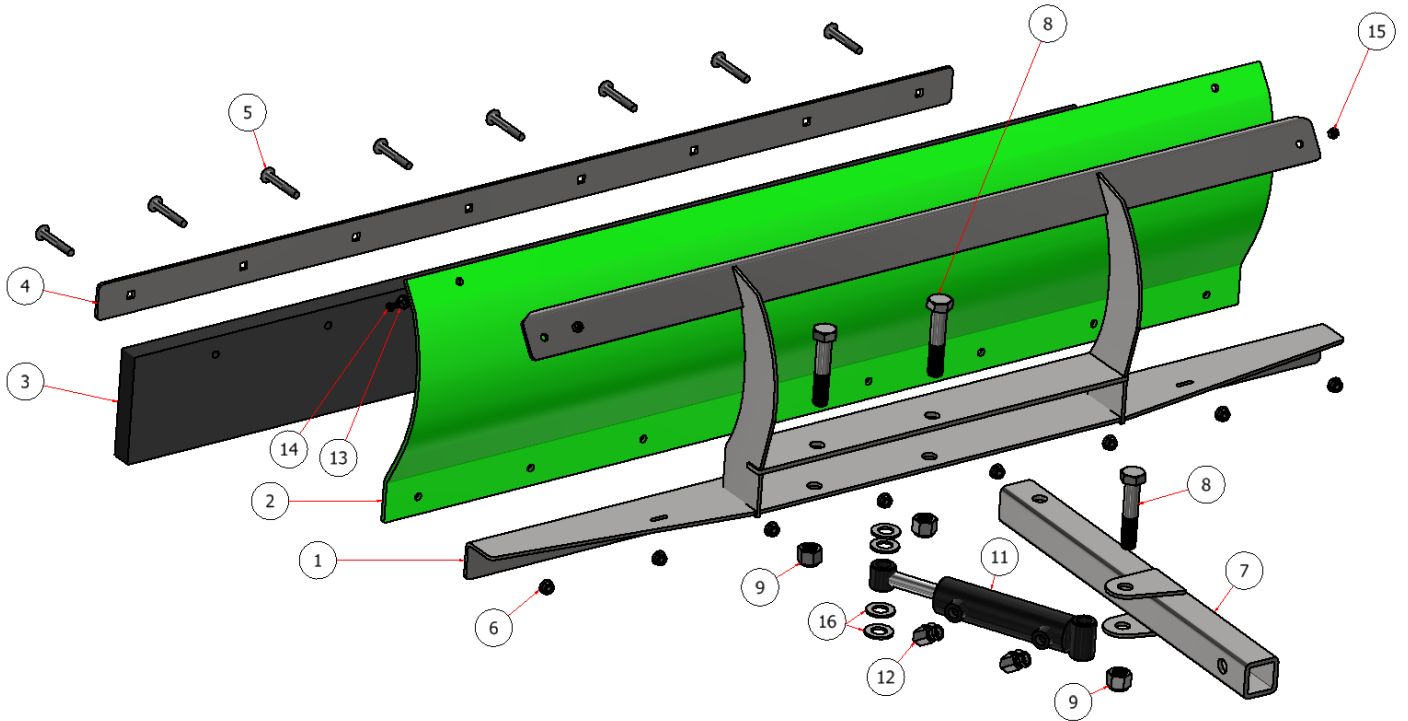


SNOW PLOW ASSEMBLY



PARTS LIST			
ITEM	QTY	PART NUMBER	DESCRIPTION
1	1	W-PL001	FRAME, SNOW PLOW
2	1	PL018	SKIN,PLOW
3	1	PL019	CUTTING EDGE, RUBBER
4	1	PL002	EDGE CAP, PLOW
5	8	CB.375-16X2.5	CARRIAGE BOLT 3/8" X 2.5"
6	8	HFNC3-38S	HEX FLANGE NUT, SS - 3/8-16
7	1	W-PL016	ATTACHMENT ARM, SNOW PLOW
8	3	HFB .750-10X3.75	HEX BOLT, 3/4 X 3.75
9	3	SSNNC-34	NYLOCK, SS - 3/4-10
10	1	SP10003	CYLINDER, HYDRAULIC, 1.5 X 4 X .75
11	2	SG-K10007-SPHK	3/8" MNPT X 1/4" FNPT SWIVEL 90
12	2	SP10007	WASHER, PLASTIC, 1/4"
13	2	PTSS-141	BOLT, BUTTON HEAD 1/4" X 1"
14	2	SSNNC-14	NYLOCK, SS - 1/4-20
15	4	FWSS-34	FLAT WASHER, SS - 3/4

PART NO.	REV.	DESCRIPTION
SGEV-054	A	SG SNOW PLOW ATTACHMENT