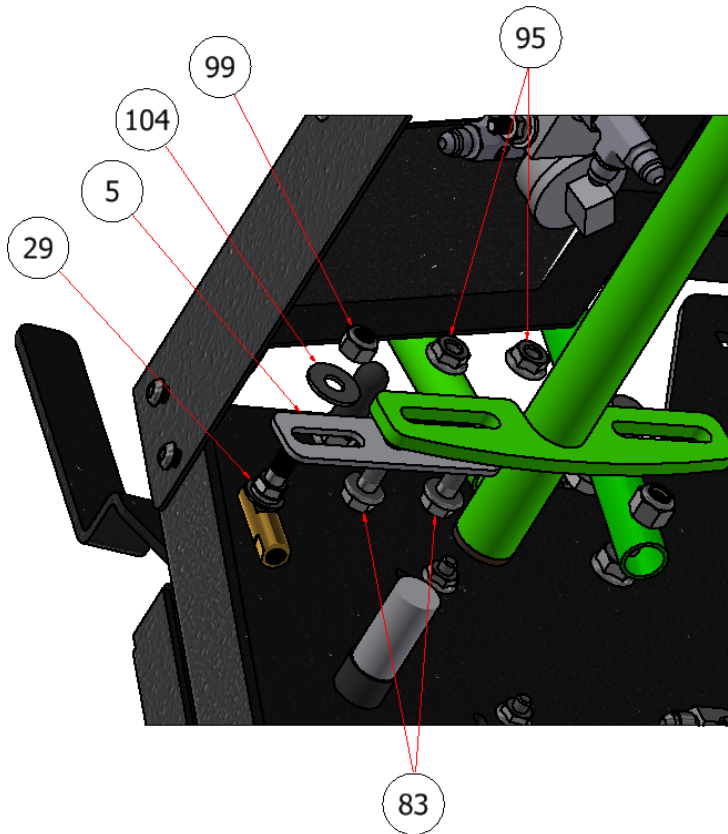
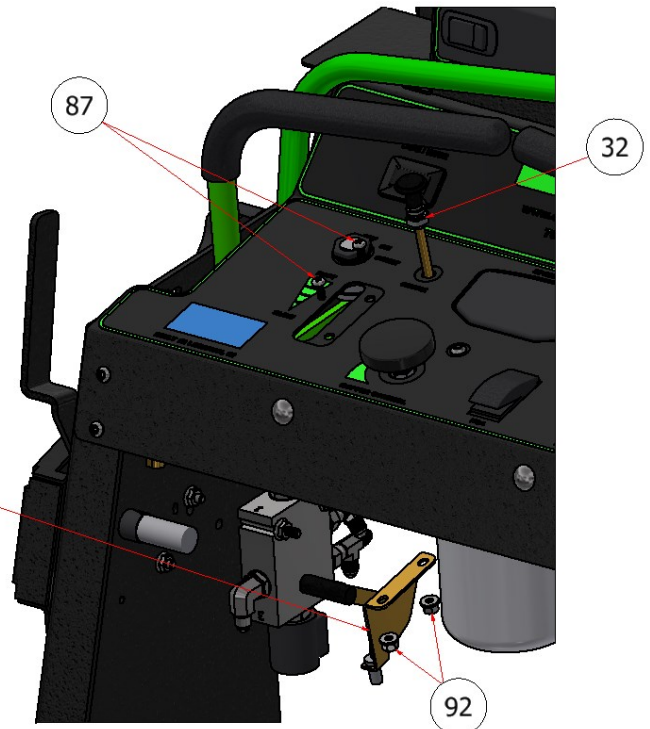


UPRIGHT ASSEMBLY FIFTEEN SGXL



PARTS LIST			
ITEM	QTY	PART NUMBER	DESCRIPTION
5	2	R23-044	STEER ROD EXTENSION, SGXL
29	1	C60337	ELECTRIC DASH PANEL
83	4	HFSSC-31375	HEX FLANGE BOLT, 5/16 X 3/4
95	10	HFNCS-516S	HEX FLANGE NUT, SS - 5/16
99	2	SSNC-313	5/16" NUT, NYLOCK
104	2	FWSS-516	FLAT WASHER, 5/16



PARTS LIST			
ITEM	QTY	PART NUMBER	DESCRIPTION
31	1	D71000	THROTTLE CABLE
32	1	D71001	CHOKE CABLE
87	2	TRPC-1012S	SCREW, PHILLIPS, #10 X 1/2
92	6	HFNCS-10S	HEX FLANGE NUT, #10

EXPLODED VIEW		
PART NO.	REV.	DESCRIPTION
SGXLEV-021	A	UPRIGHT ASSEMBLY FIFTEEN SGXL