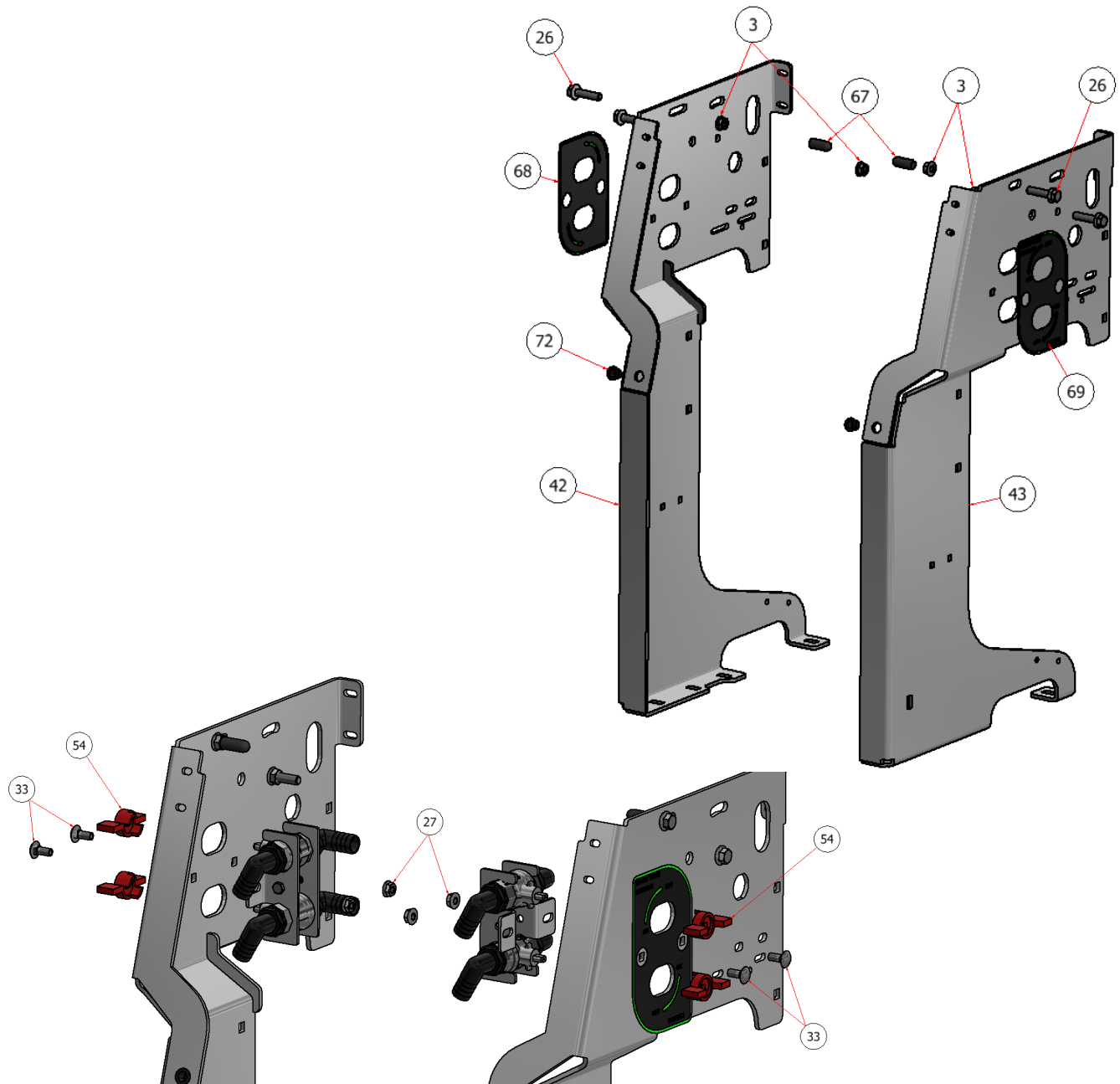


UPRIGHT ASSEMBLY



PARTS LIST			
ITEM	QTY	PART NUMBER	DESCRIPTION
27	8	HFNCS-516S	HEX FLANGE NUT
33	6	CB-51634	CARRIAGE BOLT, SS - 5/16-18 x 3/4
54	4	S51295	VALVE HANDLE, RED

PARTS LIST			
ITEM	QTY	PART NUMBER	DESCRIPTION
3	14	HFNCS-38S	HEX FLANGE NUT, SS - 3/8-16
26	6	HFSSC-3815	HEX FLANGE BOLT, 3/8 X 1.5
42	1	R21-133	UPRIGHT, SG36/42, LEFT
	1	W21-224	UPRIGHT, SG46/52, LEFT
43	1	R21-133-R	UPRIGHT, SG36/42, RIGHT
	1	W21-224-R	UPRIGHT, SG46/52, RIGHT
67	2	C60203	RUBBER CAP, BLACK 1"
68	1	C60316	DECAL, LEFT TANK SUCTION
69	1	C60317	DECAL, RIGHT TANK SUCTION
72	2	C60869	RUBBER BOOT, CHEST PAD

EXPLODED VIEW		
PART NO.	REV.	DESCRIPTION
SGEV-009	A	UPRIGHT ASSEMBLY