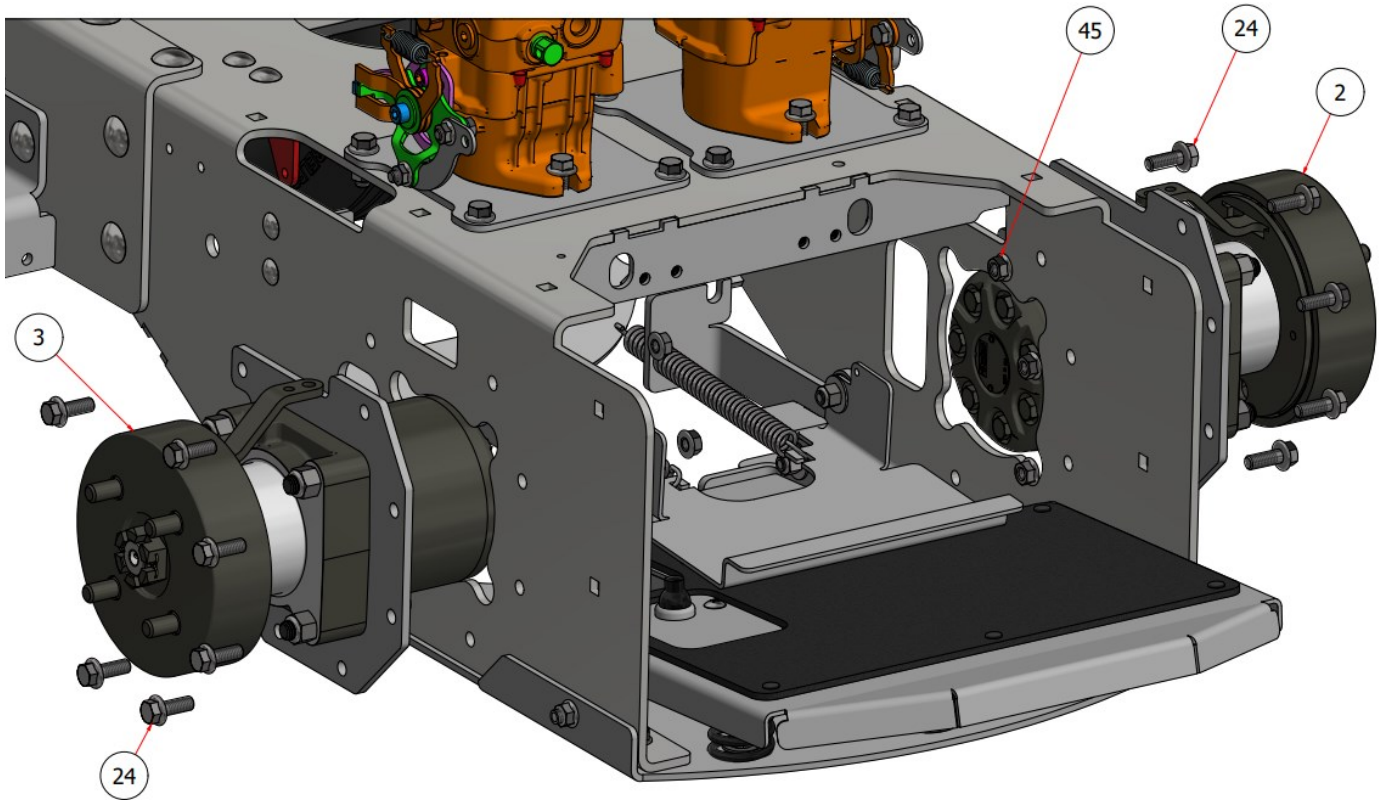


WHEEL MOTOR INSTALL ASSEMBLY



PARTS LIST			
ITEM	QTY	PART NUMBER	DESCRIPTION
2	1	H80415	WHEEL MOTOR RIGHT SG36/42
3	1	H80414	WHEEL MOTOR LEFT SG36/42
24	20	HFSSC-381	HEX FLANGE BOLT, SS - 3/8-16 x 1
45	38	HFNCS-38S	HEX FLANGE NUT - 3/8-16

EXPLODED VIEW		
PART NO.	REV.	DESCRIPTION
SGEV-028	A	WHEEL MOTOR INSTALL ASSEMBLY