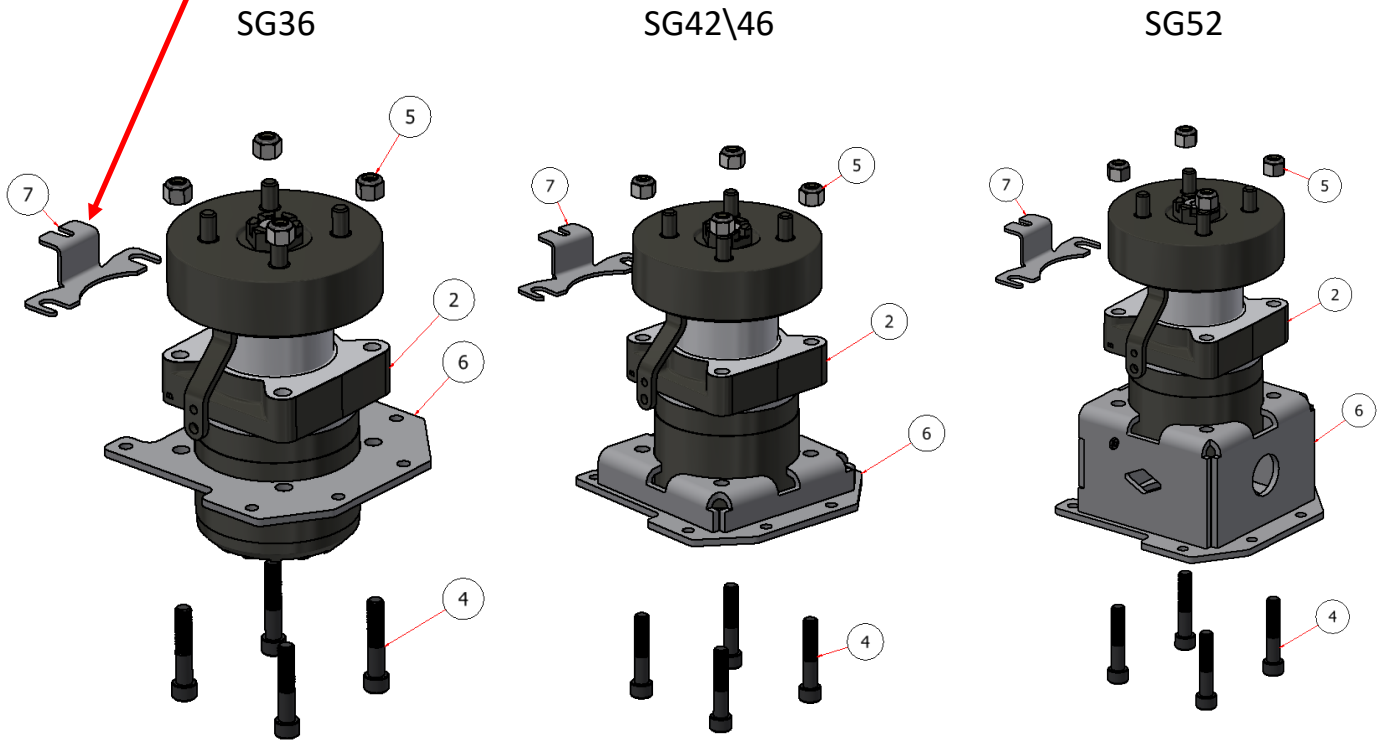


WHEEL MOTORS ASSEMBLY



NOTE: RIGHT SIDE ONLY.



PARTS LIST			
ITEM	QTY	PART NUMBER	DESCRIPTION
2	1	H80415	WHEEL MOTOR RIGHT SG36/42
3	1	H80414	WHEEL MOTOR LEFT SG36/42
4	8	SHCS-12212	SOCKET HEAD CAP SCREW, SS - 1/2 x 2 1/2
5	8	SSNNC-12	NYLOCK, SS - 1/2-13
6	2	R21-219	WHEEL MOTOR BRACKET SG36
	2	W21-230	WHEEL MOTOR BRACKET SG42/46
7	1	R21-055	SPEED SENSOR MOUNT

PARTS LIST			
ITEM	QTY	PART NUMBER	DESCRIPTION
2	1	H80406	WHEEL MOTOR RIGHT SG46/52
3	1	H80407	WHEEL MOTOR LEFT SG46/52
4	8	SHCS-12212	SOCKET HEAD CAP SCREW, SS - 1/2 x 2 1/2
5	8	SSNNC-12	NYLOCK, SS - 1/2-13
6	1	W21-231	WHEEL MOTOR BRACKET SG52
	1	W21-230	WHEEL MOTOR BRACKET SG42/46
7	1	R21-055	SPEED SENSOR MOUNT

EXPLODED VIEW		
PART NO.	REV.	DESCRIPTION
SGEV-019	A	WHEEL MOTORS ASSEMBLY