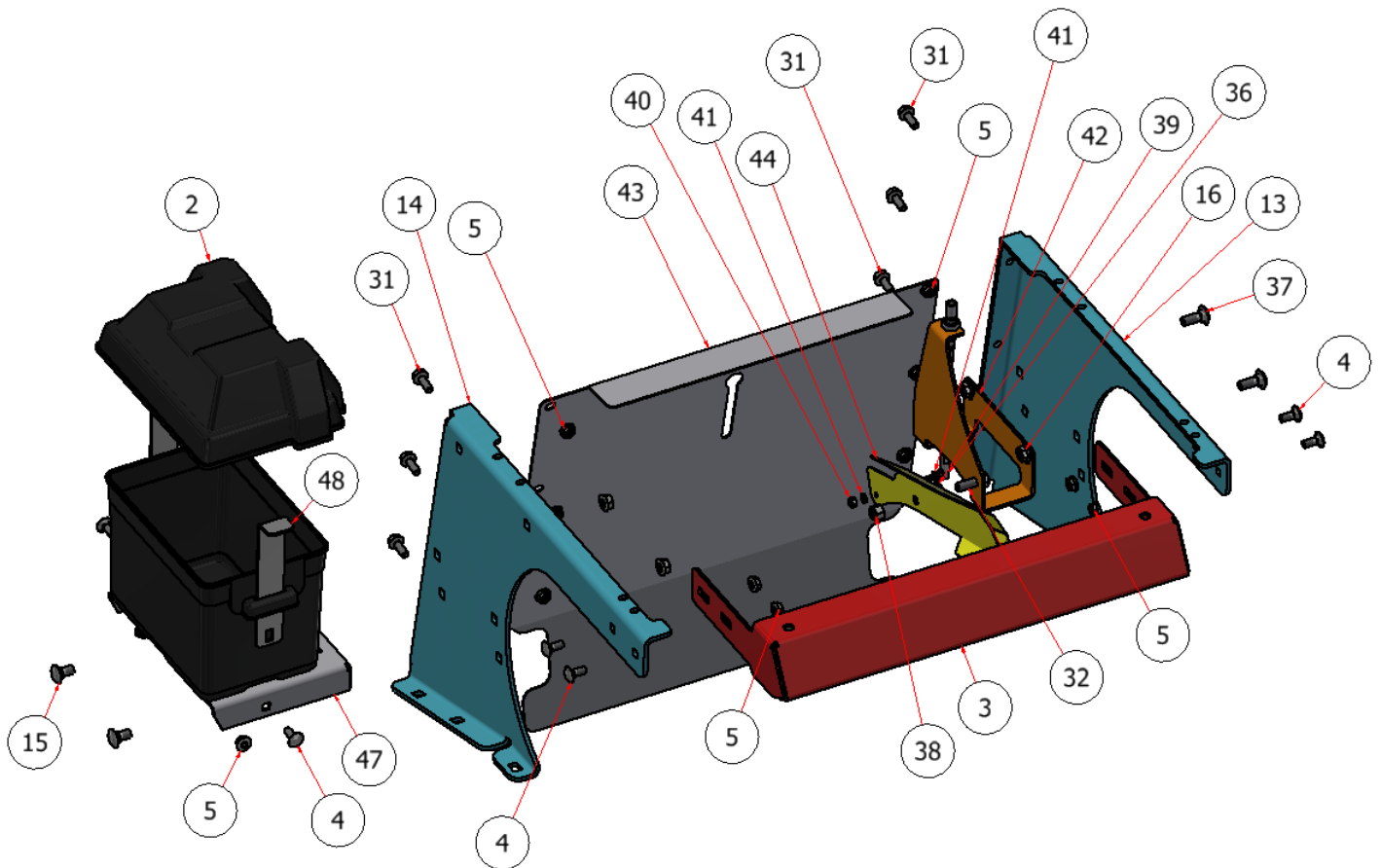


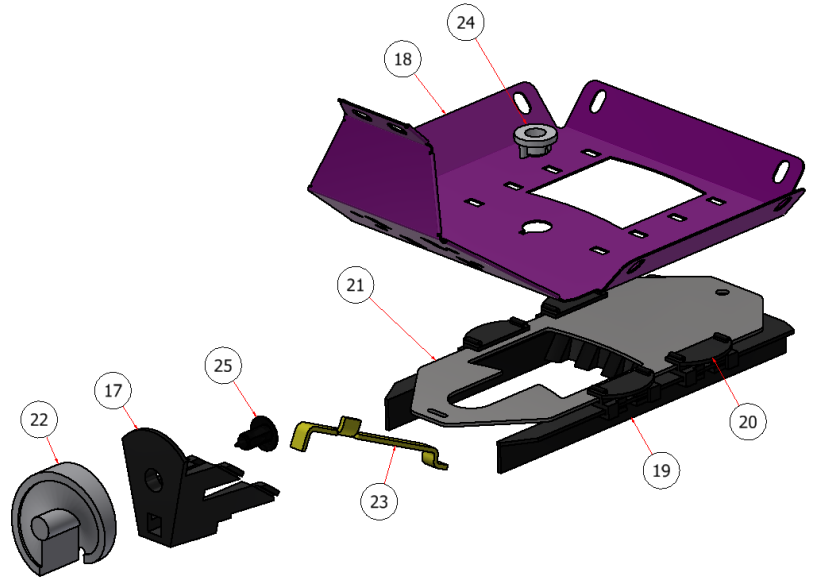
220 HOPPER ASSEMBLY



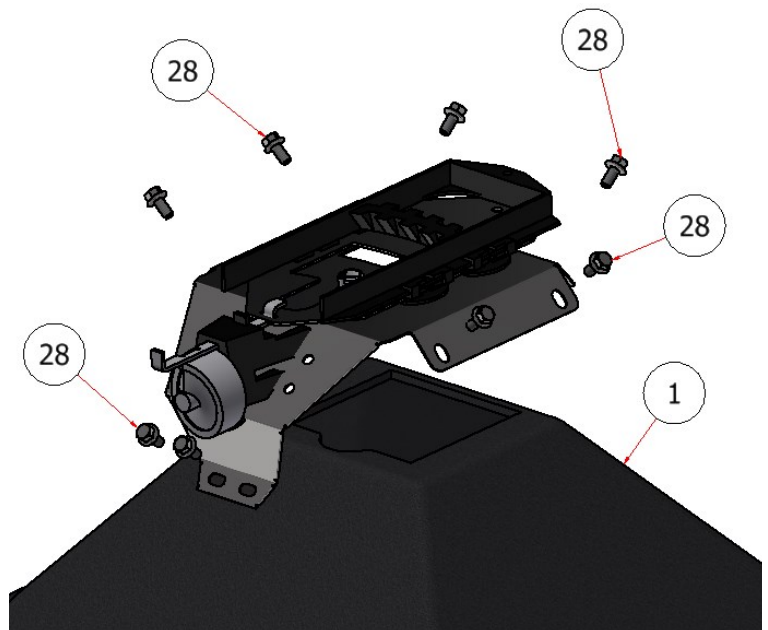
PARTS LIST			
ITEM	QTY	PART NUMBER	DESCRIPTION
2	2	E40002	BATTERY BOX
3	1	R21-044	CROSS MEMBER, FRONT, SG36 HOPPER
4	6	CB-51634	CARRIAGE BOLT, SS - 5/16-18 x 3/4
5	12	HFNCS-516S	HEX FLANGE NUT, SS - 5/16-18
13	1	W21-043-L	SIDE PANNEL, 220 HOPPER LEFT
14	1	W21-043-R	SIDE PANNEL, 220 HOPPER, RIGHT
15	2	CB-3834SS	CARRIAGE BOLT, SS - 3/8-16 x 3/4
16	6	HFNCS-38S	HEX FLANGE NUT, SS - 3/8-16
31	6	HFSSC-51634	HEX FLANGE BOLT, SS - 5/16-18 x 3/4
32	3	HFSSC-381	HEX FLANGE BOLT, SS - 3/8-16 x 1
34	1	D71016	EXTENSION, THREADED
36	1	D71005	BALL JOINT
37	2	CB-381SS	CARRIAGE BOLT, SS - 3/8-16 x 1
38	1	SSNNC-38	NYLOCK, SS - 3/8-16
39	1	FWSS-38	FLAT WASHER, SS - 3/8
40	1	SS NYLOCK 10-32	HEX NUT, NYLOCK, 10-32SS
41	2	FSW-10	FLAT WASHER, SS-10
42	1	R21-110	220 HOPPER BRACKET, DEFLECTOR CONTROL
43	1	R21-045-01	220 HOPPER REAR PANNEL
44	1	R21-109	SIDE, DEFLECTOR, SG36 HOPPER
47	1	R21-213	SUPPORT, BATTERY BOX, 35 GAL.
48	2	R21-214	BRACKET, BATTERY BOX

220 HOPPER ASSEMBLY

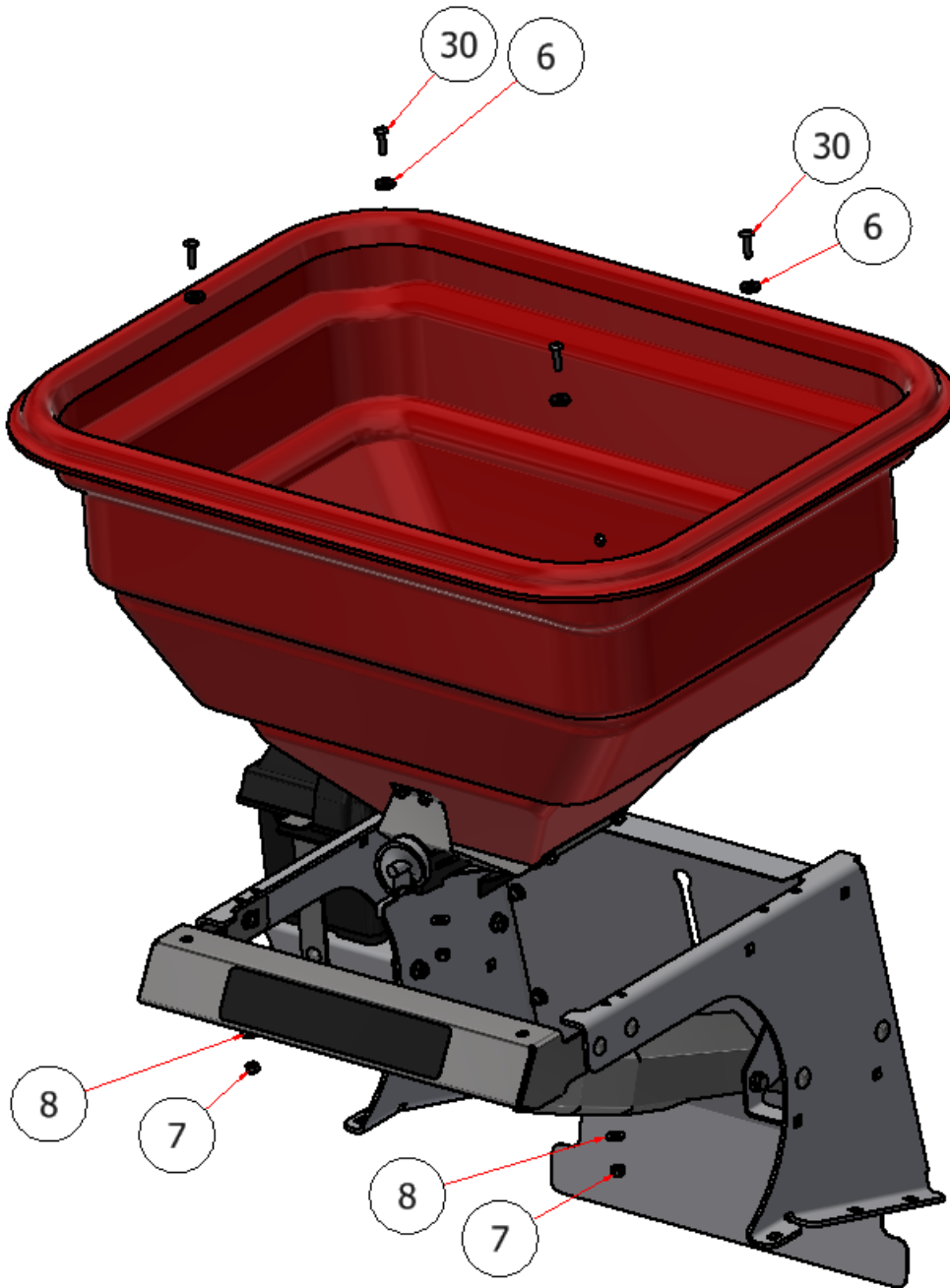
PARTS LIST			
ITEM	QTY	PART NUMBER	DESCRIPTION
17	2	D70000	RATE DIAL HOLDER
18	1	D70010	BOTTOM, 220 HOPPER
19	1	D70004	DIFFUSER
20	4	D70005	GUIDE, RATE GATE/DIFFUSER
21	1	D70025	DOOR, HOPPER
22	1	D70001	DIAL, RATE
23	1	D70003	LINKAGE, RATE DIAL
24	1	D70008	BUSHING, HOPPER BOTTOM
25	1	D70016	CLIP, PINE TREE



PARTS LIST			
ITEM	QTY	PART NUMBER	DESCRIPTION
1	1	D70014	TUB, 220 HOPPER
28	10	HFSSC-145	HEX FLANGE BOLT, SS - 1/4-20 x 1/2



220 HOPPER ASSEMBLY



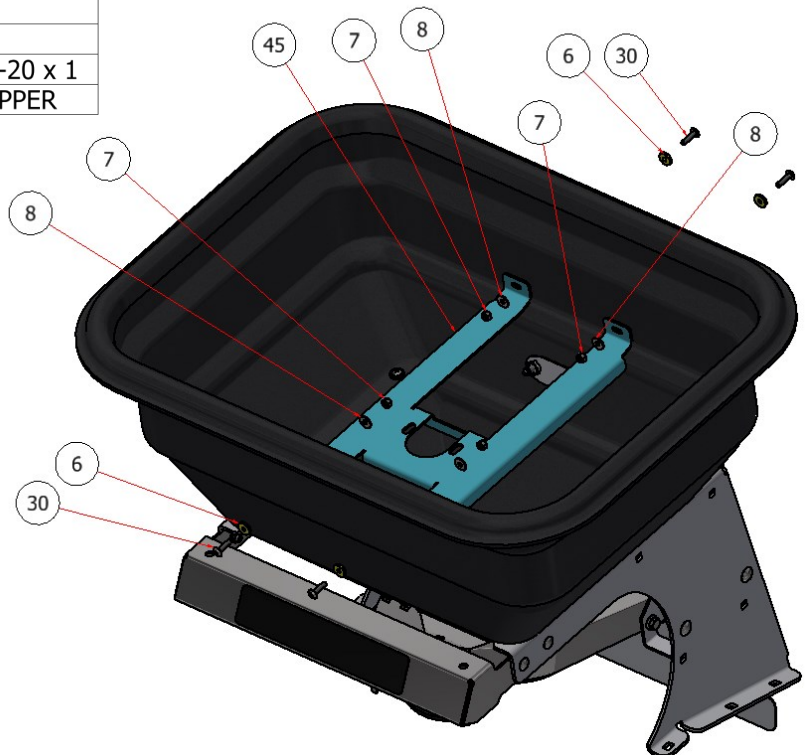
PARTS LIST			
ITEM	QTY	PART NUMBER	DESCRIPTION
6	8	NFW-14B	WASHER, PLASTIC
7	8	SSNNC-14	NYLOCK, SS - 1/4-20
8	8	FWSS-14	FLAT WASHER, SS - 1/4
30	8	TRPC-141S	PHILLIPS SCREW, SS - 1/4-20 x 1

220 HOPPER ASSEMBLY

PARTS LIST			
ITEM	QTY	PART NUMBER	DESCRIPTION
12	2	R21-046	PLATE, HOPPER HOSE FITTINGS
33	2	H84020	FITTING, HOPPER BULK HEAD

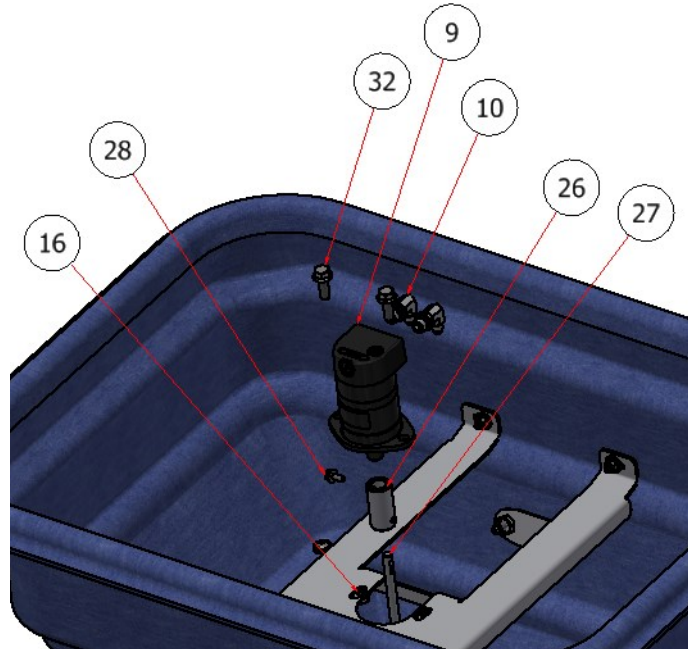


PARTS LIST			
ITEM	QTY	PART NUMBER	DESCRIPTION
6	8	NFW-14B	WASHER, PLASTIC
7	8	SSNNC-14	NYLOCK, SS - 1/4-20
8	8	FWSS-14	FLAT WASHER, SS - 1/4
30	8	TRPC-141S	PHILLIPS SCREW, SS - 1/4-20 x 1
45	1	R21-129	SUPPORT, GRATE, 220 HOPPER

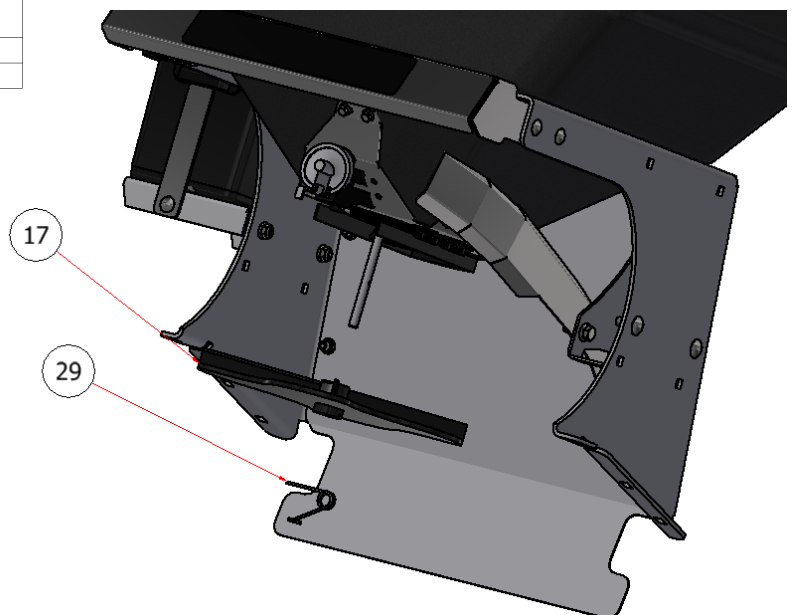


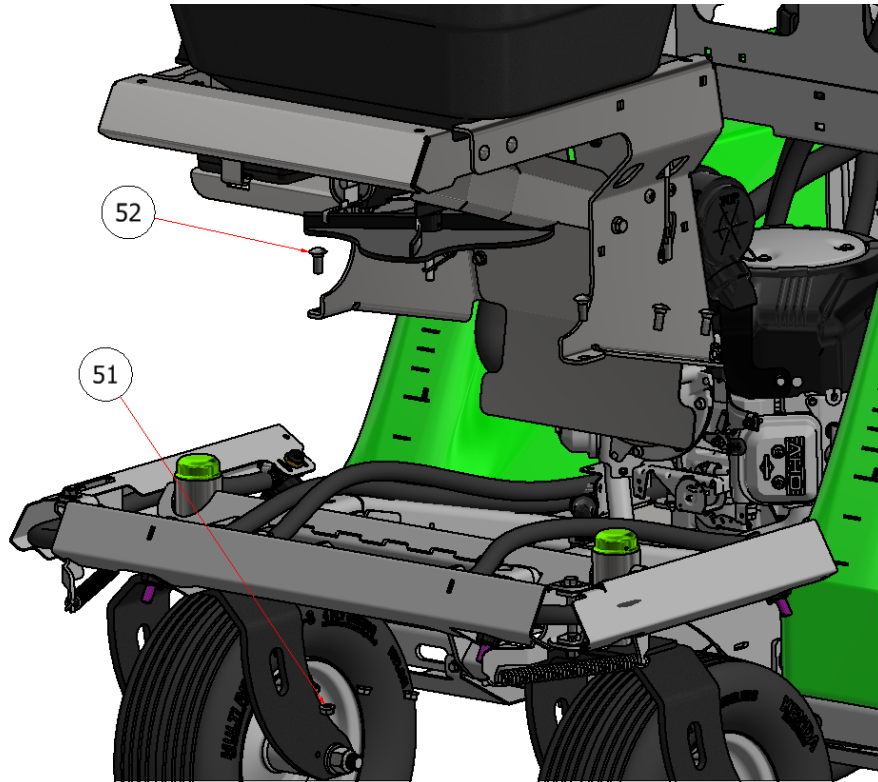
220 HOPPER ASSEMBLY

PARTS LIST			
ITEM	QTY	PART NUMBER	DESCRIPTION
9	1	H81441	MOTOR, HOPPER
10	2	H84000-L	FITTING, HOPPER MOTOR
16	6	HFNCS-38S	HEX FLANGE NUT, SS - 3/8-16
26	1	R31011	COUPLER, HOPPER MOTOR
27	1	R31009	SHAFT, HOPPER MOTOR
28	10	HFSSC-145	HEX FLANGE BOLT, SS - 1/4-20 x 1/2
32	3	HFSSC-381	HEX FLANGE BOLT, SS - 3/8-16 x 1
45	1	R21-129	SUPPORT, GRATE, 220 HOPPER



PARTS LIST			
ITEM	QTY	PART NUMBER	DESCRIPTION
17	2	D70000	RATE DIAL HOLDER
29	1	D70019	CLIP, SPINNER SPRING LOADED





PARTS LIST			
ITEM	QTY	PART NUMBER	DESCRIPTION
51	10	HFNC3-38S	HEX FLANGE NUT - 3/8-16
52	6	CB-381SS	BOLT, CARRAGE, 3/8 X 1

EXPLODED VIEW		
PART NO.	REV.	DESCRIPTION
SGEV-057	A	220 HOPPER ASSEMBLY