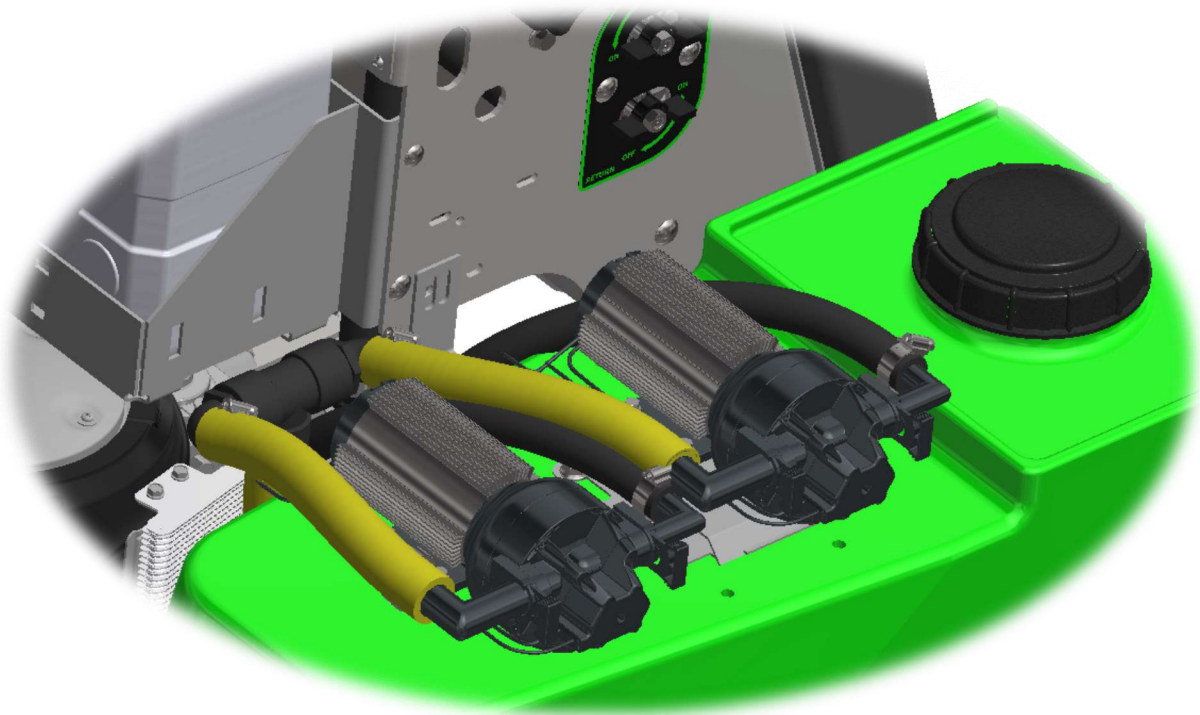


INSTRUCTION MANUAL

DOUBLE SPRAY PUMP

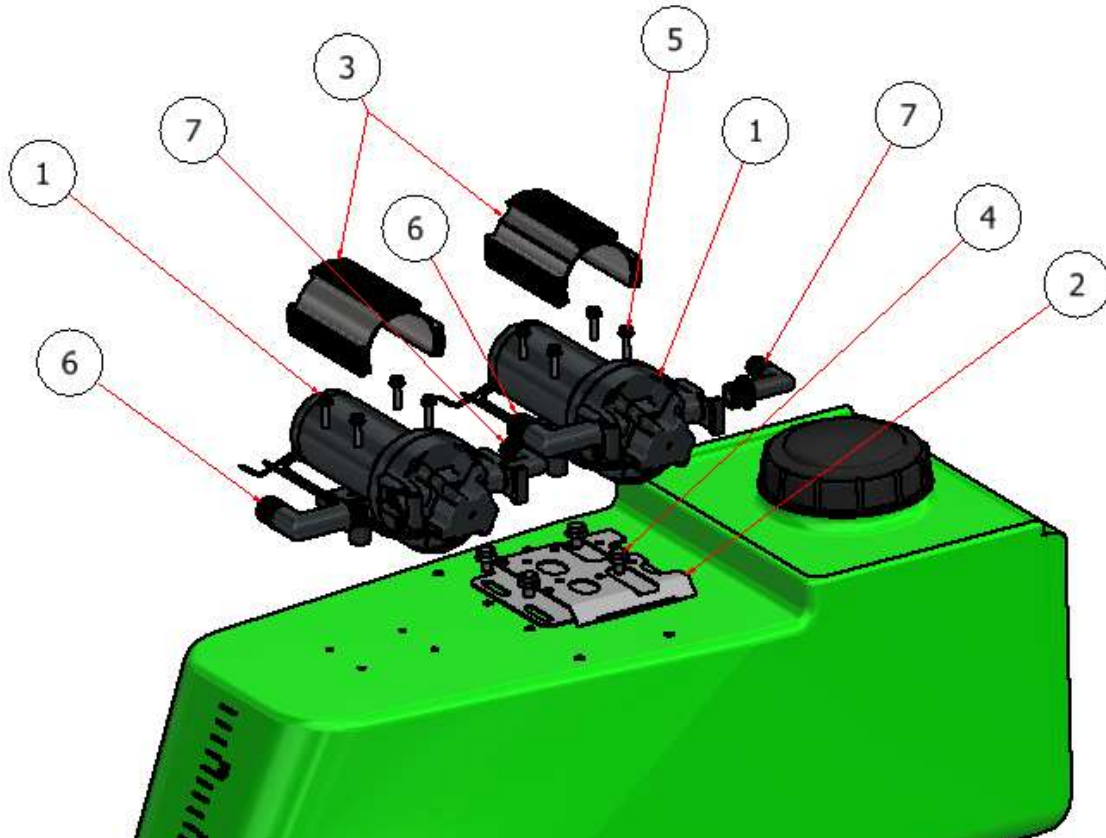
Models: SG36, SG42, SG46, & SG52



DOUBLE SPRAY PUMP INSTALLATION

STEP 1: Attach the second pumps to the tank.

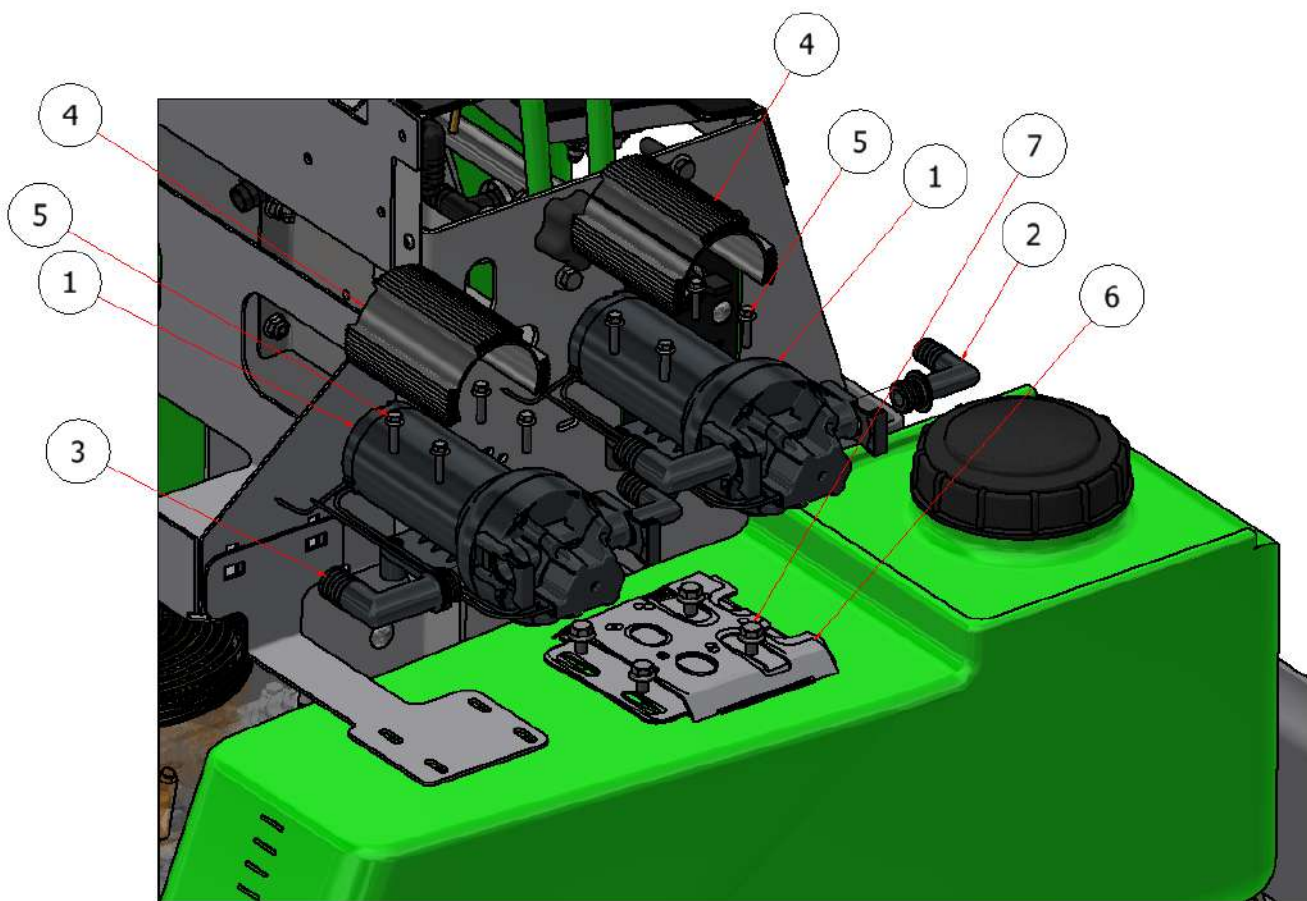
SG52 FLOJET



PARTS LIST			
ITEM	QTY	PART NUMBER	DESCRIPTION
1	2	60014-FJ	SPRAY PUMP, FLOJET
2	1	W21-100	MOUNTING BRACKET, SPRAY PUMP
3	2	S54120	HEAT SINK, SPRAY PUMP
4	4	HFSSC-3812	HEX BOLT, 3/8 X 1/2
5	8	HFSSC-141	BOLT, HEX, 1/4 X 1
6	0	20381713	PUMP FITTING, FLOJET, 1
7	0	20381712	PUMP FITTING, FLOJET, 3/4

DOUBLE SPRAY PUMP INSTALLATION

SG46 FLOJET

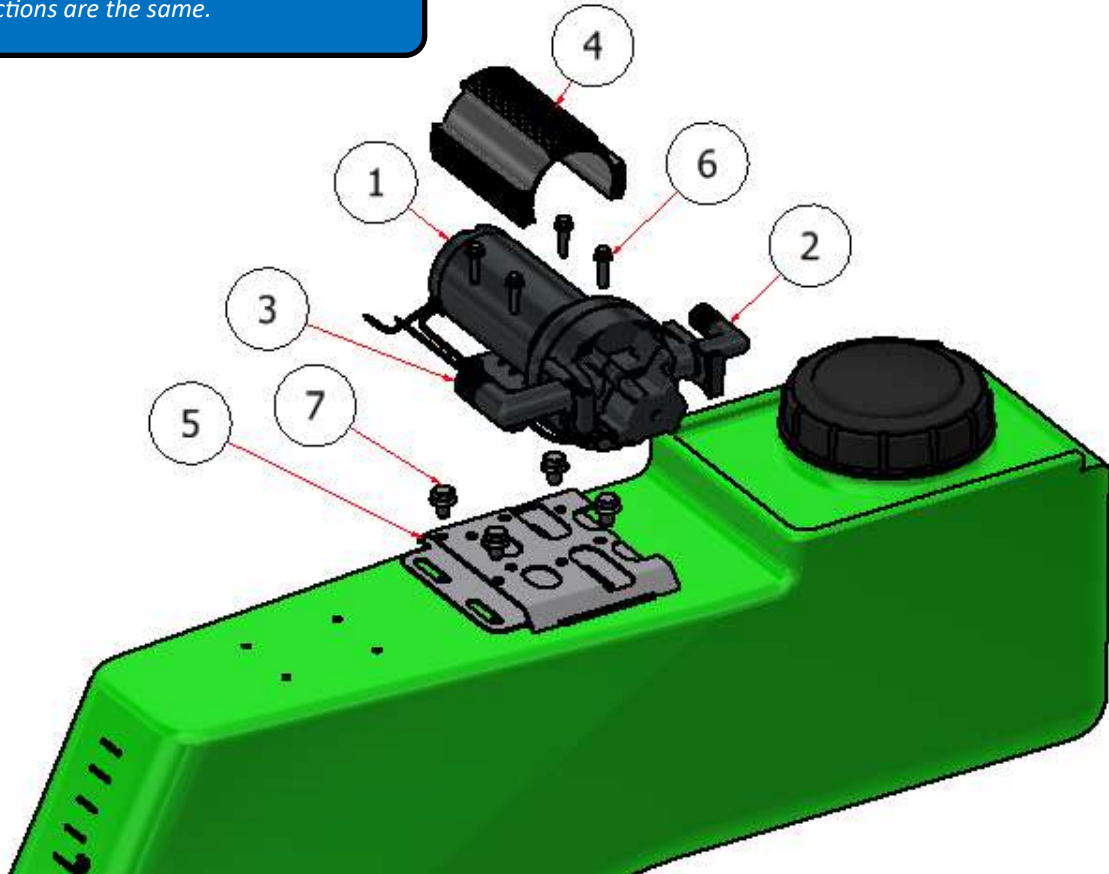


PARTS LIST			
ITEM	QTY	PART NUMBER	DESCRIPTION
1	2	60014-FJ	SPRAY PUMP, FLOJET
2	2	20381712	PUMP FITTING, FLOJET, 3/4
3	2	20381713	PUMP FITTING, FLOJET, 1
4	2	S54120	HEAT SINK, SPRAY PUMP
5	8	HFSSC-141	HEX FLANGE BOLT, 1/4 X 1
6	1	W21-100	MOUNTING BRACKET, SPRAY PUMP
7	4	HFSSC-3812	HEX FLANGE BOLT, 3/8 X 1/2

DOUBLE SPRAY PUMP INSTALLATION

SG42 FLOJET

NOTE: Attach the second pump to the right side tank. Instructions are the same.

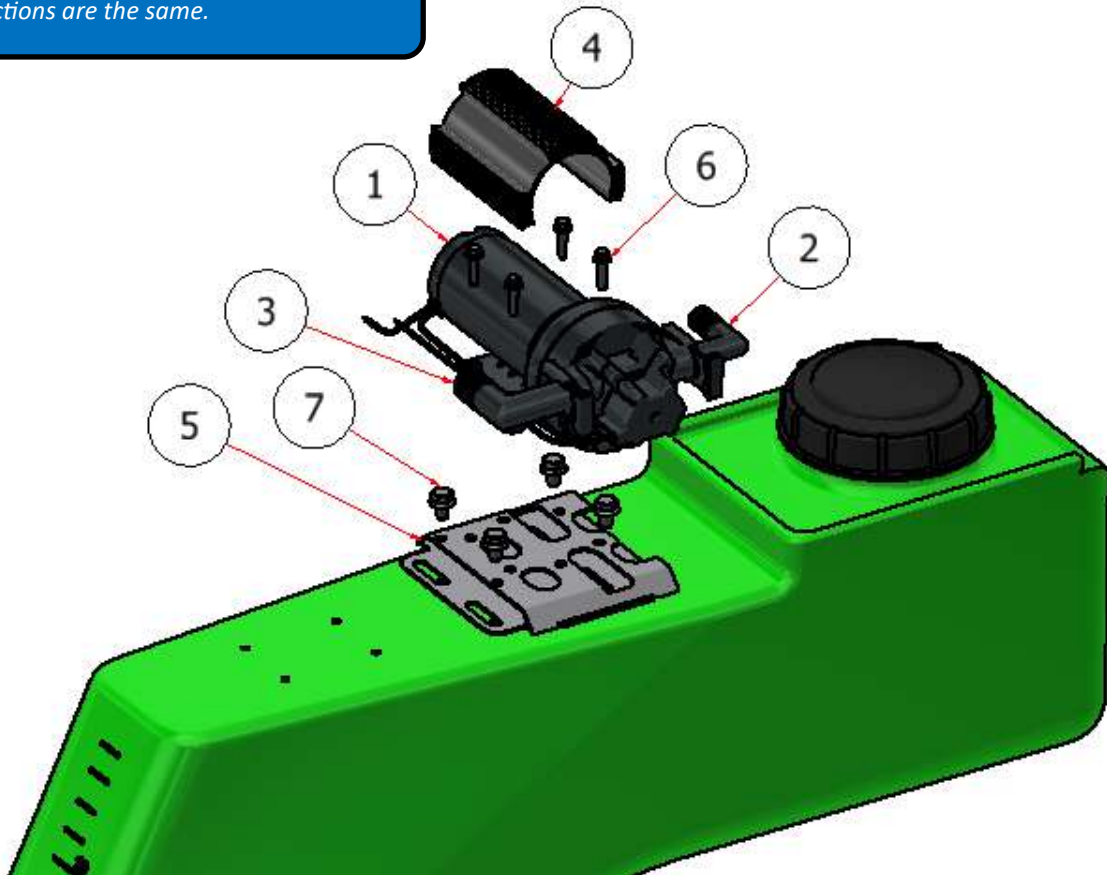


PARTS LIST			
ITEM	QTY	PART NUMBER	DESCRIPTION
1	2	60014-FJ	SPRAY PUMP, FLOJET
2	2	20381712	PUMP FITTING, FLOJET, 3/4
3	2	20381713	PUMP FITTING, FLOJET, 1
4	2	S54120	HEAT SINK, SPRAY PUMP
5	2	W21-100	MOUNTING BRACKET, SPRAY PUMP
6	8	HFSSC-141	HEX FLANGE BOLT, 1/4 X 1
7	8	HFSSC-3812	HEX FLANGE BOLT, 3/8 X 1/2

DOUBLE SPRAY PUMP INSTALLATION

SG36 FLOJET

NOTE: Attach the second pump to the right side tank. Instructions are the same.



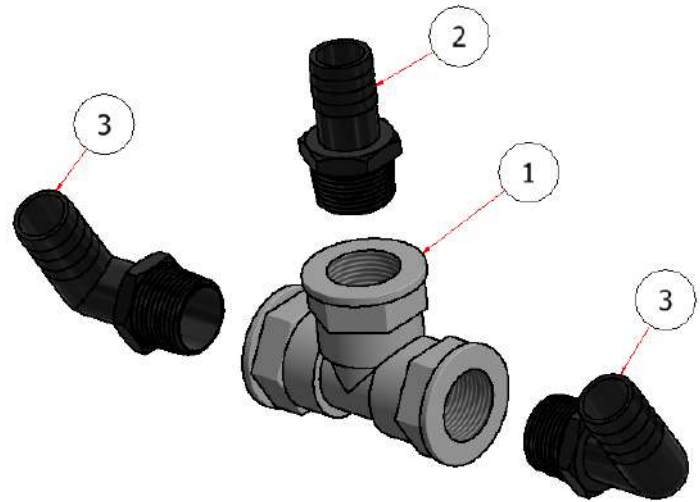
PARTS LIST			
ITEM	QTY	PART NUMBER	DESCRIPTION
1	2	60014-FJ	SPRAY PUMP, FLOJET
2	2	20381712	PUMP FITTING, FLOJET, 3/4
3	2	20381713	PUMP FITTING, FLOJET, 1
4	2	S54120	HEAT SINK, SPRAY PUMP
5	2	W21-100	MOUNTING BRACKET, SPRAY PUMP
6	8	HFSSC-141	HEX FLANGE BOLT, 1/4 X 1
7	8	HFSSC-3812	HEX FLANGE BOLT, 3/8 X 1/2

DOUBLE SPRAY PUMP INSTALLATION

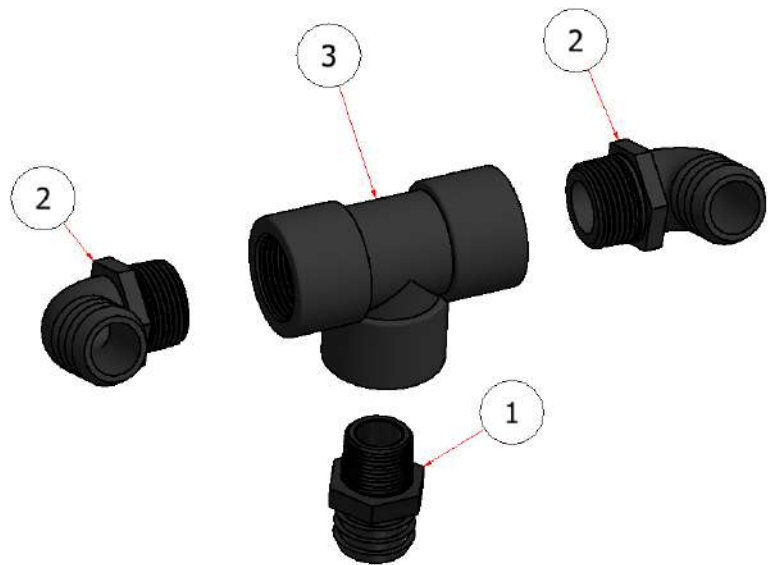
STEP 2:

- Assemble the (2) tee fitting assemblies as shown.

NOTE: Angle the elbow fittings as needed.



PARTS LIST			
ITEM	QTY	PART NUMBER	DESCRIPTION
1	1	S52006	TEE, BANJIO, 3/4
2	1	S52015	3/4" MNPT X 3/4" BARB
3	2	S52029	BARB, 3/4 MPT x 3/4 BARB 90

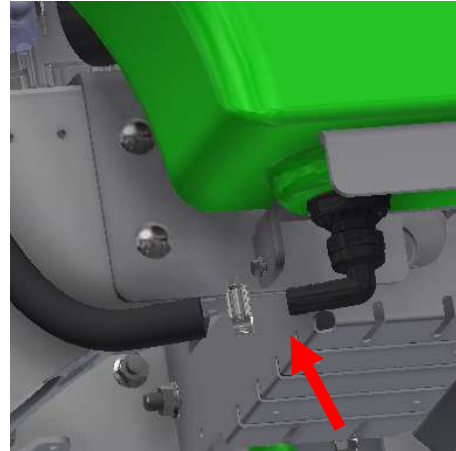


PARTS LIST			
ITEM	QTY	PART NUMBER	DESCRIPTION
1	1	S52017	3/4 X 1 BARB
2	2	S52030	1 MNPT X 1 BARB, ELBOW, 90
3	1	S52073	1 FNPT, PIPE TEE

DOUBLE SPRAY PUMP INSTALLATION

STEP 3: Loosen the hose clamp and disconnect the suction hose.

NOTE: Before disconnecting the hose place a drip pan under it to catch any excess fluid.



STEP 4: Remove the 3/4" elbow fitting from the tank and replace it with the 3/4" X 1" "barb

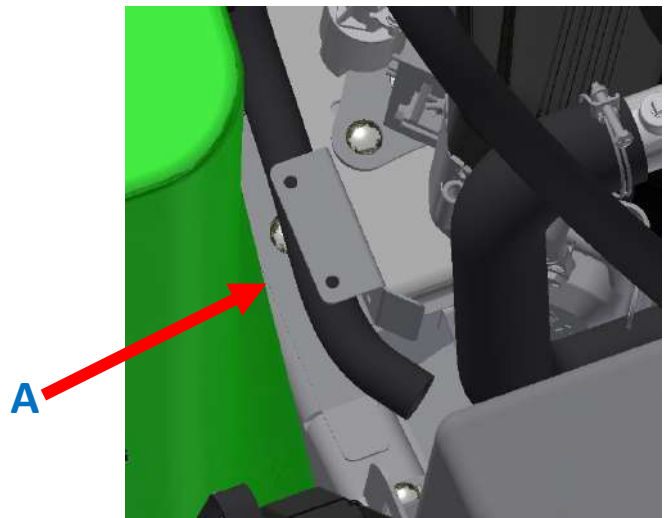
NOTE: Be sure to use pipe dope on the threads.

elbow" (EL100 HB) provided with the kit.



STEP 5: Cut the zip ties to free the suction hose.

(5) on the right & (4) on the left.

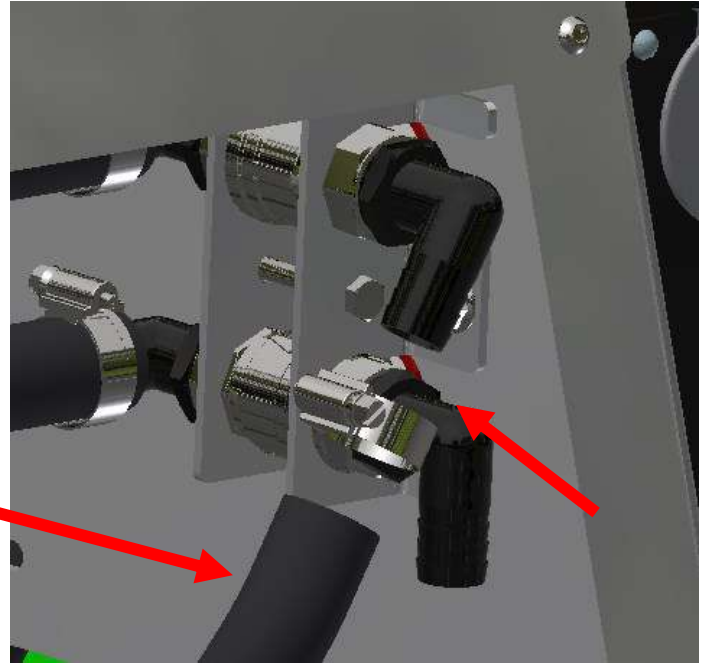


DOUBLE SPRAY PUMP INSTALLATION

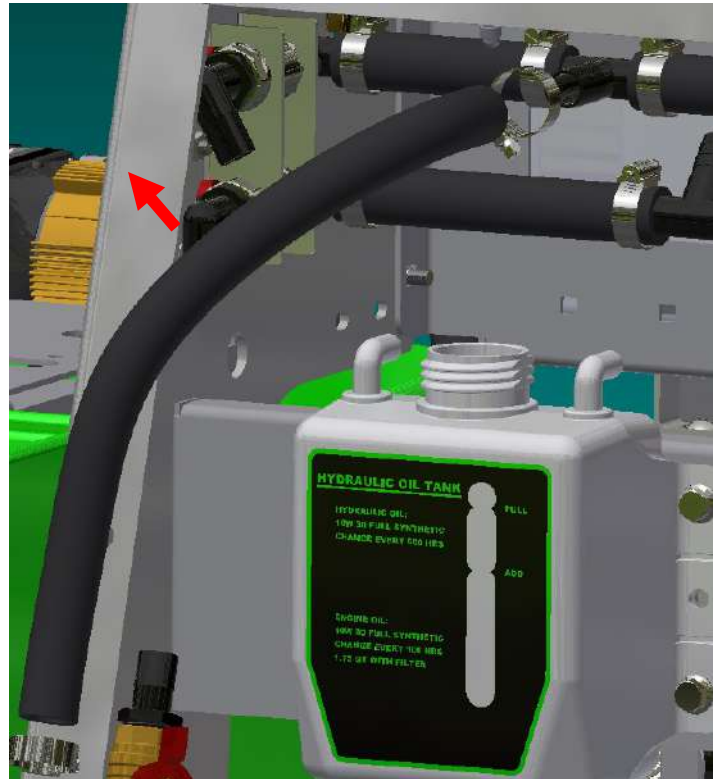
STEP 6: Loosen the hose clamp & remove the 3/4" hose from the suction valve.

NOTE: Suction hoses (from the valves to the tanks) should be free to remove from the machine.

A



STEP 7: Loosen the hose clamps & remove the suction hose from the strainer to the suction line.

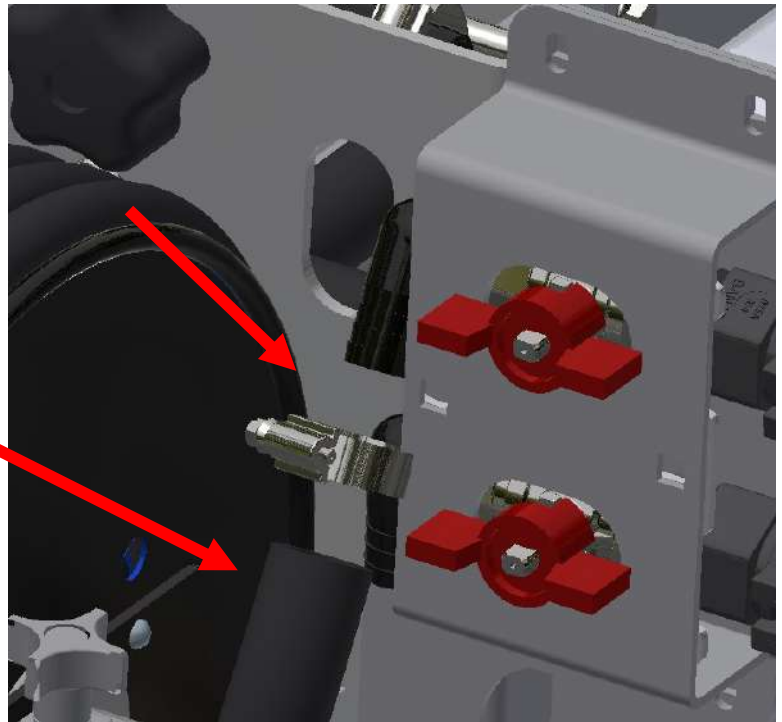


DOUBLE SPRAY PUMP INSTALLATION

NOTE: If your machine is **NOT** equipped with the 35 gallon tank option, proceed to step twelve.

STEP 8:

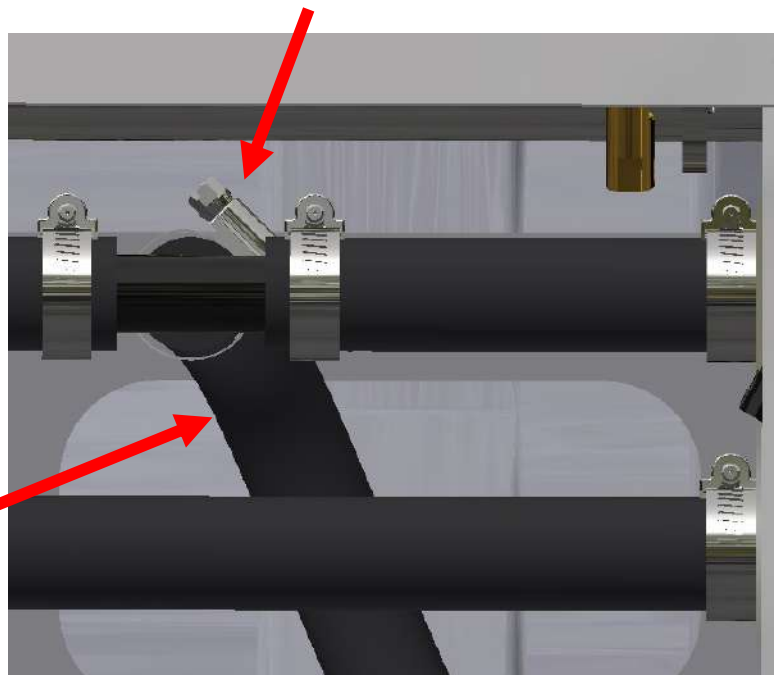
- Loosen the hose clamp & remove the 3/4" hose from the *quick disconnect* suction valve.



- Loosen the hose clamp & remove the suction

NOTE: The hose should now be free & able to be

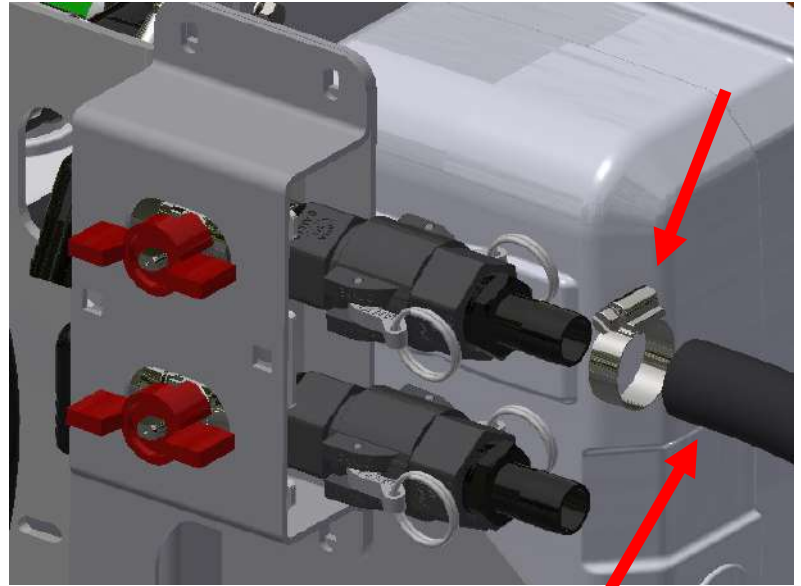
hose from the *quick disconnect* valve.



DOUBLE SPRAY PUMP INSTALLATION

STEP 9:

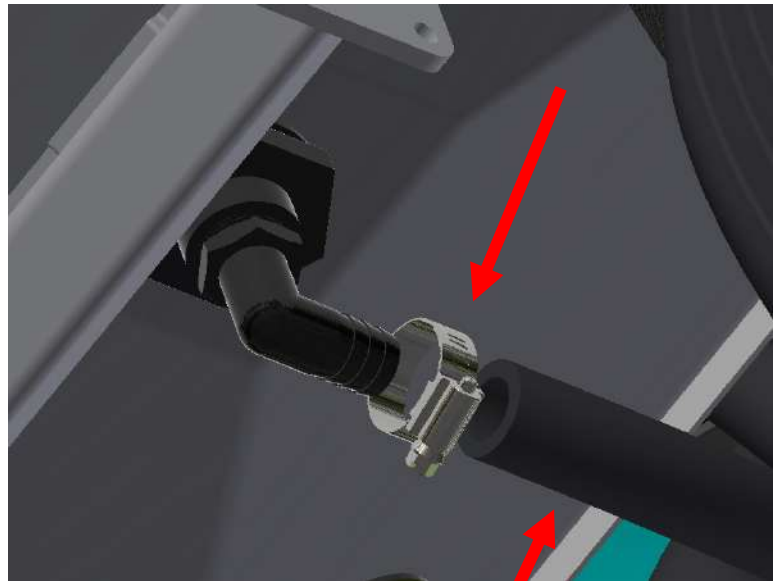
- Loosen the hose clamp & remove the 3/4" hose from the *quick disconnect* suction fitting.



- Loosen the hose clamp & remove the suction

NOTE: *The hose should now be free & able to be*

hose from the 35 gal. tank suction.



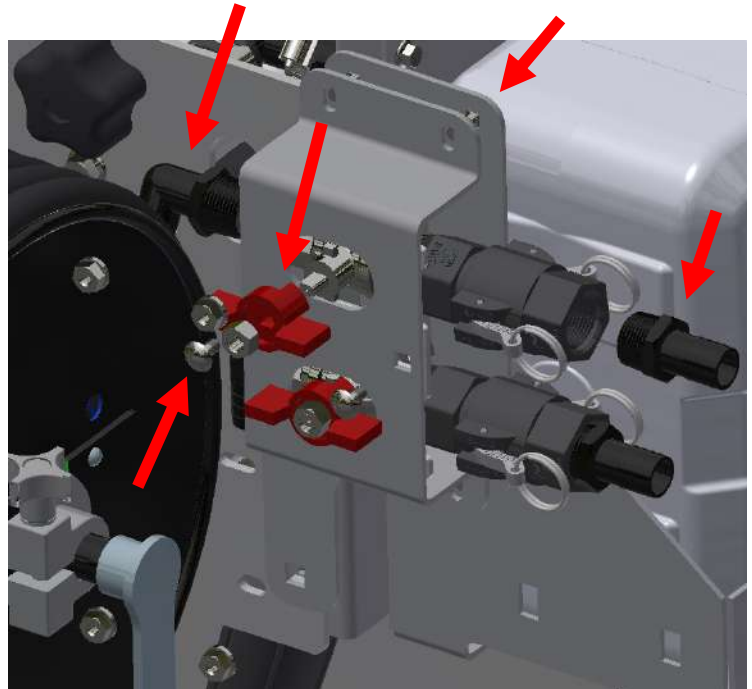
DOUBLE SPRAY PUMP INSTALLATION

STEP 10:

- Loosen the (4) bolts to free the quick disconnect valve assembly.
- Remove the red handle from the top valve.
- Loosen or remove the (2) bolts to free the valves from the plate.
- Remove the 3/4" elbow fitting & the 3/4" straight fitting, replace the with 3/4" X 1" elbow (EL100 HB) & straight (S52017) fittings provided with the kit.

NOTE: *Be sure to use pipe dope on pipe threads.*

- Reattach the valve assembly to the plate and back on to the machine.



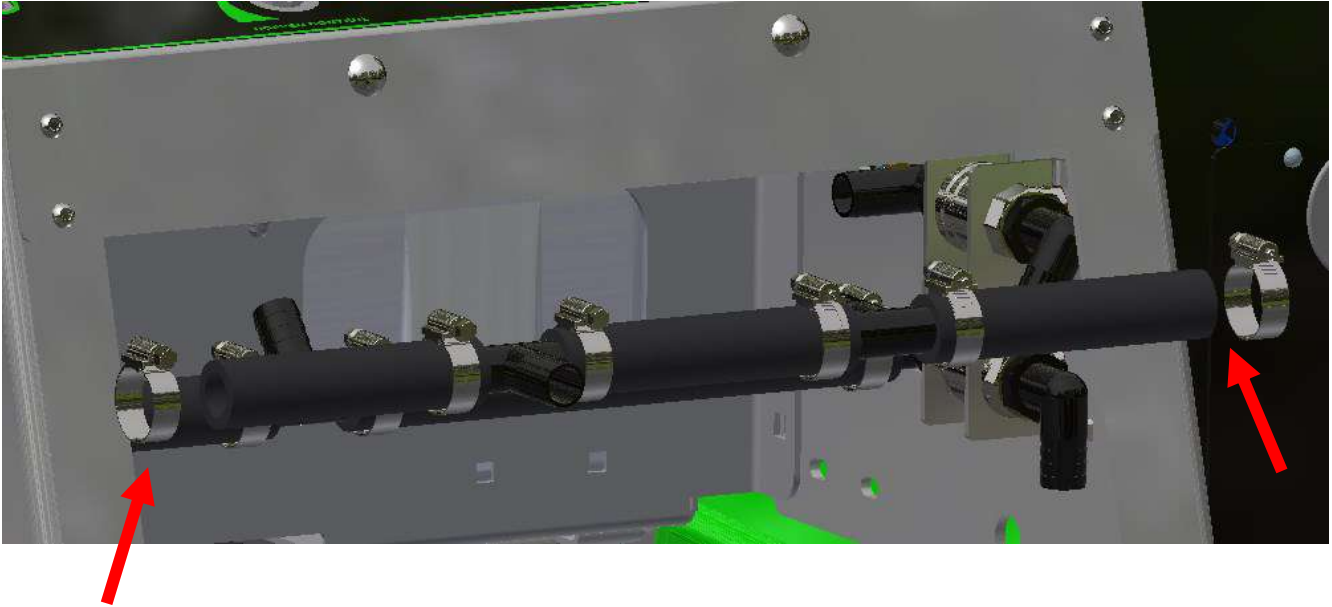
STEP 11: Remove the 3/4" elbow fitting from 35 gal. tank suction port & install the 3/4" X 1" elbow provided with the kit (EL100 HB).

NOTE: *Be sure to use pipe dope on pipe threads.*



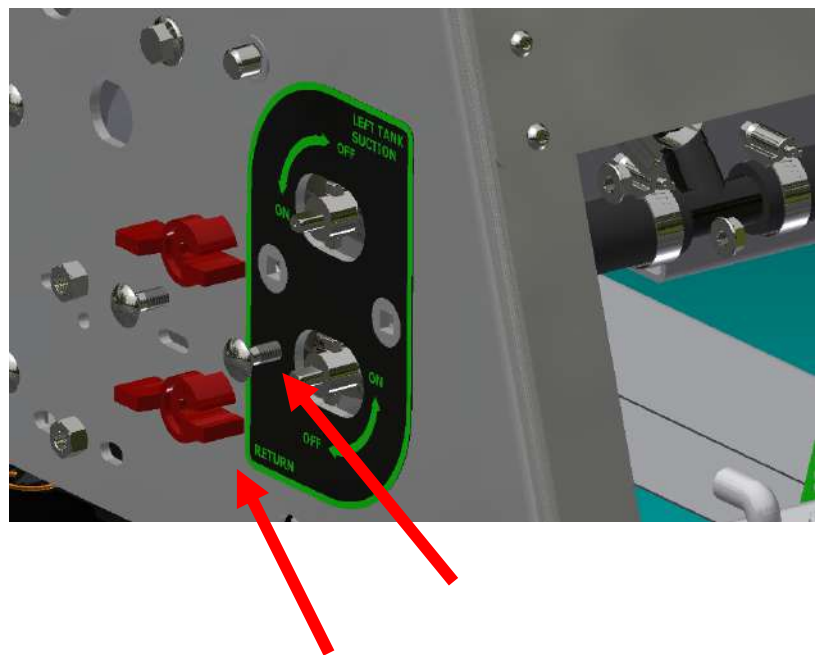
DOUBLE SPRAY PUMP INSTALLATION

STEP 12: Loosen the hose clamps on the left & right suction valves and remove the 3/4" suction hose assembly from the suction valves.



STEP 13:

- Remove the 9/16" nuts & red handles from the valves.
- Loosen the bolts to free the valve assembly.

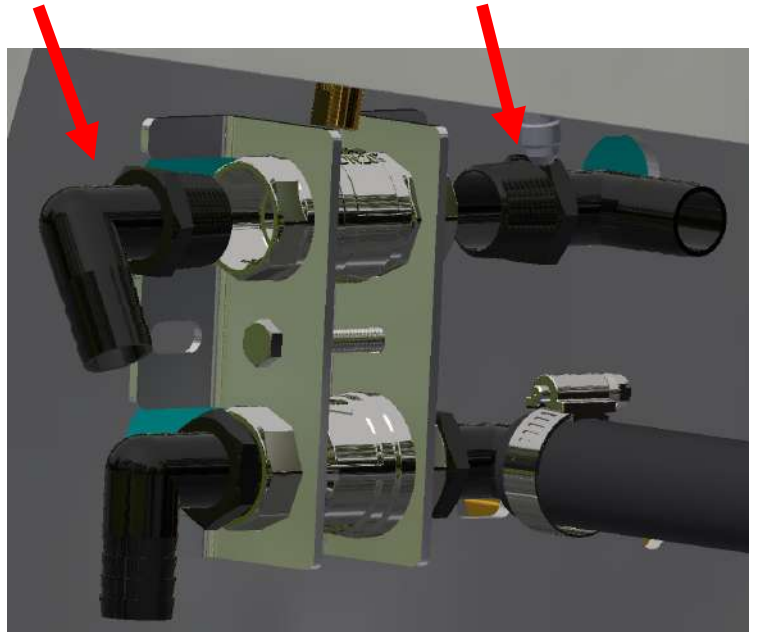


DOUBLE SPRAY PUMP INSTALLATION

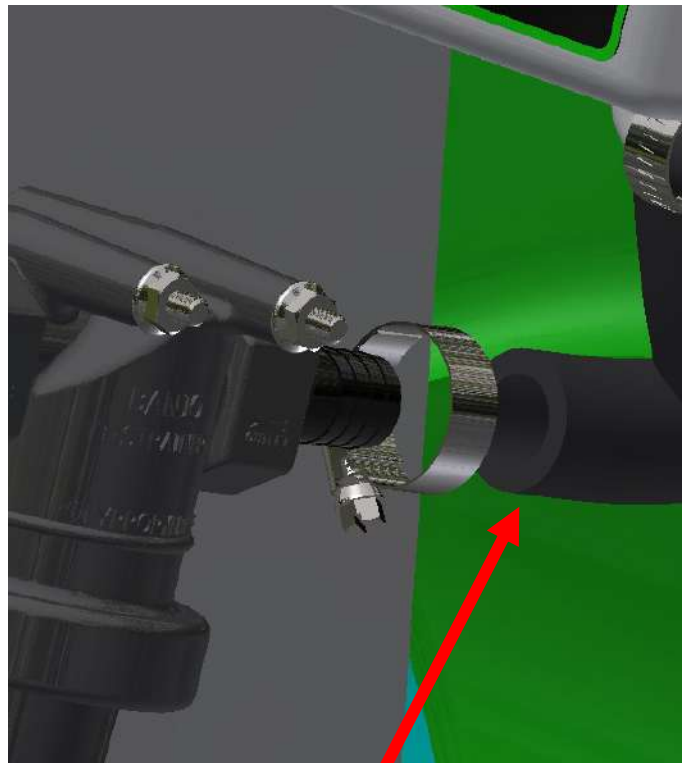
- With the valve assembly loose, remove the both of the suction valve elbows & replace them with (2) of the 3/4" X 1" barb elbows provided with the kit (EL100 HB).

NOTE:

- *Be sure to use pipe dope on the pipe threads.*
 - *The orientation of the elbows.*
- Reattach the valve assembly.



STEP 14: Loosen the hose clamp & remove the suction hose from the strainer "outlet" port.



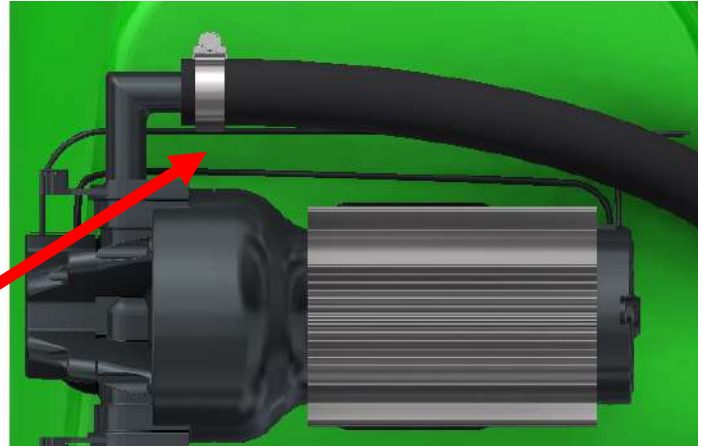
D

DOUBLE SPRAY PUMP INSTALLATION

STEP 15: Loosen the hose clamp & remove the suction hose from the pump "inlet" port.

NOTE: *The hose should now be free & able to be removed from the machine.*

D



STEP 16: Remove the fittings from the strainer and install the 3/4" X 1" barb fittings provided with the kit (S52017).

NOTE: *Be sure to use pipe dope on pipe threads.*

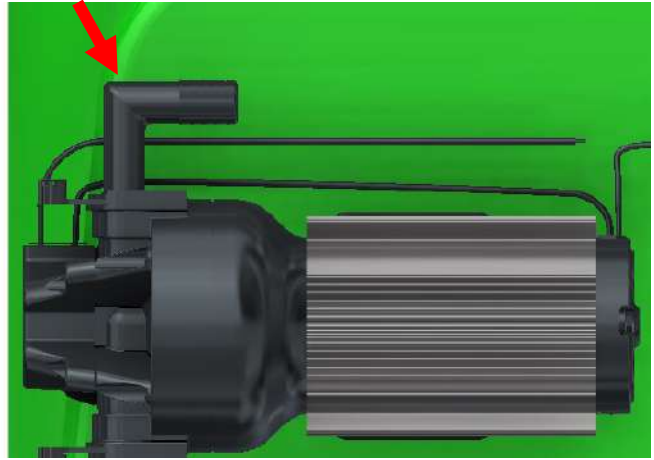


DOUBLE SPRAY PUMP INSTALLATION

STEP 17:

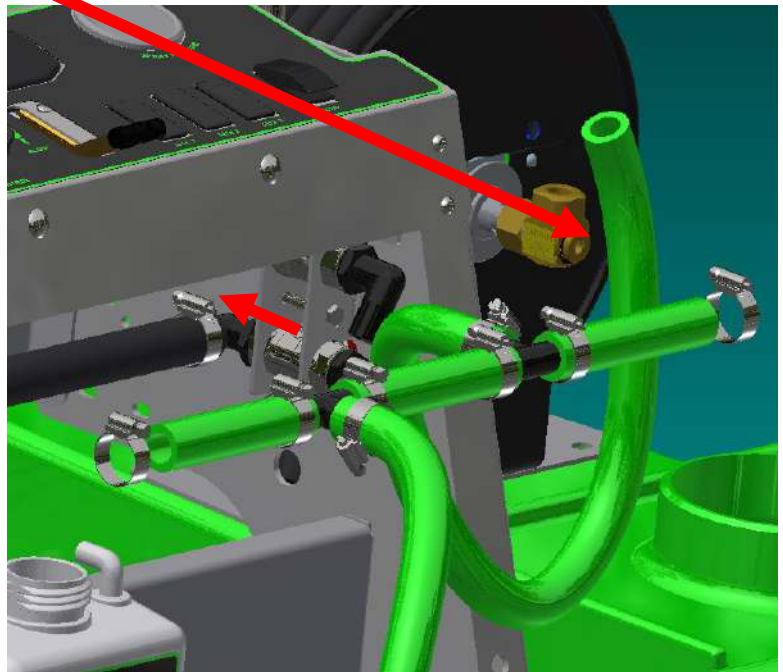
- Remove the 3/4" elbow fitting from the "inlet" port of the pump.
- Replace it with the 1" barb fitting provided with the kit.

NOTE: *Be sure to use pipe dope on pipe threads.*



NOTE: *Picture shown with additional suction hose*

- STEP 18:** Install the 1" suction hose assembly provided with the kit to the suction valves & securely fasten with hose clamps.

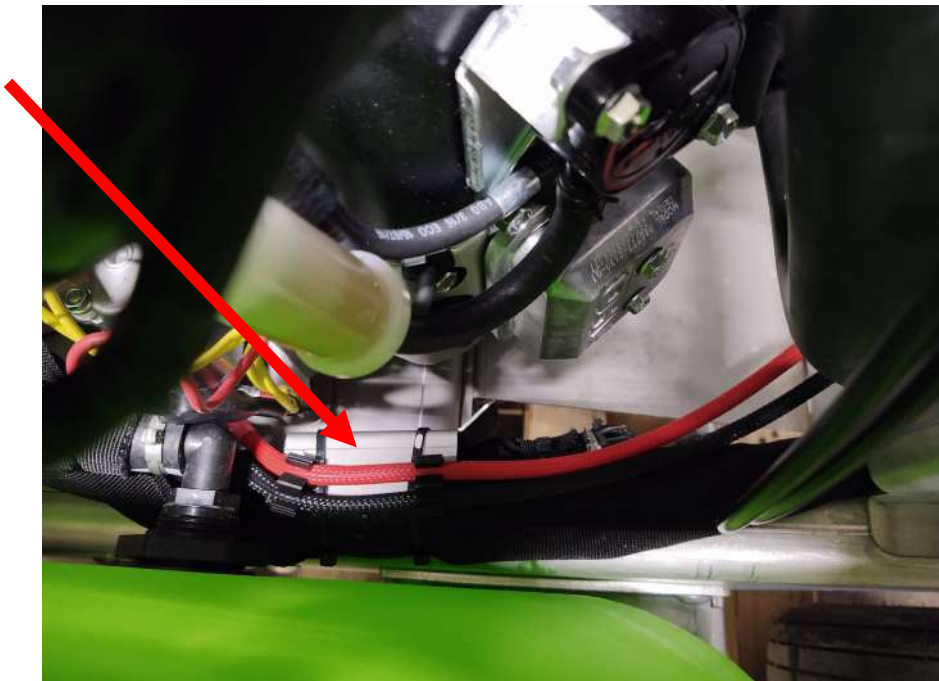
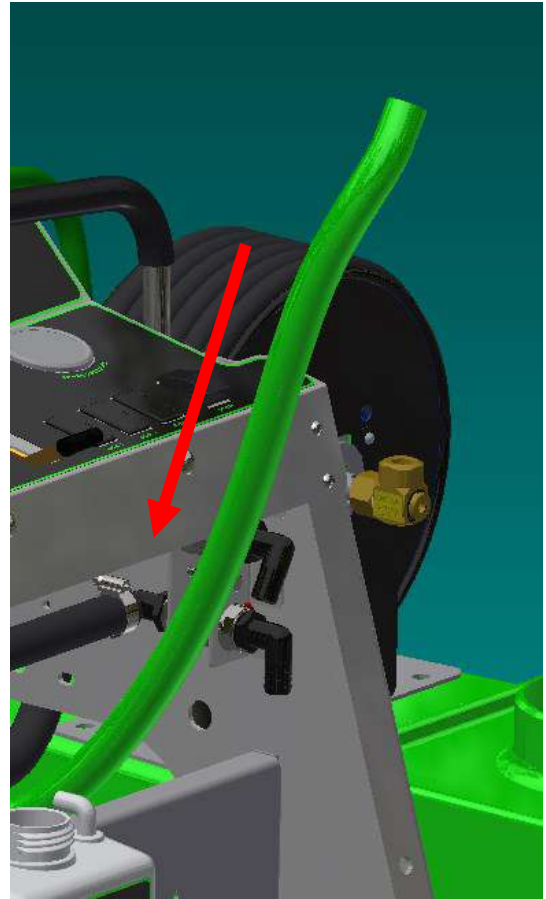
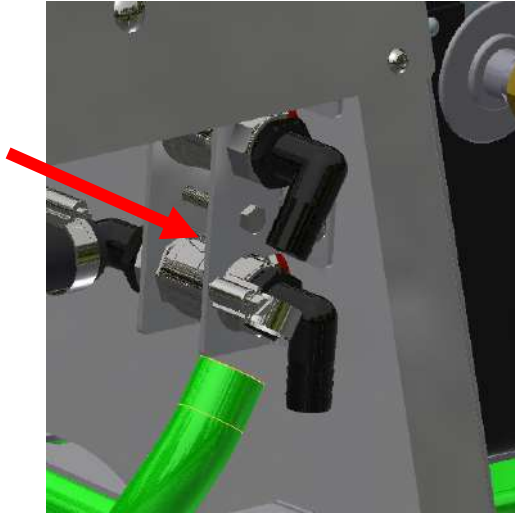


DOUBLE SPRAY PUMP INSTALLATION

STEP 19:

- Feed the “green” 1” X 55-1/2” hose down through the upright, along the frame & hose guide with the existing hoses.
- Connect the end of the hose to the suction valve & securely fasten with hose clamp.

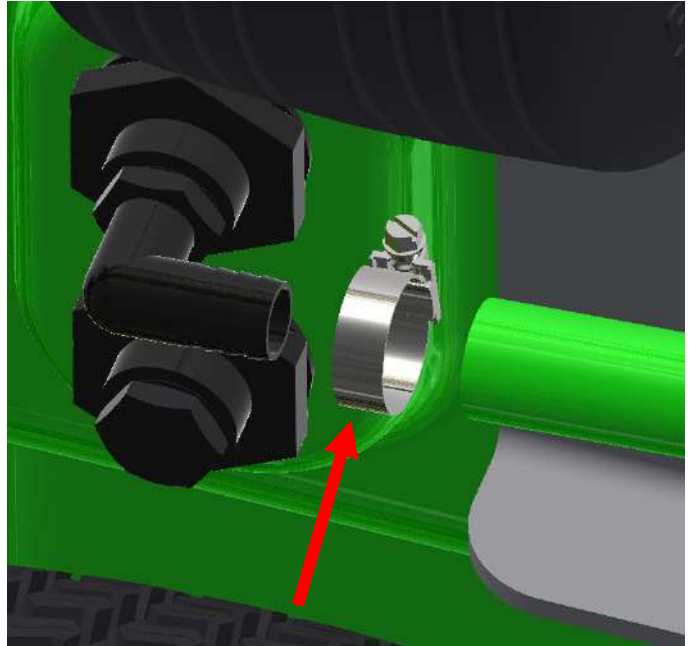
NOTE: Repeat this step for the left side.



DOUBLE SPRAY PUMP INSTALLATION

- Connect the other end of the hose to the suction port of the tank.

NOTE: Repeat this step for the left side.



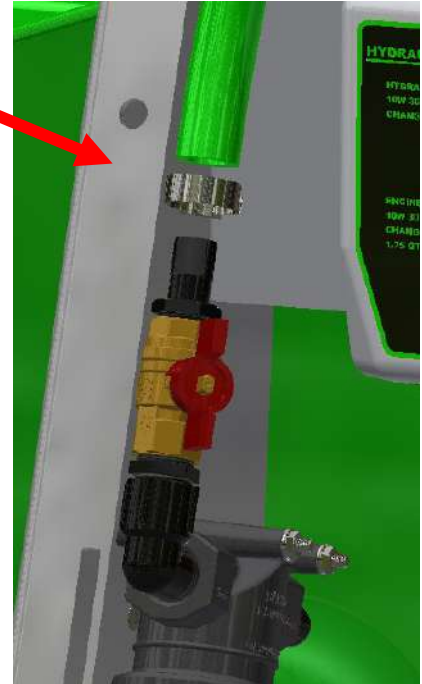
- Reattach the protection shields to both sides of the machine.



DOUBLE SPRAY PUMP INSTALLATION

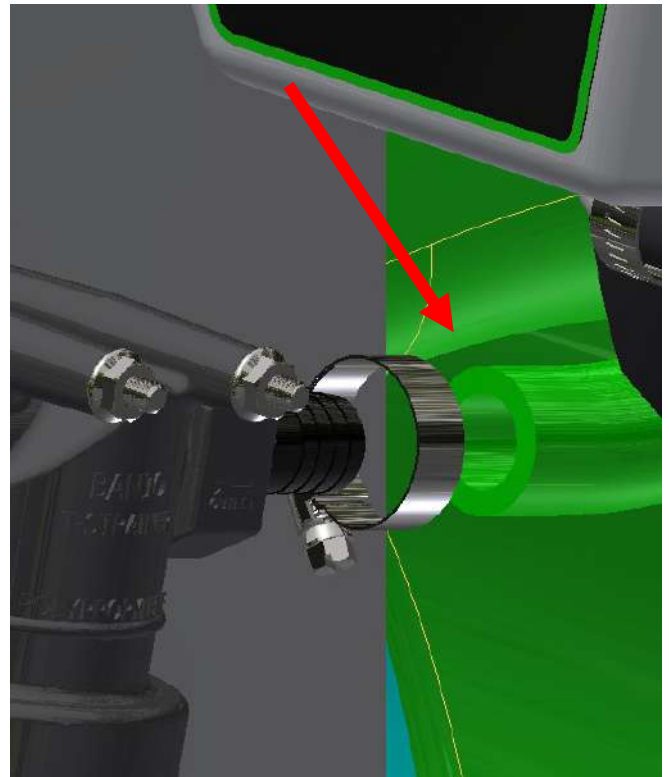
STEP 20: Connect the “green” 1” X 16” hose to the inlet valve of the strainer & securely fasten with hose clamp.

NOTE: *The other end of the hose will come pre-fastened to the suction hose assembly.*



STEP 21:

- Connect the end of the “green” 1” X 23-12” hose to the outlet port of the strainer.
- Securely fasten with hose clamp.
- Route the hose through the upright, & up to the pump.



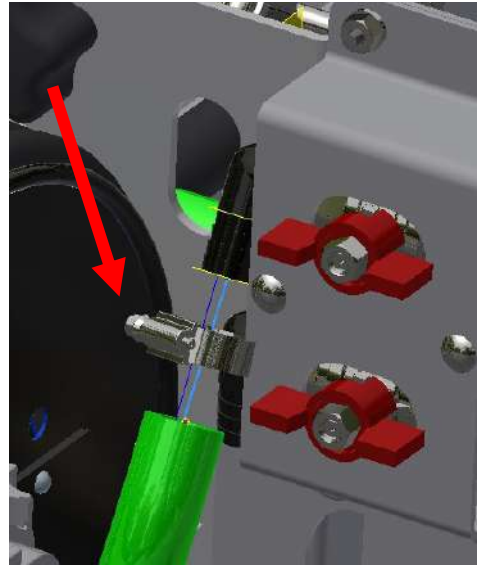
DOUBLE SPRAY PUMP INSTALLATION

NOTE: Proceed with step 22-24 ONLY if your machine is equipped with optional 35 gallon tank.

NOTE: The other end of the hose is pre-fastened to the suction hose assembly (ref. step nineteen).

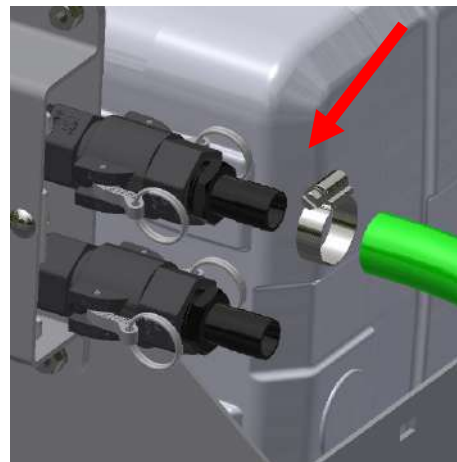
STEP 22:

- Connect the end of the “green” 1” X 32-3/4” hose to the suction quick disconnect valve.
- Securely fasten with hose clamp.



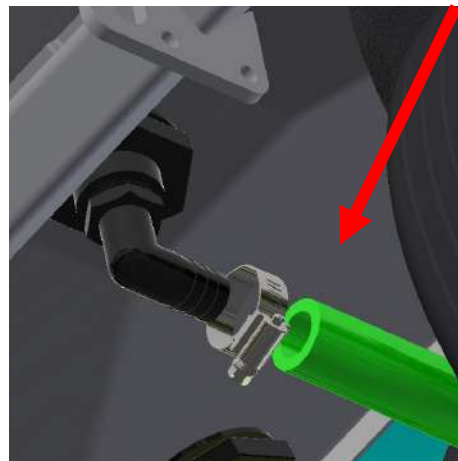
STEP 23:

- Connect one end of “green” 1” X 46-1/2” hose to the quick disconnect valve.
- Securely fasten with hose clamp.
- Route the down in front of the engine to the bottom of the 35 gallon tank.



STEP 24:

- Connect the other end of “green” 1” X 46-1/2” hose to the suction port on the bottom of the 35 gallon tank.
- Securely fasten with hose clamp.



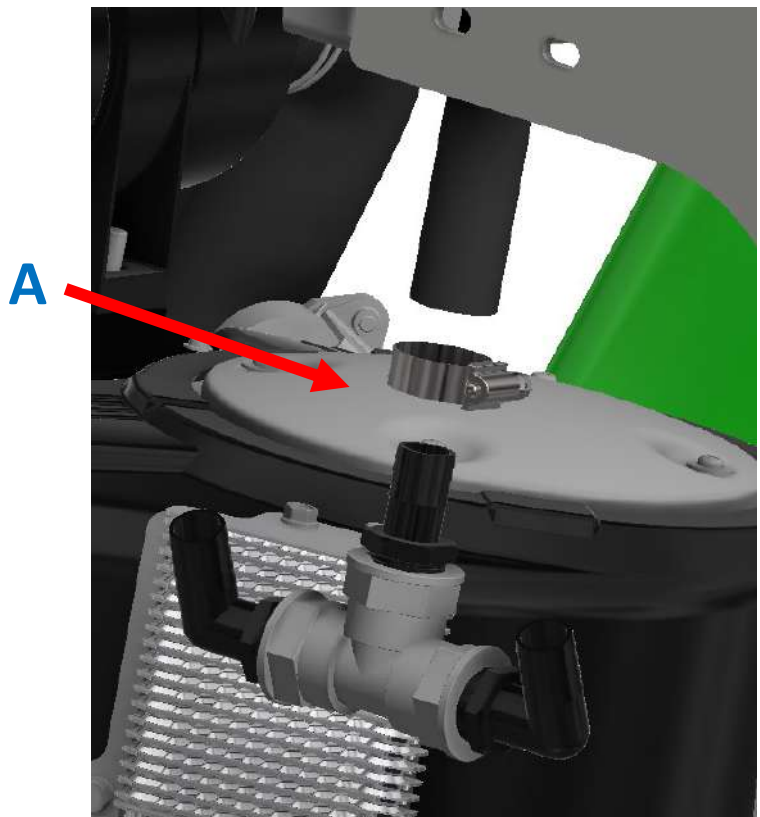
DOUBLE SPRAY PUMP INSTALLATION

NOTE: ALL hoses are to be.....

- Securely fastened with hose clamps.
- Free of sharp edges and hot areas.

STEP 25:

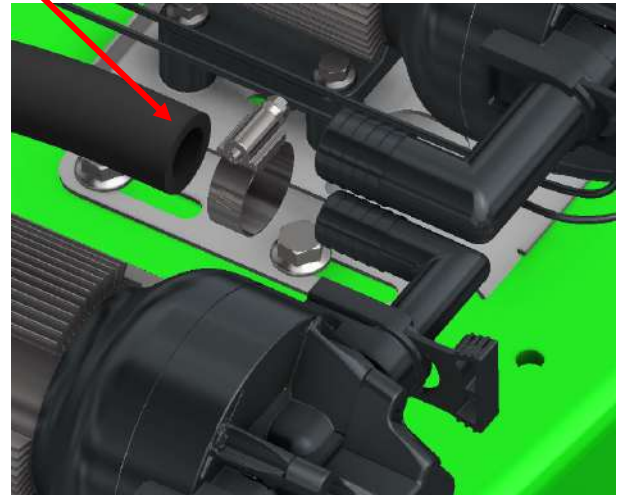
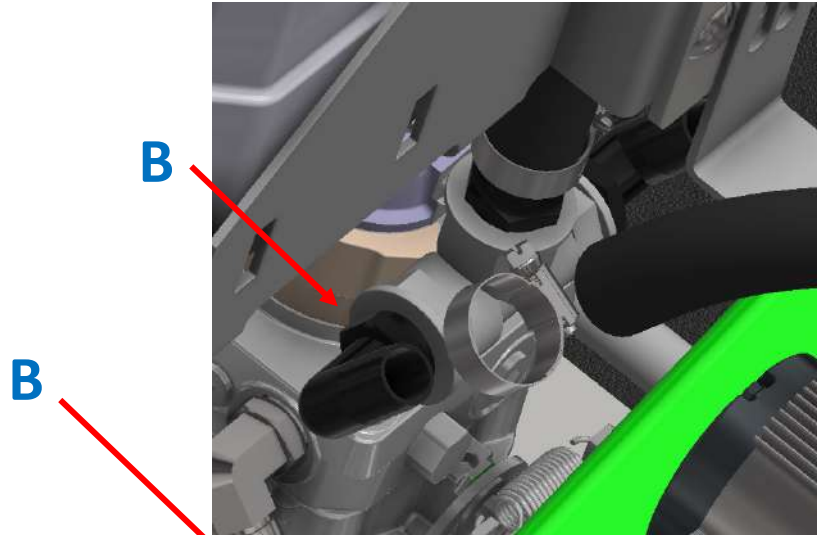
- Cut 3/4" return hose 16" long.
- Connect one end of the hose to the spray manifold inlet barb fitting
- Connect the 3/4" tee fitting assembly to the other end.
- Securely fasten with 12HS hose clamps.



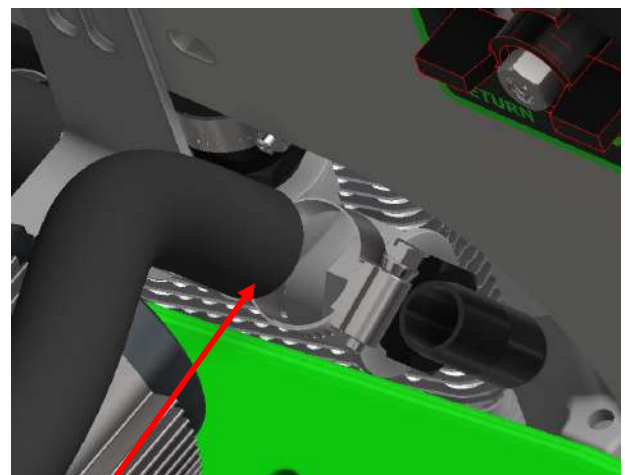
DOUBLE SPRAY PUMP INSTALLATION

STEP 26:

- Cut 3/4" return hose. (length as needed)
- Connect one end of the hose to the front elbow fitting and the other end to the "outlet port" of spray pump 1.



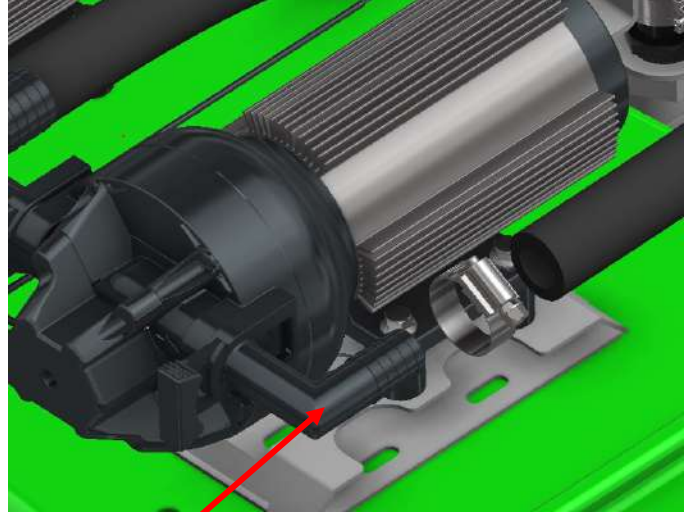
- Cut 3/4" return hose. (length as needed)
- Connect one end of the hose to the rear elbow fitting and connect the other end to the "outlet port" of spray pump 2.



C

DOUBLE SPRAY PUMP INSTALLATION

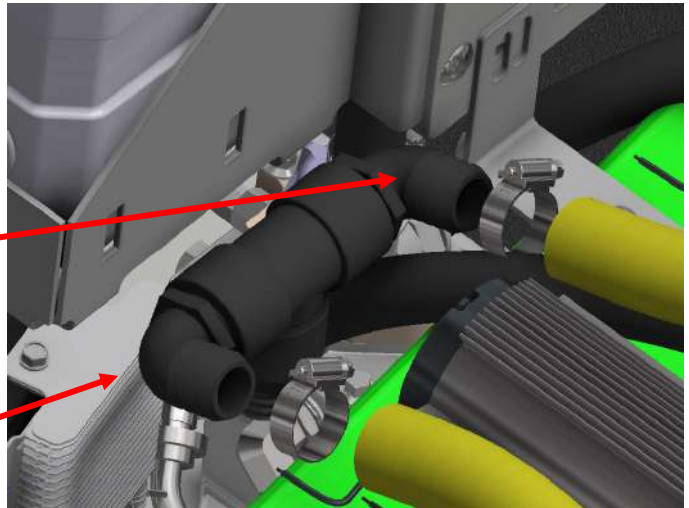
- Cut 3/4" return hose. (length as needed)
- Connect one end of the hose to the rear elbow fitting and connect the other end to the "outlet port" of spray pump 2.



C

STEP 27:

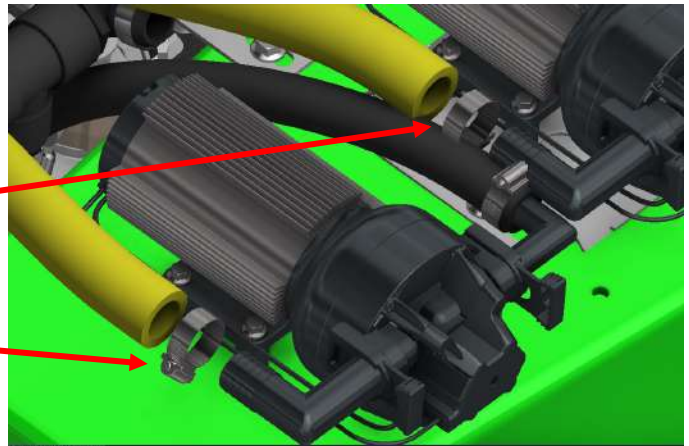
- Cut (2) 1" suction hoses (length as needed).
- Connect one end of each hose to the 1" tee fitting assembly.



E

D

- Connect the other end of each 1" hose to the suction ports on the spray pumps.



E

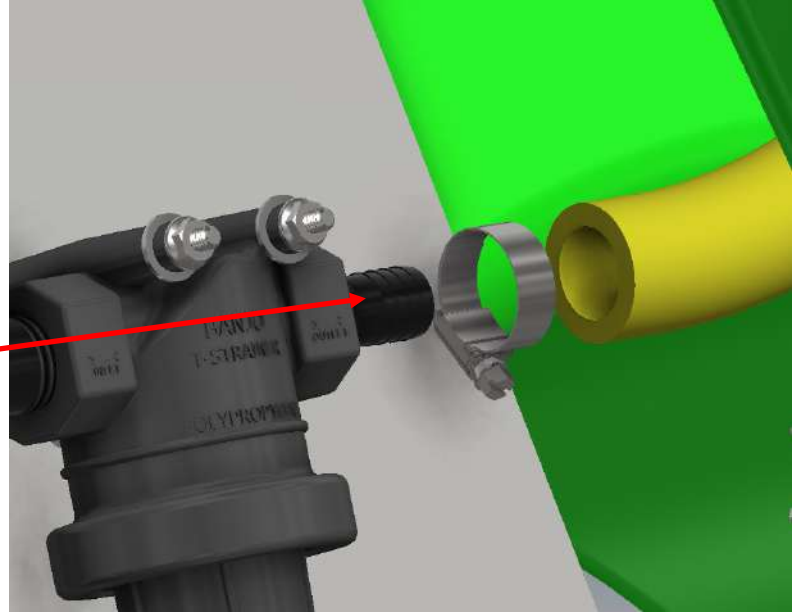
D

DOUBLE SPRAY PUMP INSTALLATION

STEP 28:

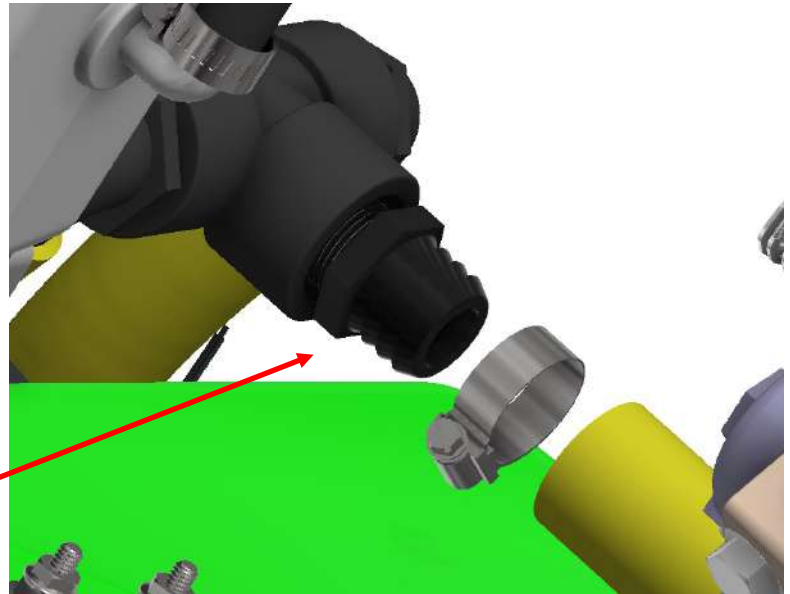
- Cut 1" suction hose (length as needed).
- Connect the hose to the strainer "inlet port".

F



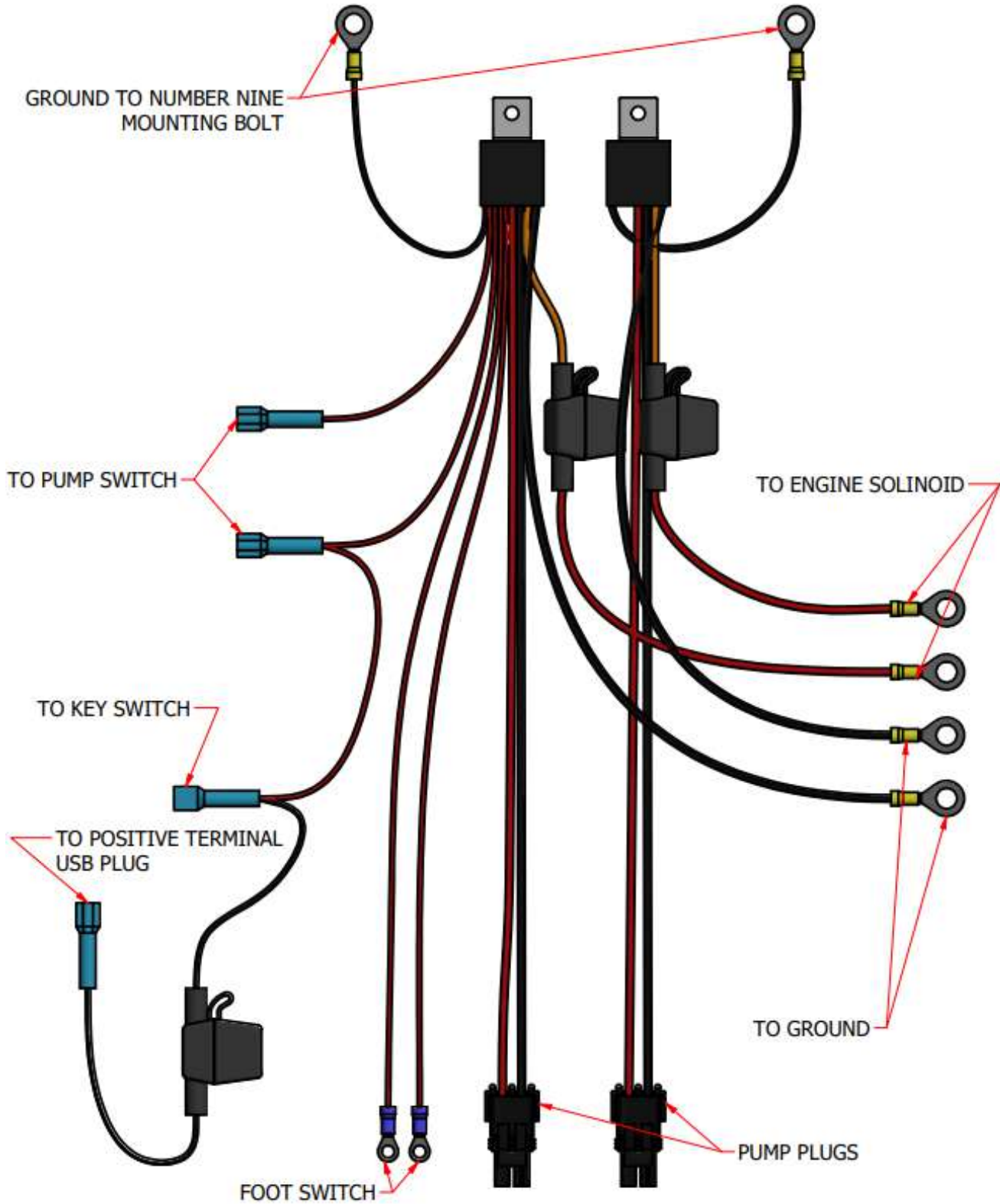
- Connect the other end of the 1" hose to the bottom of the 1" tee fitting assembly.

F



DOUBLE SPRAY PUMP INSTALLATION

DUAL PUMP HARNESS (SG-FT-DUAL)



DOUBLE SPRAY PUMP INSTALLATION

CAUTION!

Before beginning any of the following instructions **BESURE** all the tanks have been drained

NOTE:

- Disconnect the battery, ground first and then power wire.
- Before starting the following steps the existing pump wiring harness will need to be removed.



GROUND

POWER

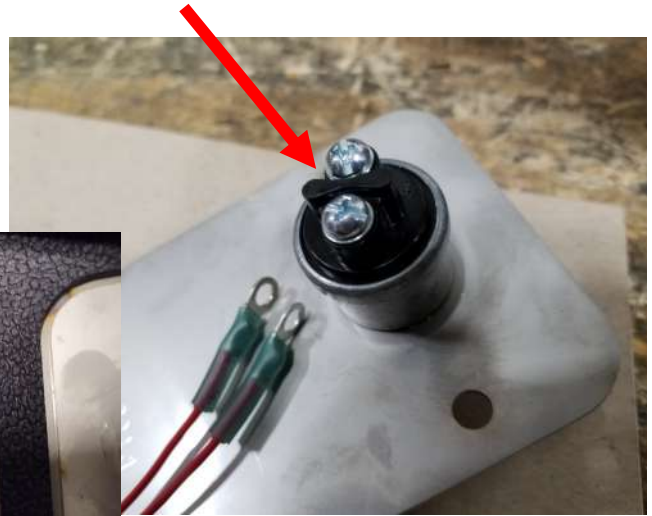
STEP 29:

- Attach the harness relay ground wires to the nut on the suction\return valve assembly on the "right side".
- Secure the relay end of the harness to the suction hose with zip ties.



DOUBLE SPRAY PUMP INSTALLATION

STEP 30: Route the wires for the foot switch down the upright with the existing bundle, through the hole in the foot board and connect them to the foot switch.

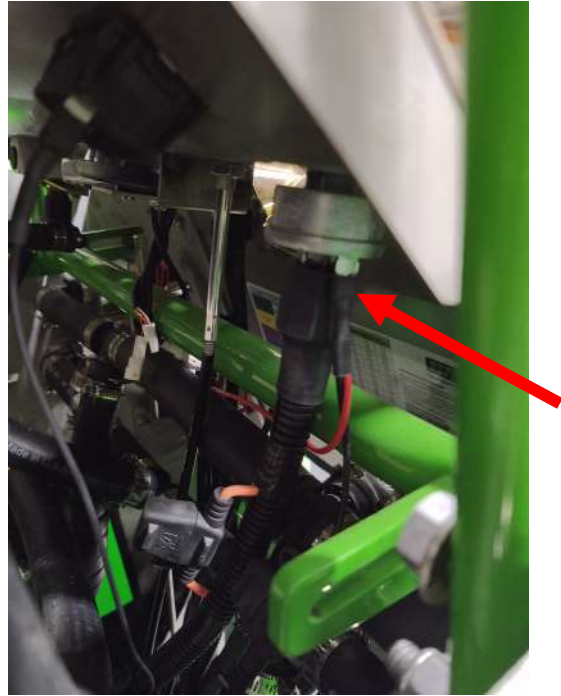


STEP 31: Connect the pump power switch wires to the "rocker switch"



DOUBLE SPRAY PUMP INSTALLATION

STEP 32: Connect the wire for the key switch.



STEP 33: Connect the “fused” connector to the positive terminal on the usb port.

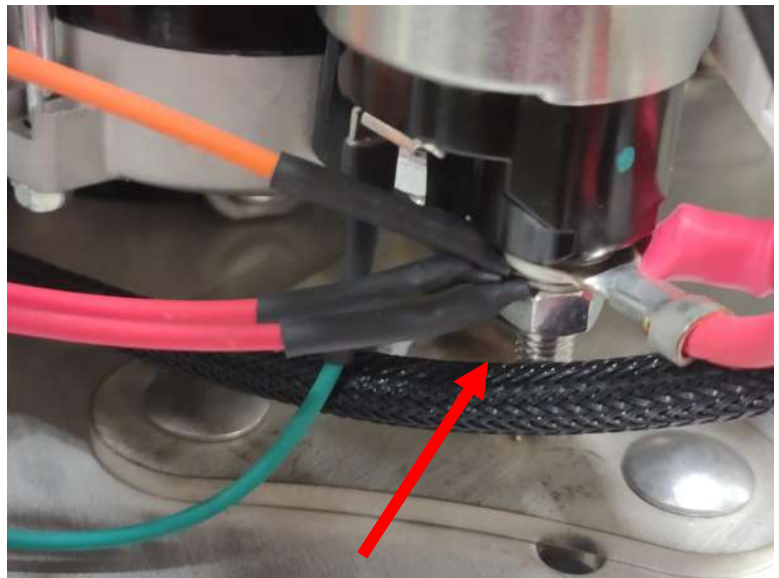


DOUBLE SPRAY PUMP INSTALLATION

STEP 34: Connect the #9 ground wires to the upright cross member.



STEP 35: Connect the red power wires to the engine solenoid.

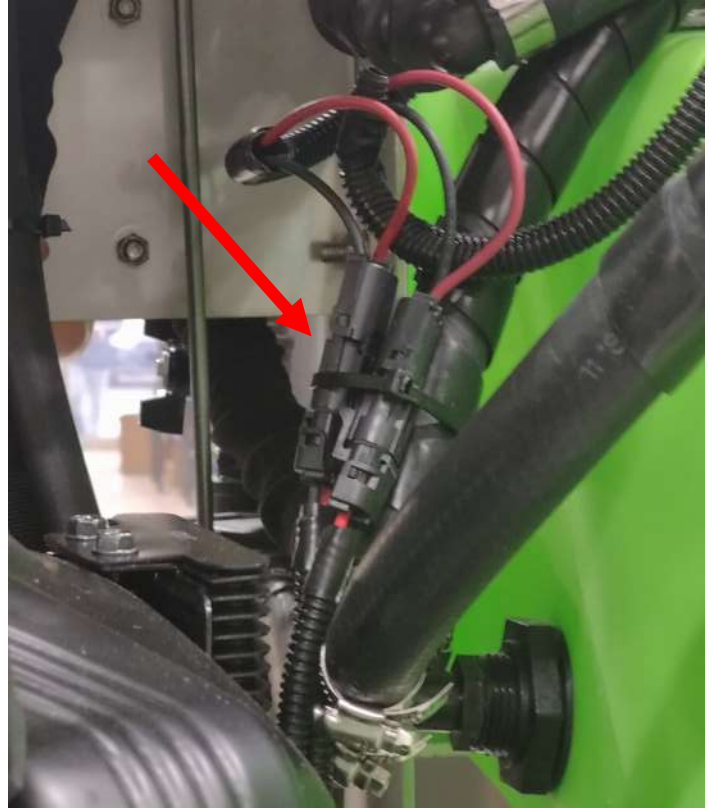


DOUBLE SPRAY PUMP INSTALLATION

STEP 36:

- Connect both pump plugs to the harness .
- Zip tie the plugs to the suction hose as shown.

NOTE: Check the harness and make sure it is neatly routed and zip tied away from moving and hot parts..



STEP 37:

- Reconnect the battery cables, power cable and wires first followed by the ground wire.
- Connect the power and ground cables from the harness.
- Attach the battery box cover and bungee strap.



GROUND

POWER



MADE IN THE USA

Steel Green Mfg.
824 S State Road 39
Lebanon, IN 46052
(765)-481-2890

www.steelgreenmfg.com

MANUAL PART NO.	MANUAL REV.	DESCRIPTION	KIT PART NO.
SGM-015	D	SG DOUBLE SPRAY PUMP	P60004