

STEELGREEN MANUFACTURING™

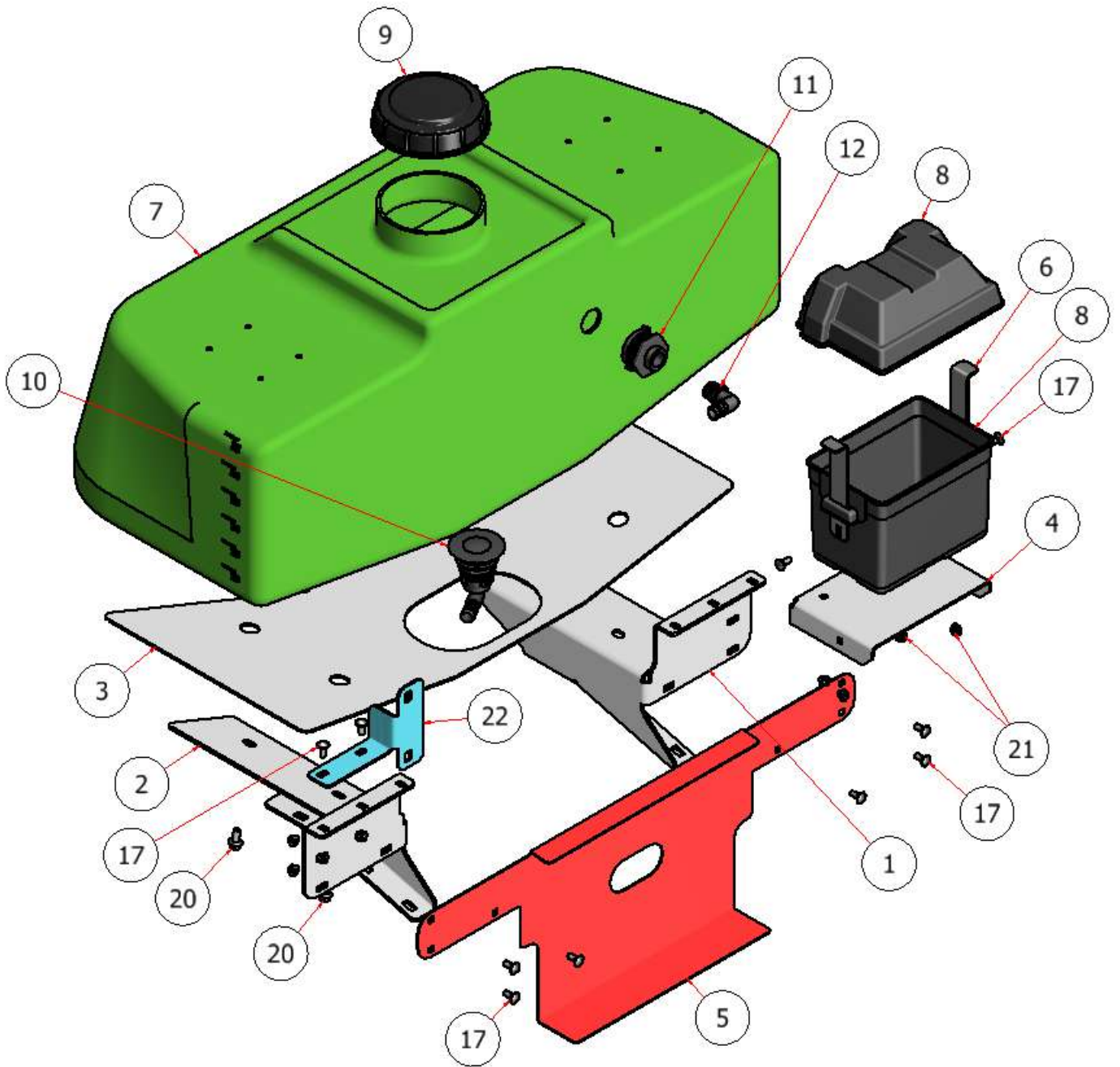
INSTRUCTION MANUAL

35 GALLON TANK ATTACHMENT

Models: SG46, & SG52



35 GALLON INSTALL INSTRUCTIONS

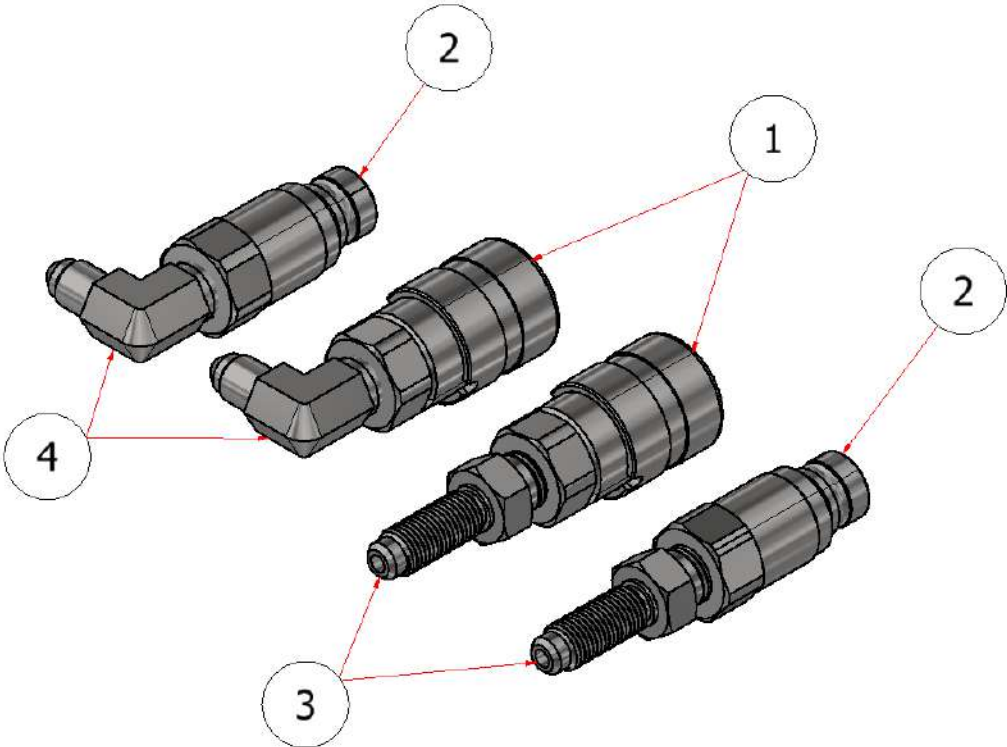


35 GALLON INSTALL INSTRUCTIONS

PARTS LIST			
ITEM	QTY	PART NUMBER	DESCRIPTION
1	1	R22-150-01	TANK SUPPORT BRACKET, 35 GAL., RIGHT
2	1	R22-150_MIR	TANK SUPPORT BRACKET, 35 GAL., LEFT
3	1	R22-151	TANK PLATE, 35 GAL.
4	1	R22-152	BATTERY BOX SUPPORT, 35 GAL.
5	1	R22-160-01	FERT SHIELD, 35 GAL.
6	2	R21-214	BRACKET, BATTERY BOX
7	1	M10035-GREEN	TANK, 35 GALLON
8	2	E40002	BATTERY BOX
9	1	S51243	CAP, TANK
10	1	S52200	KIT, BULKHEAD, 3/4
11	1	S51242	BULKHEAD FITTING, TANK
12	1	S52029	BARB, 3/4 MPT x 3/4 BARB 90
17	12	CB-51634	CARRIAGE BOLT, SS - 5/16-18 x 3/4
20	4	HFSSC-3875	HEX BOLT, 3/8 X 3/4
21	12	HFNCS-516S	HEX NUT 5/16
22	1	R22-159	FOAM MARKER BRACKET, 35 GALLON TANK

35 GALLON INSTALL INSTRUCTIONS

QUICK CONNECT KIT - K10029



PARTS LIST			
ITEM	QTY	PART NUMBER	DESCRIPTION
1	2	H80510	FLAT FACE COUPLER, 1/4 FNPT
2	2	H85011	FLAT FACE NIPPLE, 1/4 FNPT
3	2	H84043	BULKHEAD FITTING, 1/4 JIC X 1/4 NPT
4	2	H84062	ELBOW FITTING, 1/4" NPT X 1/4" JIC

35 GALLON INSTALL INSTRUCTIONS

STEP 1:

- Disconnect the battery, *ground* first and then *power* wire.
- Remove the battery from the battery box.

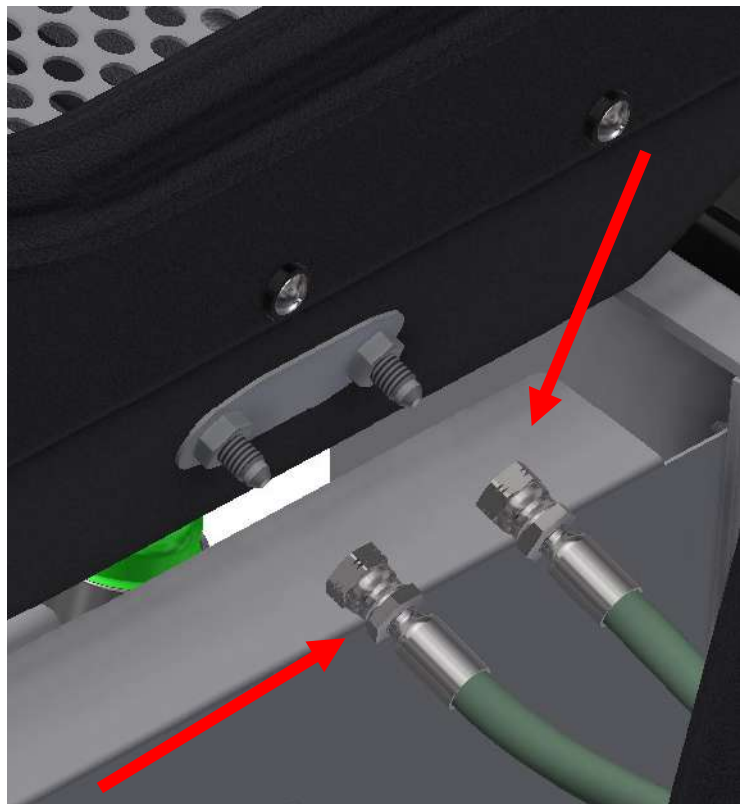


GROUND

POWER

STEP 2: Disconnect the hoses from the hopper.

NOTE: Hold the hoses up to prevent oil spillage



35 GALLON INSTALL INSTRUCTIONS

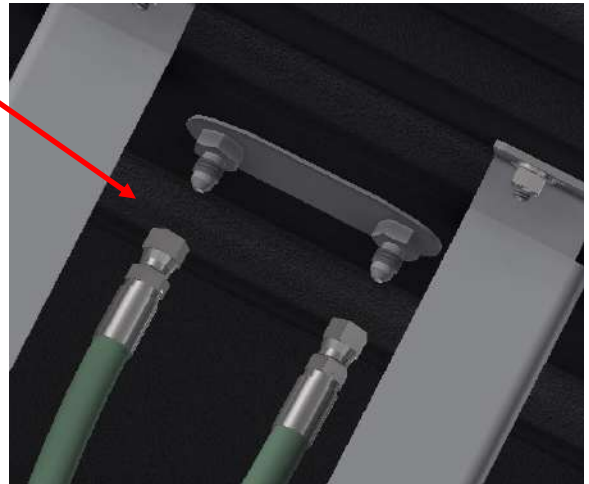
STEP 3: QUICK CONNECT INSTALL

NOTE: *Be sure the hopper is drained before starting the following steps.*

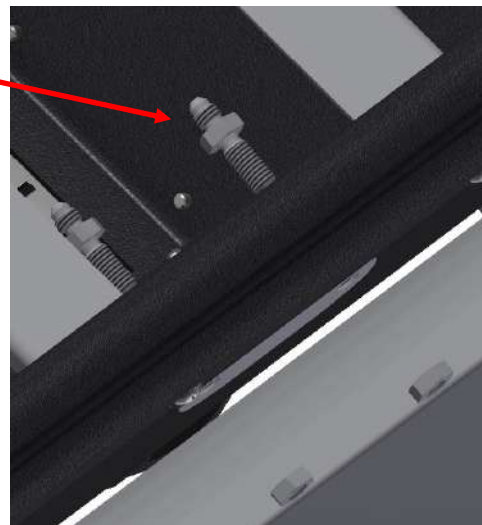
- Remove the grate.



- Disconnect the hopper motor hoses from the bulkhead fittings.



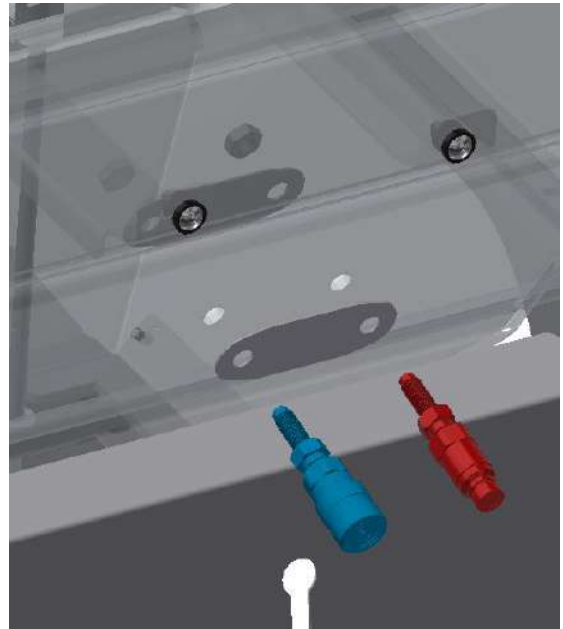
- Remove the bulkhead fittings from the hopper.



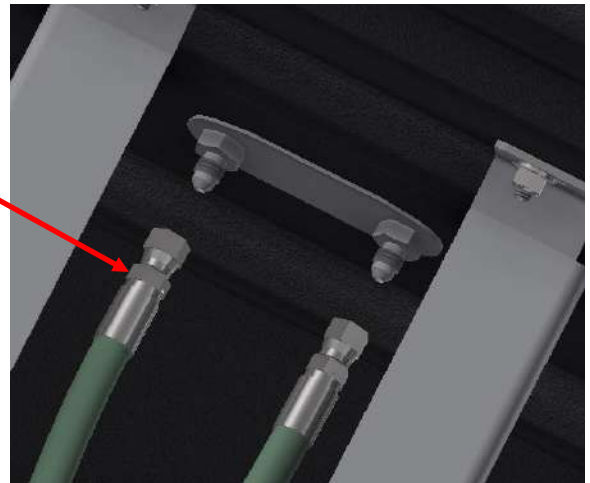
35 GALLON INSTALL INSTRUCTIONS

- Attach the quick couplers provided with the kit to the hopper.

NOTE: Be sure the FEMALE quick connect is on the LEFT SIDE (SHOWN BLUE) and the MALE quick connect is on the RIGHT SIDE (SHOWN RED).



- Reconnect the hopper motor hoses.

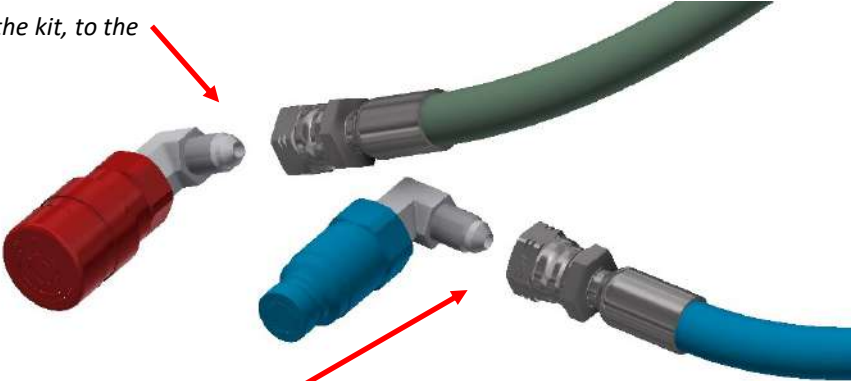


- Reinstall the grate.



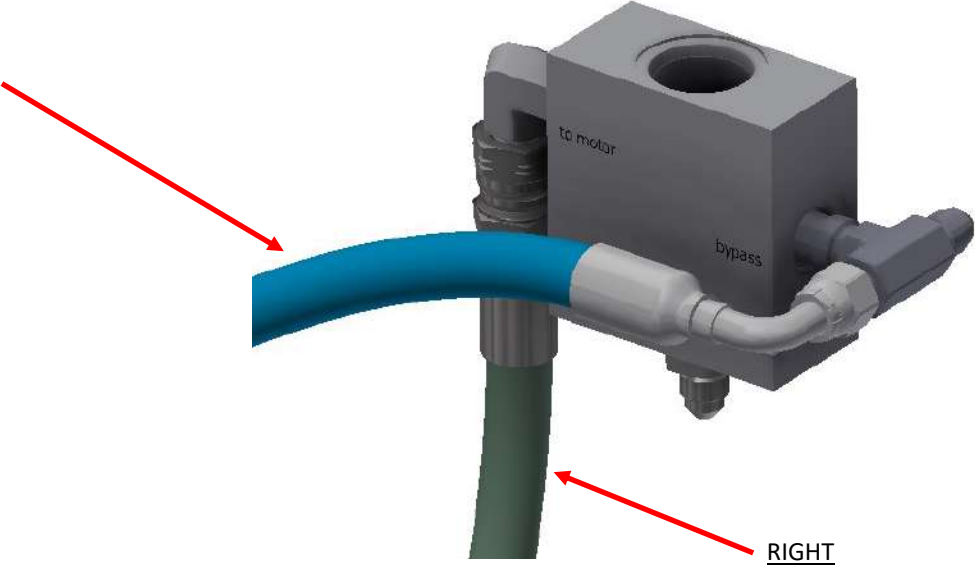
35 GALLON INSTALL INSTRUCTIONS

- Connect the *FEMALE* end provided with the kit, to the end of the *RIGHT SIDE* hose.



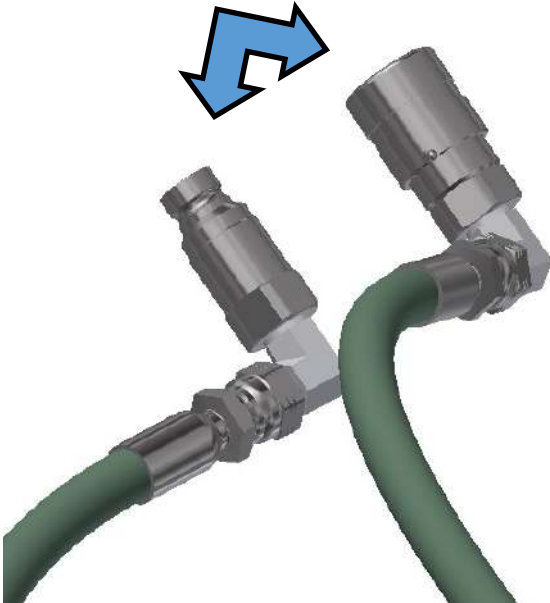
- Connect the *MALE* end provided with the kit, to the end of the *LEFT SIDE* hose.

LEFT



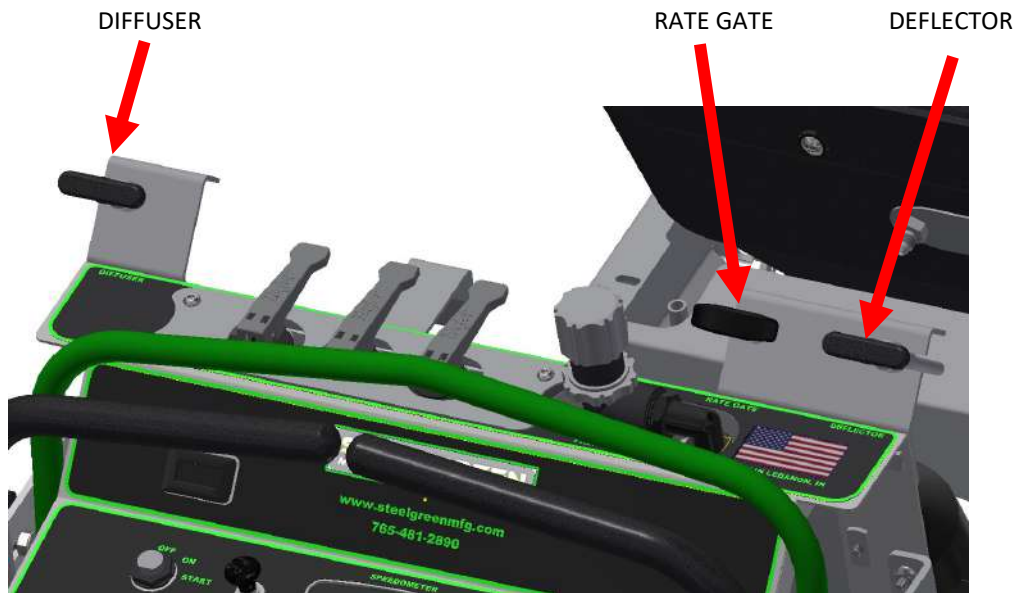
RIGHT

- Once the qd's have been attached, connect the hoses together to create hydraulic loop.



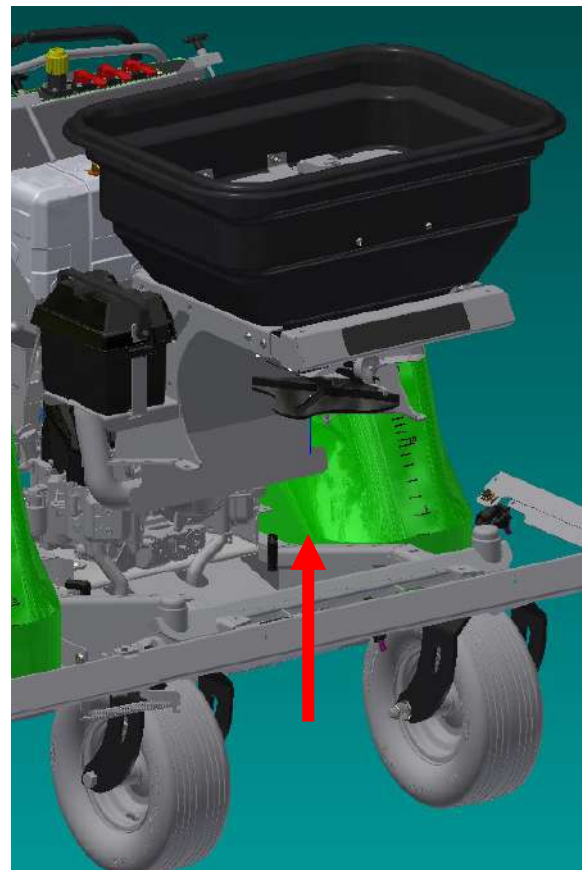
35 GALLON INSTALL INSTRUCTIONS

STEP 4: Disconnect the cables from the dash.



NOTE: Be sure the hopper is empty before proceeding.

STEP 5: Remove the six bolts that hold the hopper assembly to the frame and lift the hopper assembly from the frame.



35 GALLON INSTALL INSTRUCTIONS

STEP 6:

- Set the 35 gallon tank assembly on the frame.
- Attach it to the frame with the six bolts.

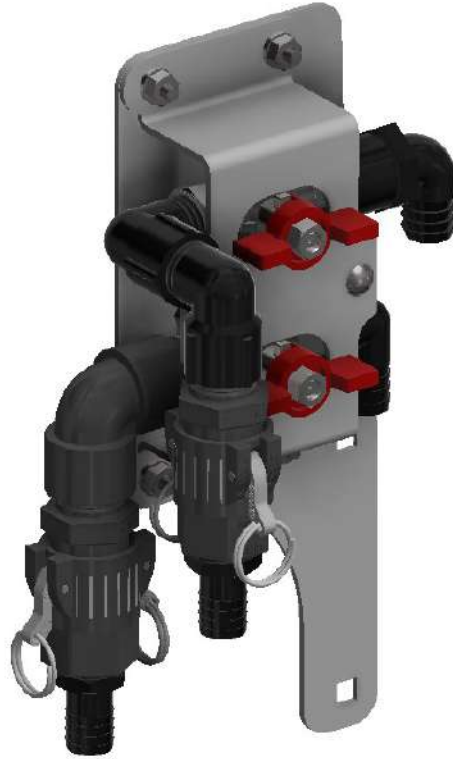


35 GALLON INSTALL INSTRUCTIONS

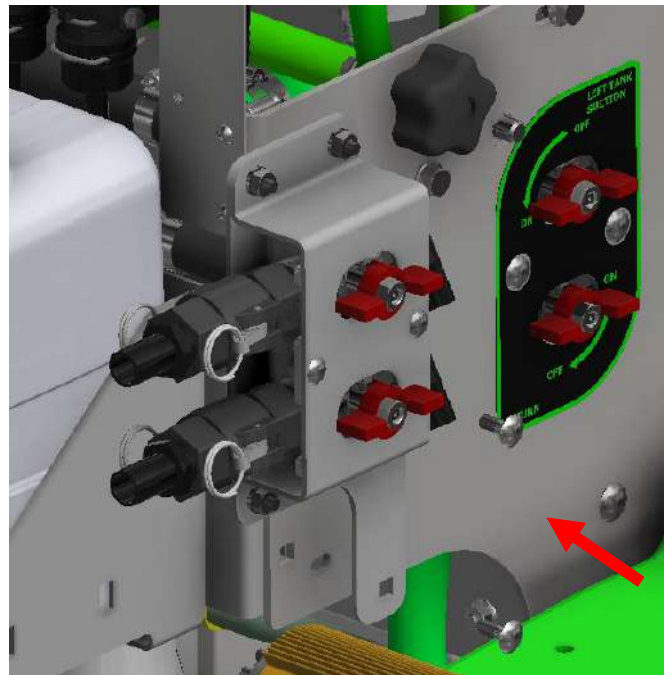
VALVE ASSEMBLY



VALVE ASSEMBLY W/FOAM MARKER



STEP 7: Remove the (2) bolts that secure the gas tank support and Attach the valve assembly to the *left* side of the upright.



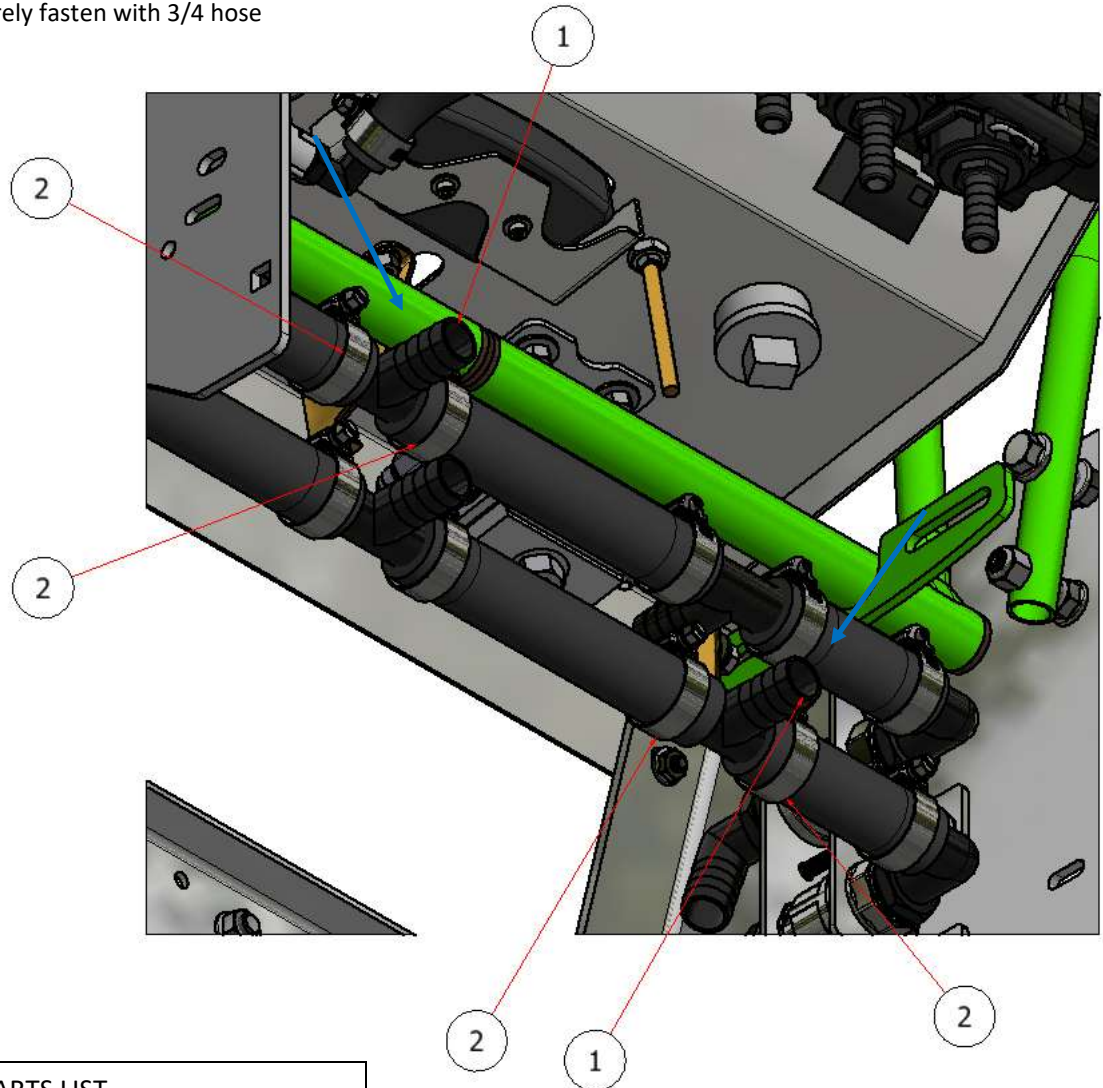
35 GALLON INSTALL INSTRUCTIONS

NOTE:

- Before beginning step seven, BE SURE there is no pressure on the lines and fluid is drained.
- Parts removed for clarity.

STEP 8:

- Remove the knee pad to access the return & suction lines.
- Carefully cut and install the “tee” fittings in the “suction” and “return” lines as shown (blue arrows). Securely fasten with 3/4 hose clamps.



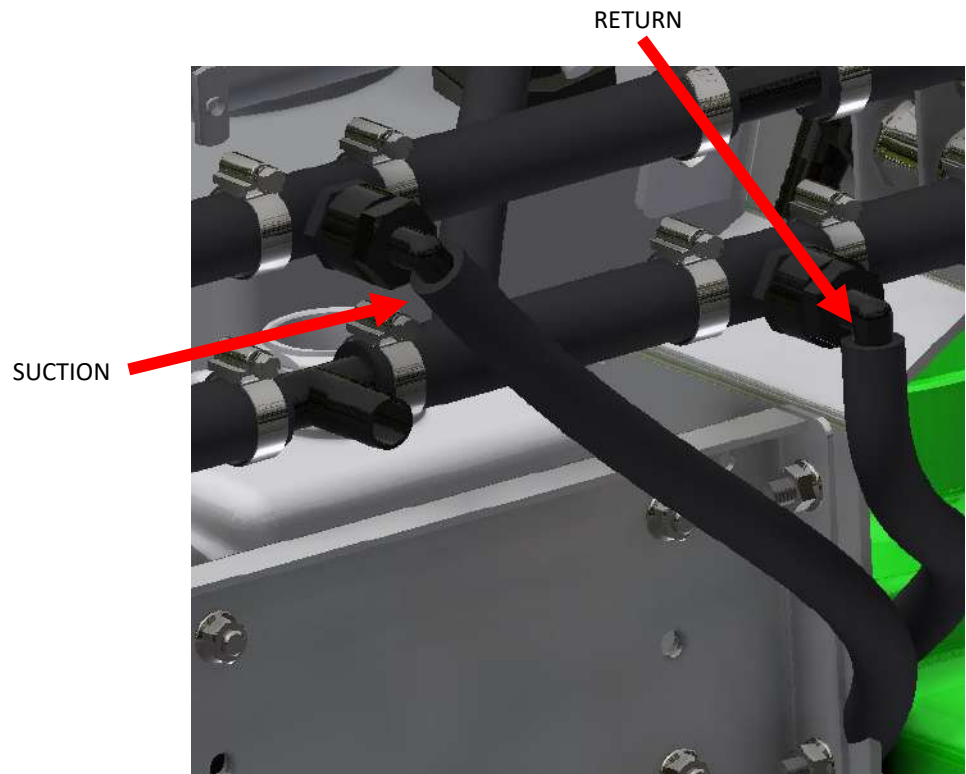
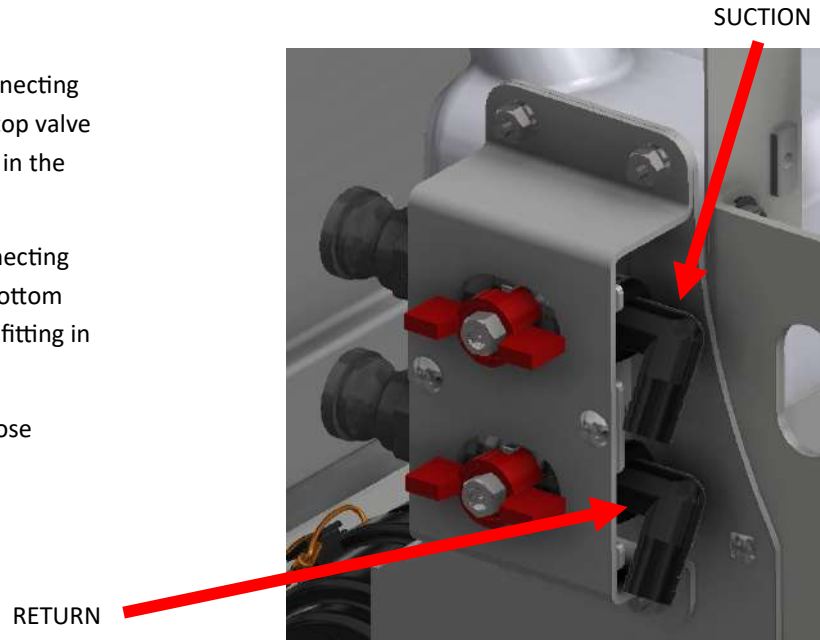
PARTS LIST

ITEM	QTY	PART NUMBER	DESCRIPTION
1	4	12HS	HOSE CLAMP, 3/4
2	2	S50062	TEE FITTING, 3/4 HOSE

35 GALLON INSTALL INSTRUCTIONS

STEP 9:

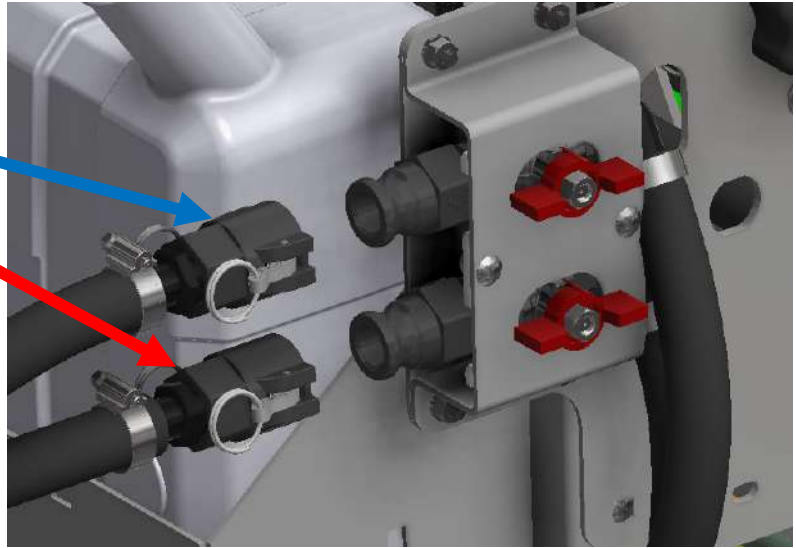
- Cut and install 3/4" suction hose, connecting one end to the suction fitting on the top valve and the other end to the "tee" fitting in the suction line.
- Cut and install 3/4" return hose, connecting one end to the return fitting on the bottom valve and the other end to the "tee" fitting in the return line.
- Securely fasten each end with 3/4" hose clamp.



35 GALLON INSTALL INSTRUCTIONS

STEP 10: Connect the “quick disconnect” hoses from the tank to the valves.

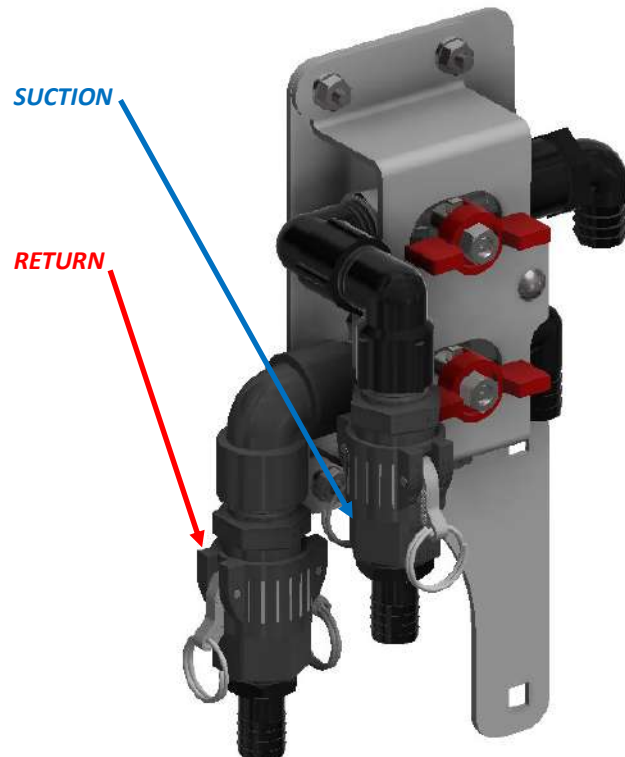
- Top valve is **SUCTION**.
- Bottom valve is **RETURN**.



VALVE ASSEMBLY



VALVE ASSEMBLY W/FOAM MARKER



35 GALLON INSTALL INSTRUCTIONS

STEP 11:

- Set the battery in the battery box.
- Reconnect the battery cables, power cable and wires first followed by the ground wire.
- Attach the battery box cover and bungee strap.



GROUND

POWER



MADE IN THE USA

Steel Green Mfg.
824 S State Road 39
Lebanon, IN 46052
(765)-481-2890
www.steelgreenmfg.com

MANUAL PART NO.	MANUAL REV.	DESCRIPTION	KIT PART NO.
SGM-008	E	35 GALLON TANK ATTACHMENT	