

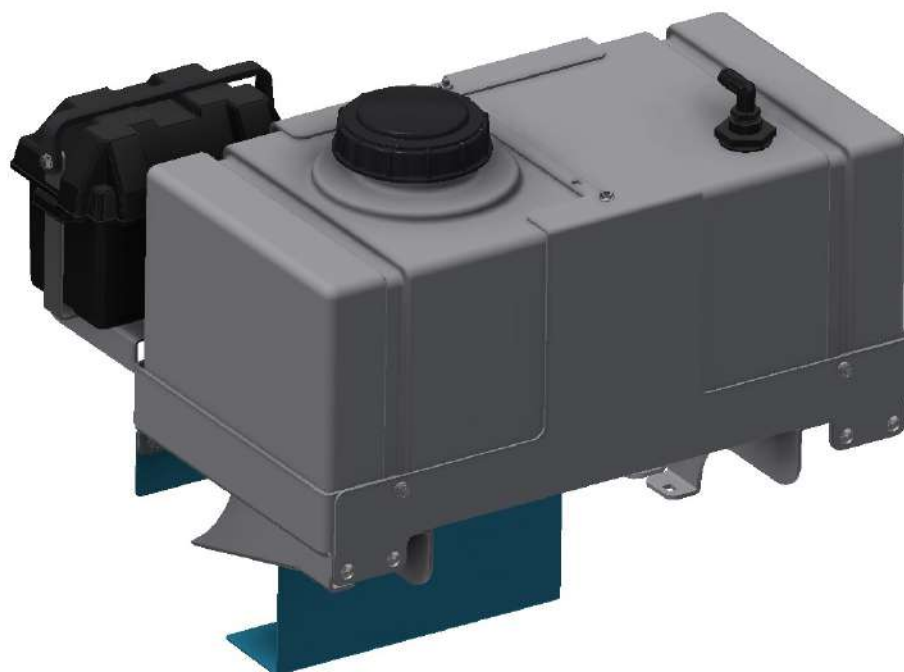
STEELGREENTM

M A N U F A C T U R I N G

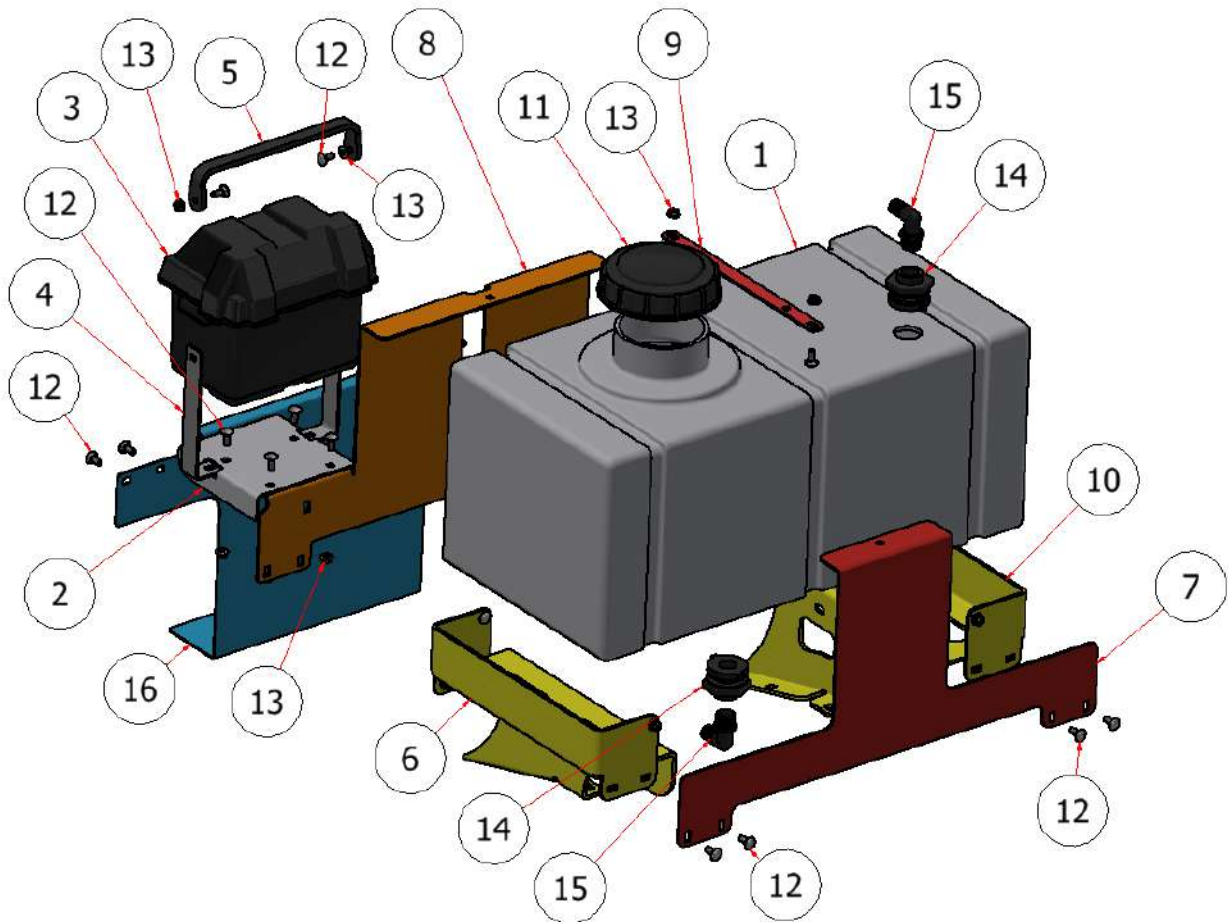
INSTRUCTION MANUAL

20 GALLON TANK ATTACHMENT

Models: SG36, SG42



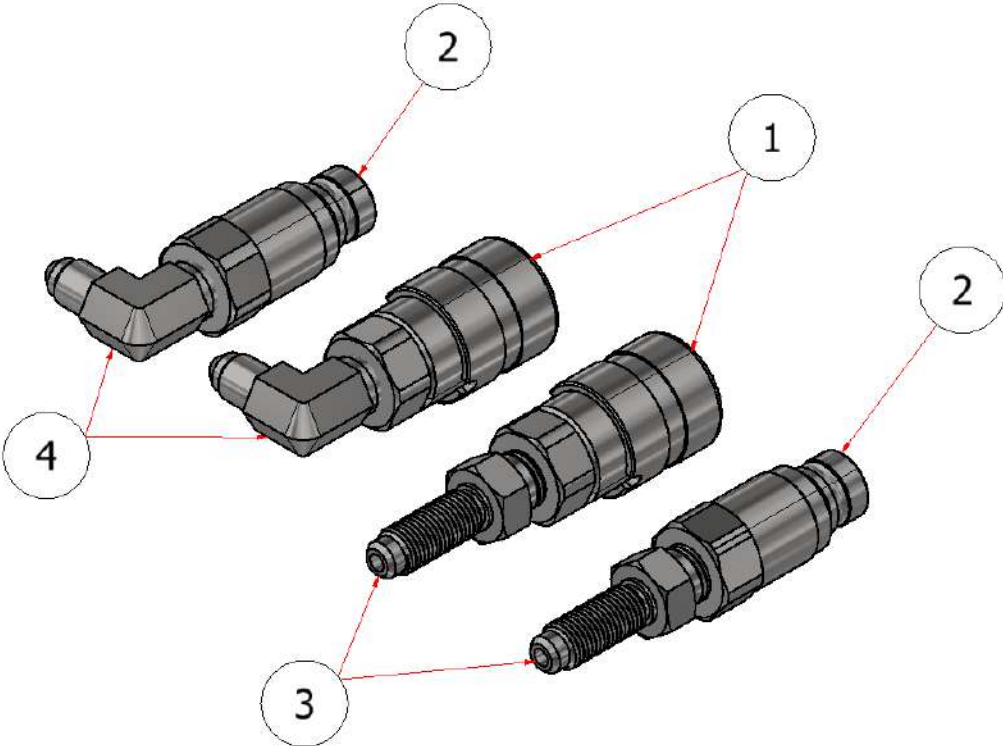
20 GALLON INSTALL INSTRUCTIONS



PARTS LIST			
ITEM	QTY	PART NUMBER	DESCRIPTION
1	2	M10020	TANK, 20 GALLON
2	1	R22-025	SUPPORT, BATTERY BOX
3	2	E40002	BATTERY BOX
4	2	R21-042	BRACKET, BATTERY
5	1	TSR-10	STRAP, BATTERY
6	1	R22-087-01	FRAME, RIGHT SIDE, 20 GALLON TANK
7	1	R22-088	FRAME, FRONT, 20 GALLON TANK
8	1	R22-089	FRAME, REAR, 20 GALLON TANK
9	1	R22-090	FRAME, CROSS BRACE, TOP, 20 GALLON TANK
10	1	R22-087-L	FRAME, LEFT SIDE, 20 GALLON TANK
11	1	S51243	CAP, TANK
12	20	CB-51634	CARRIAGE BOLT, SS - 5/16-18 x 3/4
13	20	HFNCS-516S	HEX FLANGE NUT, SS - 5/16
14	2	S51242	BULKHEAD FITTING, TANK
15	2	S52029	BARB, 3/4 MPT x 3/4 BARB 90
16	1	R22-173-02	DEBRIS SHEILD, 35 GALLON TANK

20 GALLON INSTALL INSTRUCTIONS

QUICK CONNECT KIT - K10029



PARTS LIST			
ITEM	QTY	PART NUMBER	DESCRIPTION
1	2	H80510	FLAT FACE COUPLER, 1/4 FNPT
2	2	H85011	FLAT FACE NIPPLE, 1/4 FNPT
3	2	H84043	BULKHEAD FITTING, 1/4 JIC X 1/4 NPT
4	2	H84062	ELBOW FITTING, 1/4" NPT X 1/4" JIC

20 GALLON INSTALL INSTRUCTIONS

STEP 1:

- Disconnect the battery, *ground* first and then *power* wire.
- Remove the battery from the battery box.

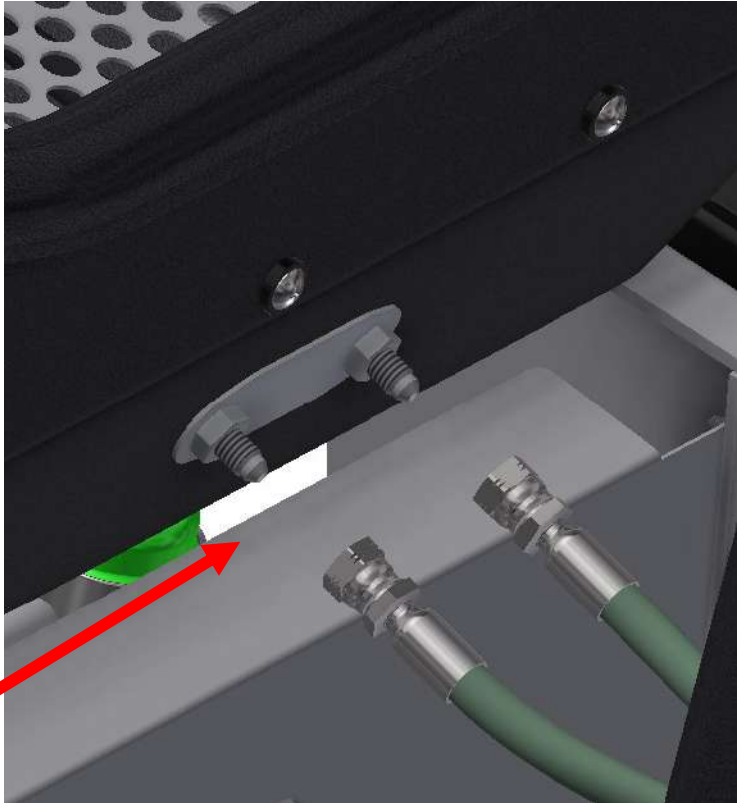


GROUND

POWER

STEP 2: Disconnect the hoses from the hopper.

NOTE: Hold the hoses up to prevent oil spillage



20 GALLON INSTALL INSTRUCTIONS

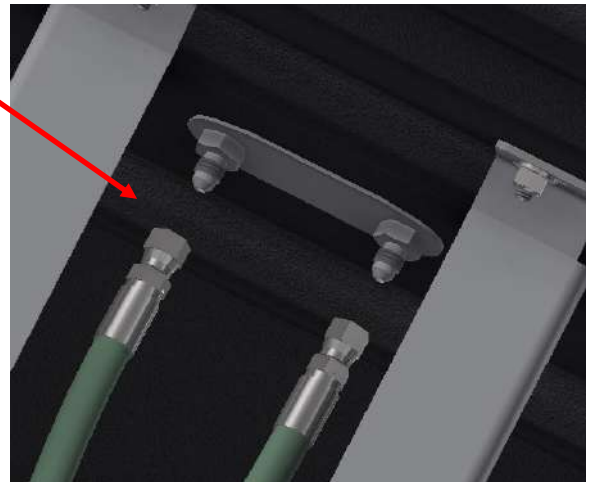
STEP 3: QUICK CONNECT INSTALL

NOTE: *Be sure the hopper is drained before starting the following steps.*

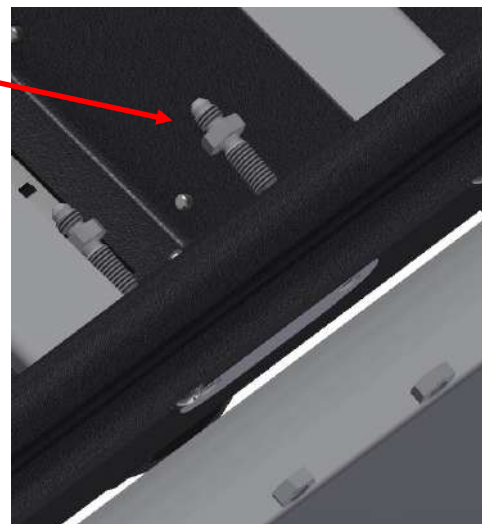
- Remove the grate.



- Disconnect the hopper motor hoses from the bulkhead fittings.



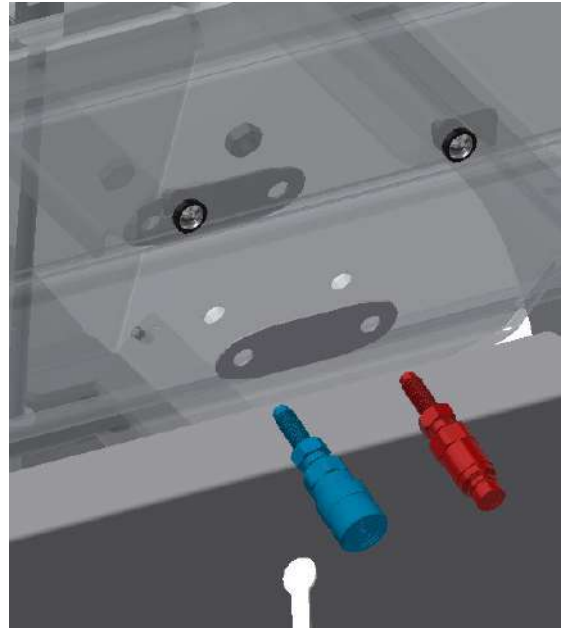
- Remove the bulkhead fittings from the hopper.



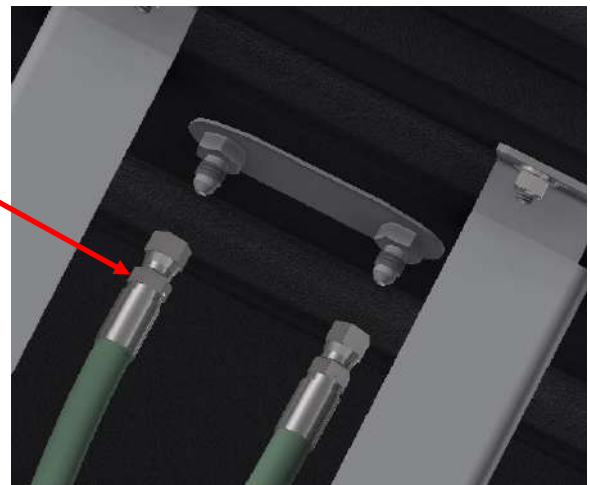
20 GALLON INSTALL INSTRUCTIONS

- Attach the quick couplers provided with the kit to the hopper.

NOTE: Be sure the FEMALE quick connect is on the LEFT SIDE (SHOWN BLUE) and the MALE quick connect is on the RIGHT SIDE (SHOWN RED).



- Reconnect the hopper motor hoses.

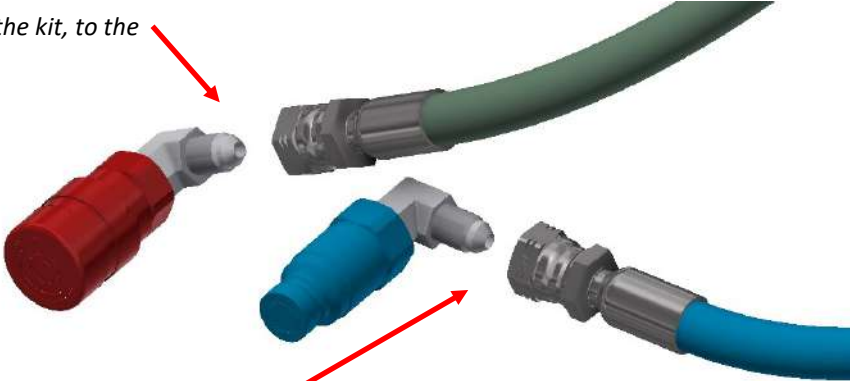


- Reinstall the grate.

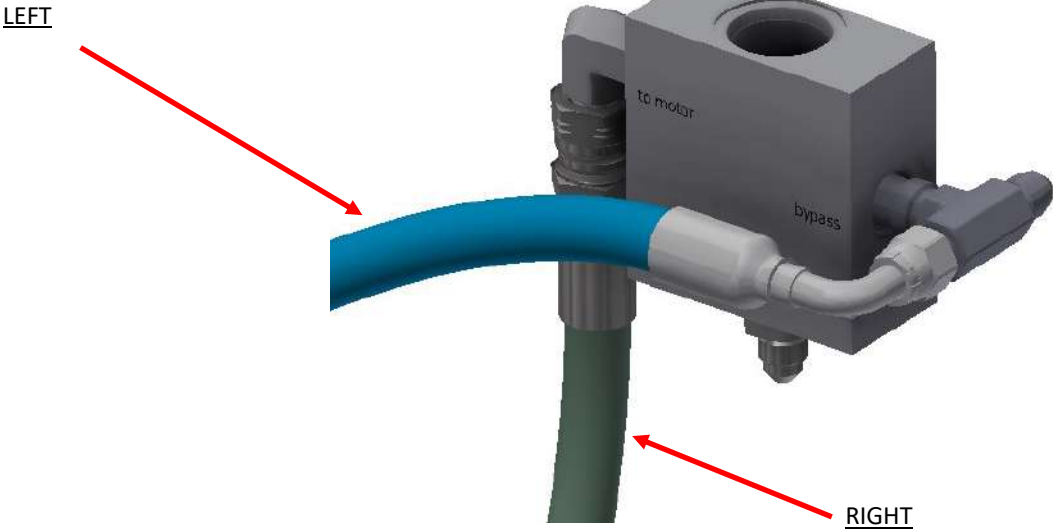


20 GALLON INSTALL INSTRUCTIONS

- Connect the *FEMALE* end provided with the kit, to the end of the *RIGHT SIDE* hose.



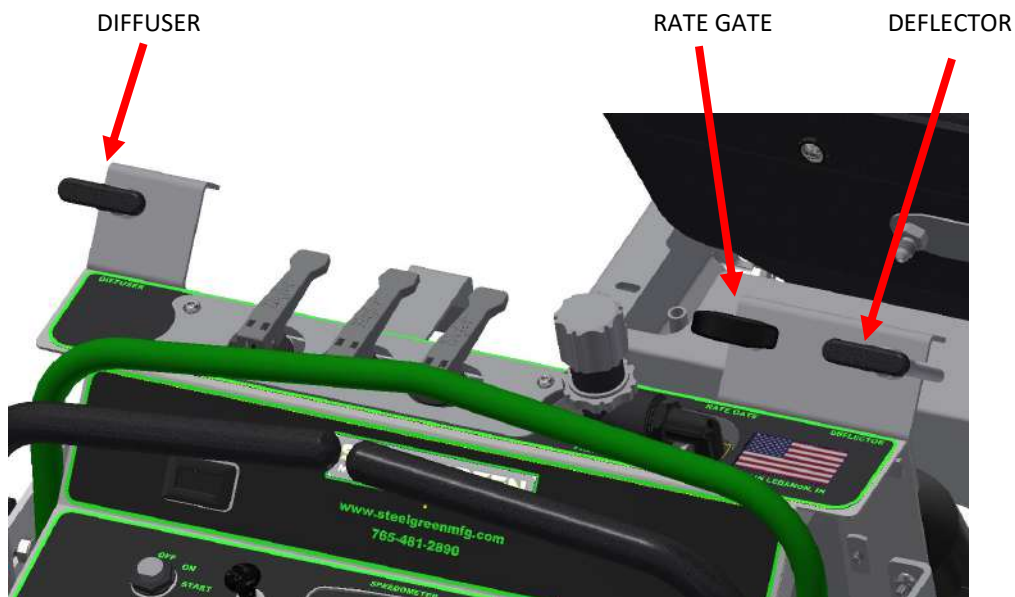
- Connect the *MALE* end provided with the kit, to the end of the *LEFT SIDE* hose.



- Once the qd's have been attached, connect the hoses together to create hydraulic loop.

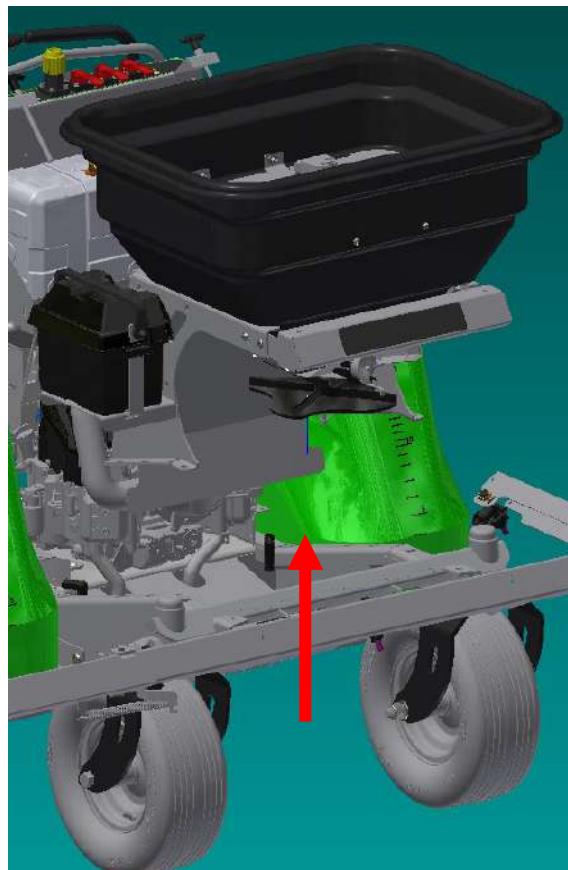
20 GALLON INSTALL INSTRUCTIONS

STEP 4: Disconnect the cables from the dash.



NOTE: Be sure the hopper is empty before proceeding.

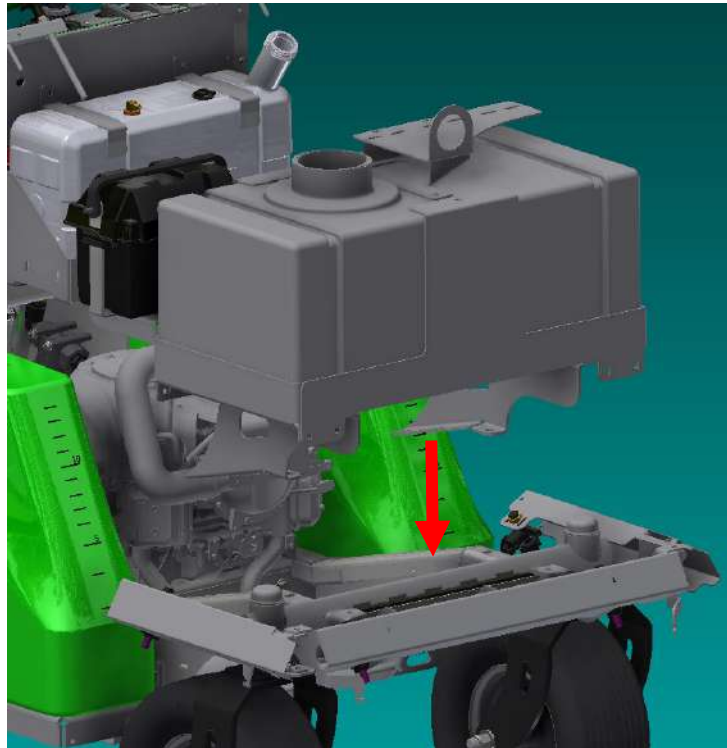
STEP 5: Remove the six bolts that hold the hopper assembly to the frame and lift the hopper assembly from the frame.



20 GALLON INSTALL INSTRUCTIONS

STEP 6:

- Set the 20 gallon tank assembly on the frame.
- Attach it to the frame with the six bolts.



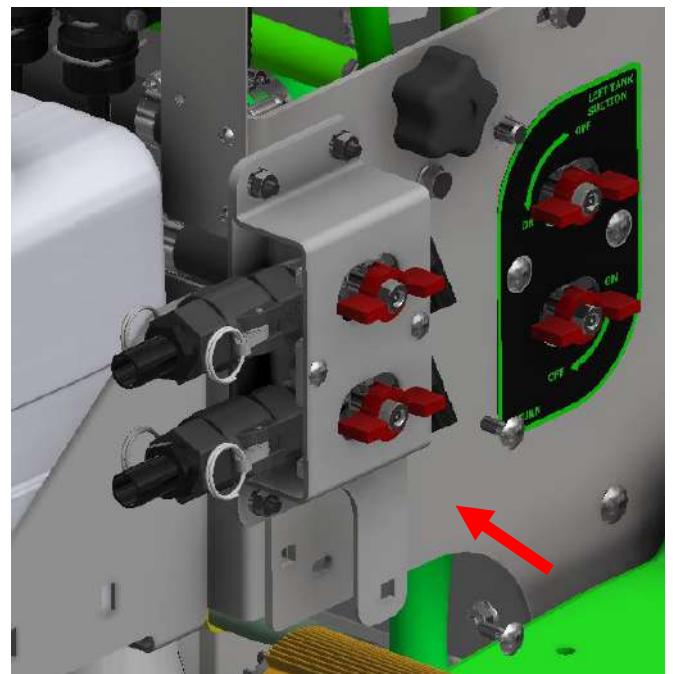
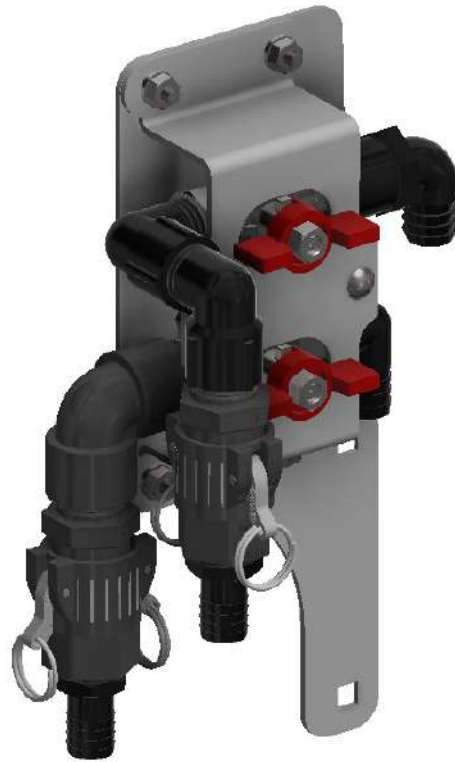
20 GALLON INSTALL INSTRUCTIONS

STEP 7: Attach the valve assembly to the corner of the dash panel.

VALVE ASSEMBLY



VALVE ASSEMBLY W/FOAM MARKER



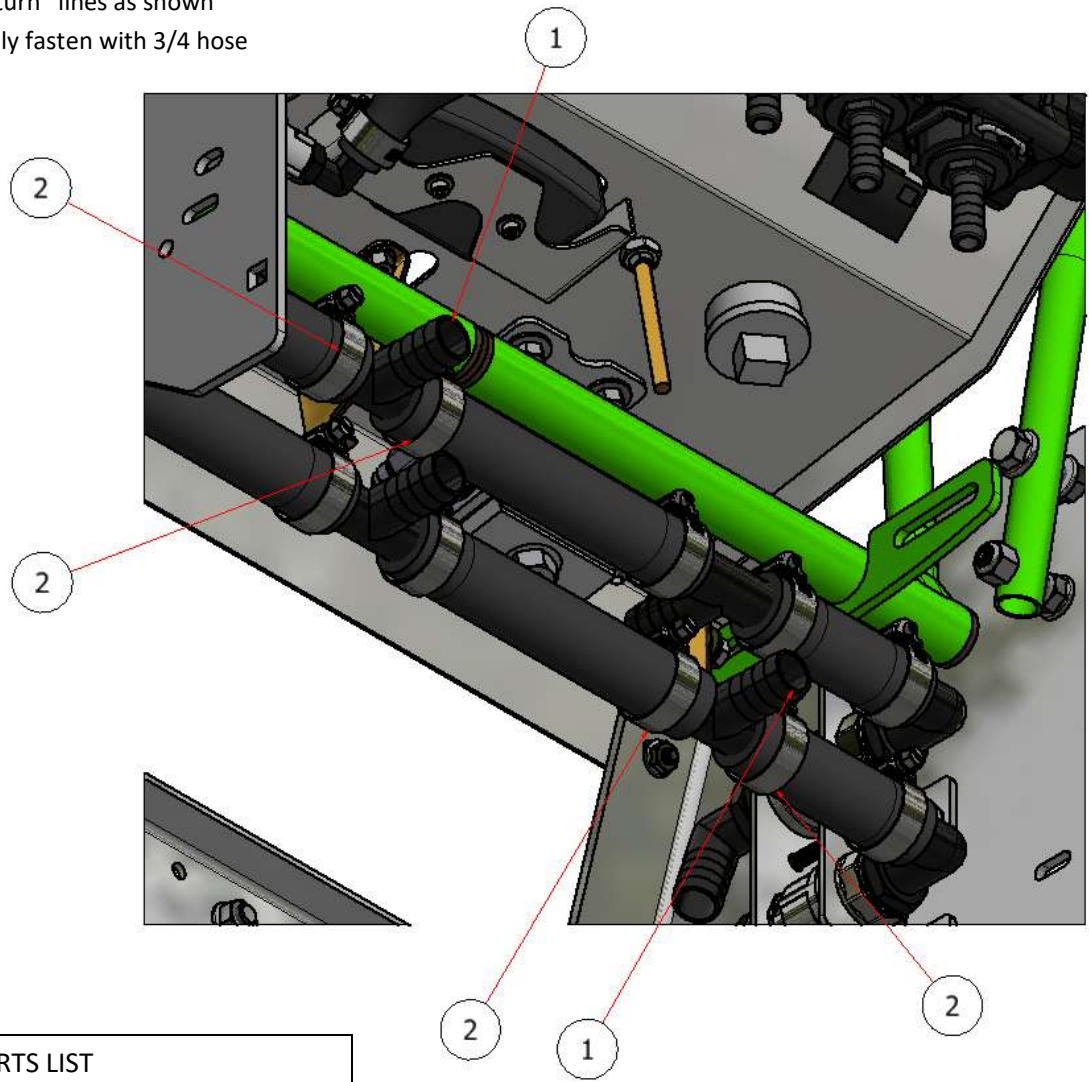
20 GALLON INSTALL INSTRUCTIONS

NOTE:

- Before beginning step 8, BE SURE there is no pressure on the lines and fluid is drained.
- Parts not shown for clarity.

STEP 8:

- Remove the knee pad to access the return & suction lines.
- Carefully cut and install the “tee” fittings in the “suction” and “return” lines as shown (blue arrows). Securely fasten with 3/4 hose clamps.



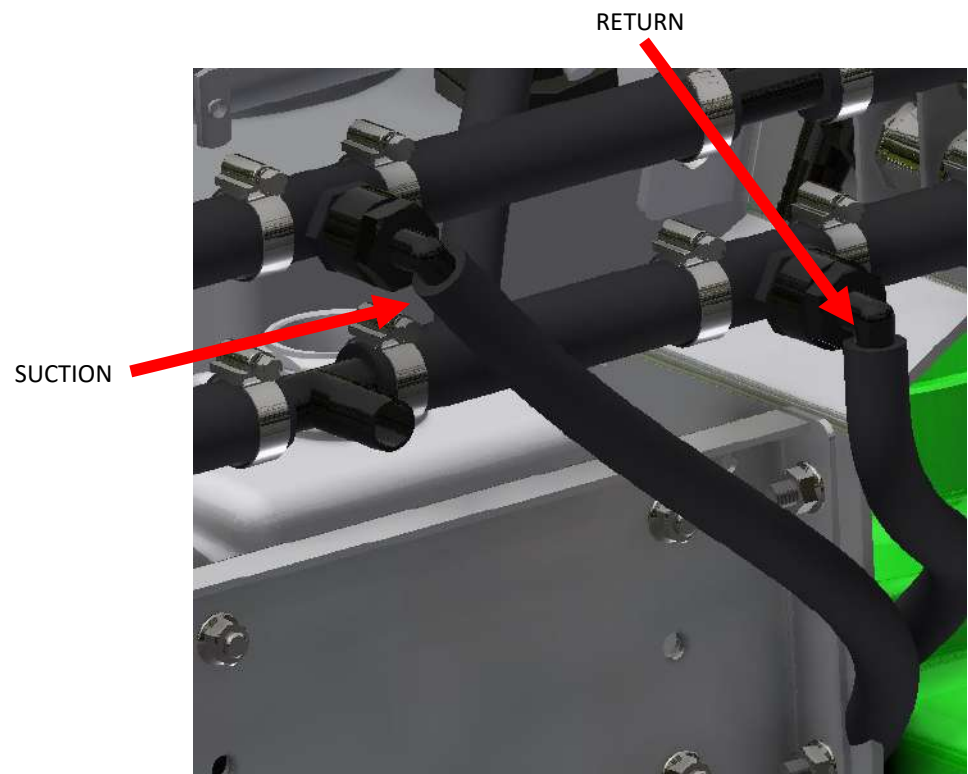
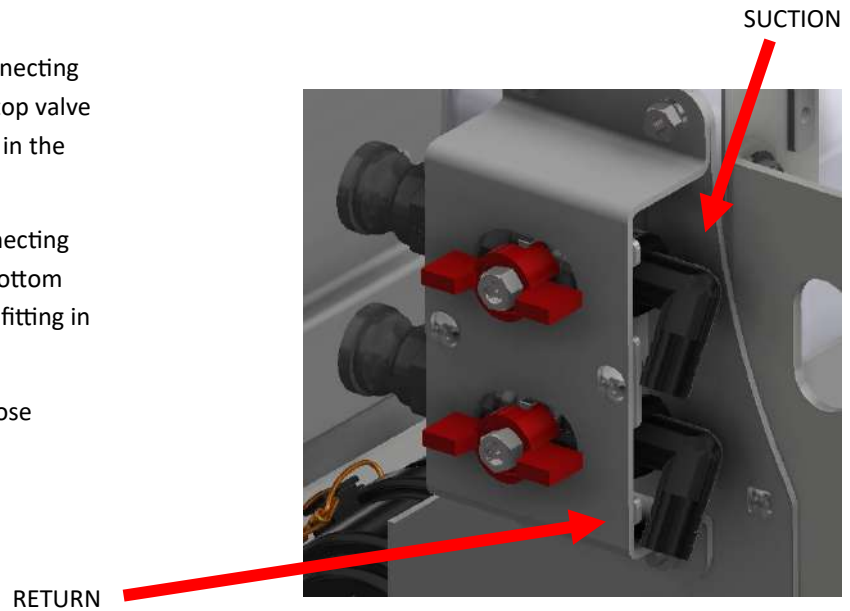
PARTS LIST

ITEM	QTY	PART NUMBER	DESCRIPTION
1	4	12HS	HOSE CLAMP, 3/4
2	2	S50062	TEE FITTING, 3/4 HOSE

20 GALLON INSTALL INSTRUCTIONS

STEP 9:

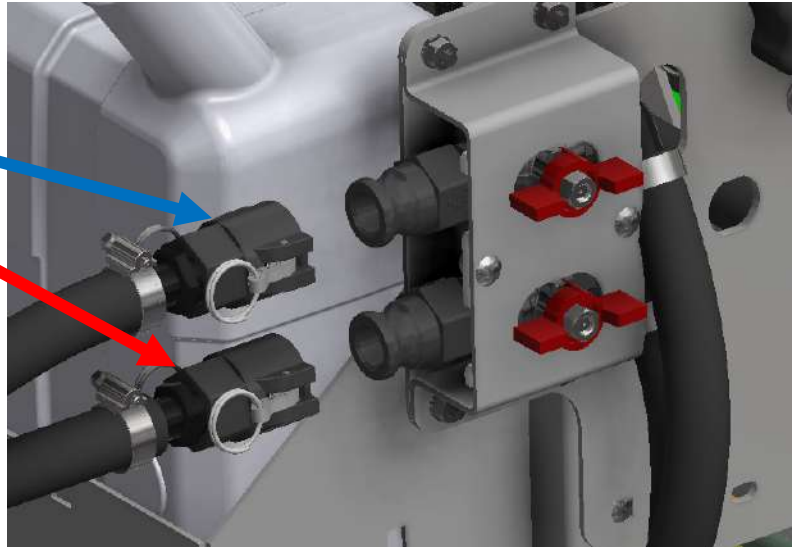
- Cut and install 3/4" suction hose, connecting one end to the suction fitting on the top valve and the other end to the "tee" fitting in the suction line.
- Cut and install 3/4" return hose, connecting one end to the return fitting on the bottom valve and the other end to the "tee" fitting in the return line.
- Securely fasten each end with 3/4" hose clamp.



20 GALLON INSTALL INSTRUCTIONS

STEP 10: Connect the “quick disconnect” hoses from the tank to the valves.

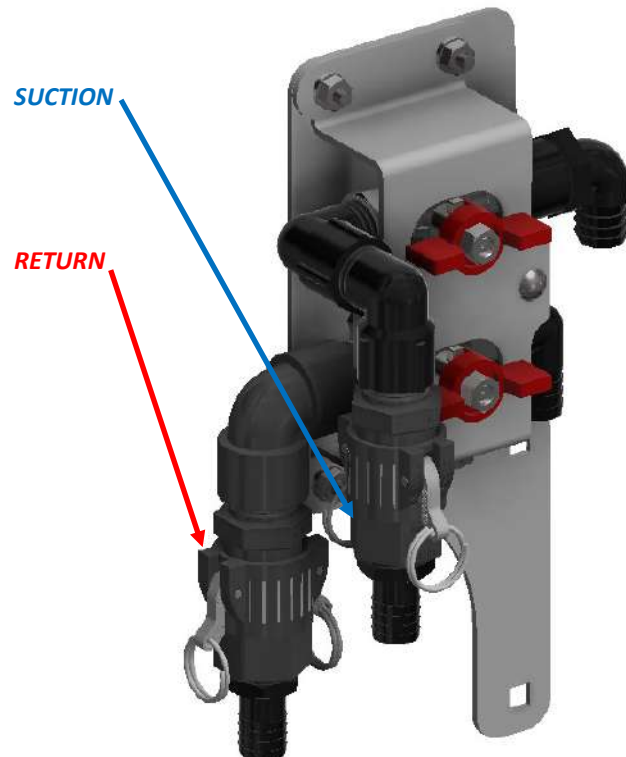
- Top valve is **SUCTION**.
- Bottom valve is **RETURN**.



VALVE ASSEMBLY



VALVE ASSEMBLY W/FOAM MARKER



20 GALLON INSTALL INSTRUCTIONS

STEP 11:

- Set the battery in the battery box.
- Reattach the battery cables, power cable and wires first followed by the ground wire.
- Attach the battery box cover and bungie strap.



GROUND

POWER



MADE IN THE USA

Steel Green Mfg.
824 S State Road 39
Lebanon, IN 46052
(765)-481-2890
www.steelgreenmfg.com

MANUAL PART NO.	MANUAL REV.	DESCRIPTION	KIT PART NO.
SGM-005	C	20 GALLON TANK ATTACHMENT	P10037