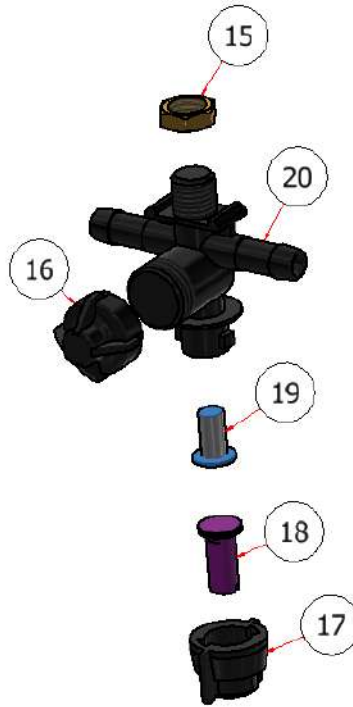


LEFT NOZZLE ASSY.

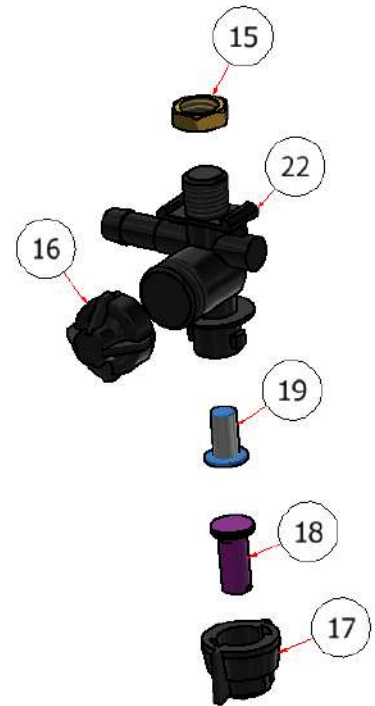
SG52 QTY. (2)

SG36,42,46 QTY. (2)



CENTER NOZZLE ASSY.

QTY. (1)

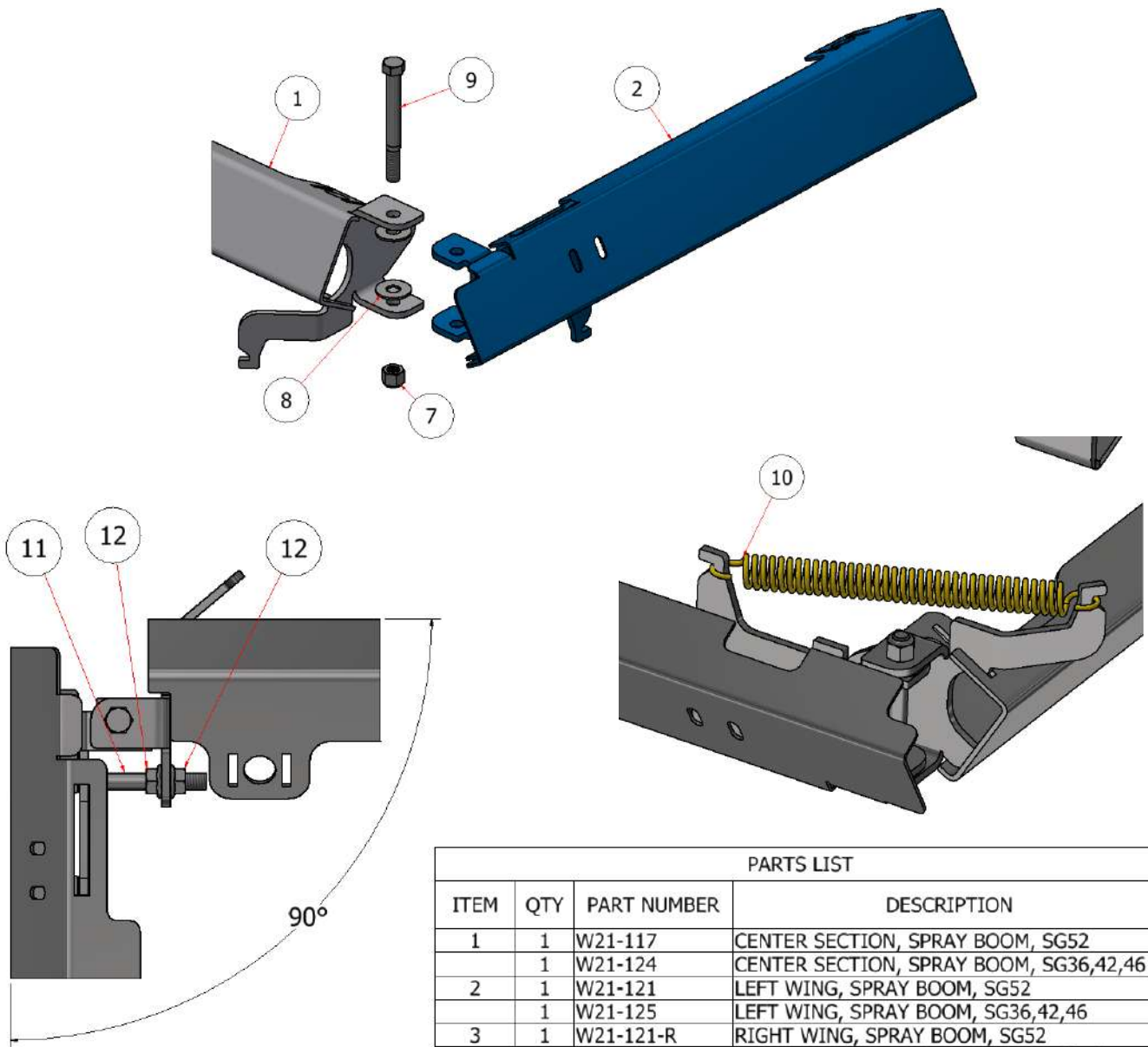


RIGHT NOZZLE ASSY.

QTY. (2)

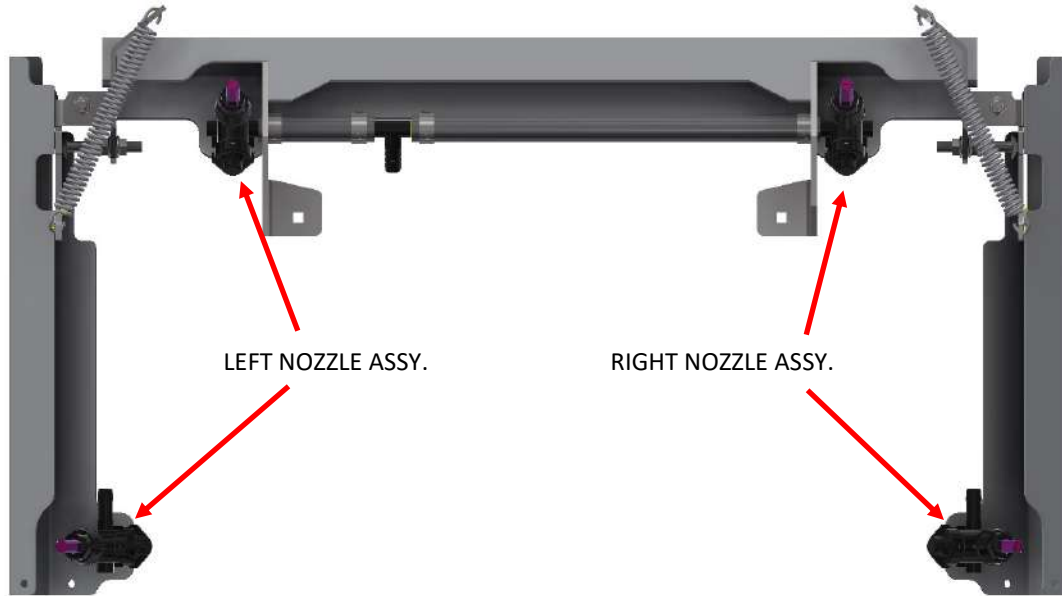
QTY. (2)

PARTS LIST			
ITEM	QTY	PART NUMBER	DESCRIPTION
15	5	S51010-N	NOZZLE BODY NUT, BRASS
16	5	S51113	NOZZLE BODY, CAP
17	5	S51200	TIP CAP
18	5	S50025	SPRAY TIP, LAVENDER
19	5	S51280	CHECK VALVE, 50 MESH
20	1	S51011	NOZZLE BODY, CENTER
21	2	S51010	NOZZLE BODY, LEFT
22	2	S51012	NOZZLE BODY, RIGHT



PARTS LIST			
ITEM	QTY	PART NUMBER	DESCRIPTION
1	1	W21-117	CENTER SECTION, SPRAY BOOM, SG52
	1	W21-124	CENTER SECTION, SPRAY BOOM, SG36,42,46
2	1	W21-121	LEFT WING, SPRAY BOOM, SG52
	1	W21-125	LEFT WING, SPRAY BOOM, SG36,42,46
3	1	W21-121-R	RIGHT WING, SPRAY BOOM, SG52
	1	W21-125-R	RIGHT WING, SPRAY BOOM, SG36,42,46
4	2	S51012	RIGHT NOZZLE ASSY
5	2	S51010	LEFT NOZZLE ASSY
6	1	S51011	CENTER NOZZLE ASSY
7	2	SSNNC-38	NYLOCK, SS - 3/8-16
8	4	FWSS-38	FLAT WASHER, SS - 3/8
9	2	HHCS5-38334	HEX BOLT, SS - 3/8-16 x 3 3/4
10	2	C60112	BOOM SPRING
11	2	CB.375-16X2.5	CARRIAGE BOLT 3/8" X 2.5"
12	4	HFNCS-38S	HEX FLANGE NUT, SS - 3/8-16
13	1	S50061	TEE FITTING, BARB, 1/2
14	6	MS4	HOSE CLAMP, 3/8
15	5	S51010-N	NOZZLE BODY NUT, BRASS
16	5	S51113	NOZZLE BODY, CAP
17	5	S51200	TIP CAP
18	5	S50025	SPRAY TIP, LAVENDER
19	5	S51280	CHECK VALVE, 50 MESH
20	1	S51011	NOZZLE BODY, CENTER
21	2	S51010	NOZZLE BODY, LEFT
22	2	S51012	NOZZLE BODY, RIGHT

SG36, 42, & 46



SG52

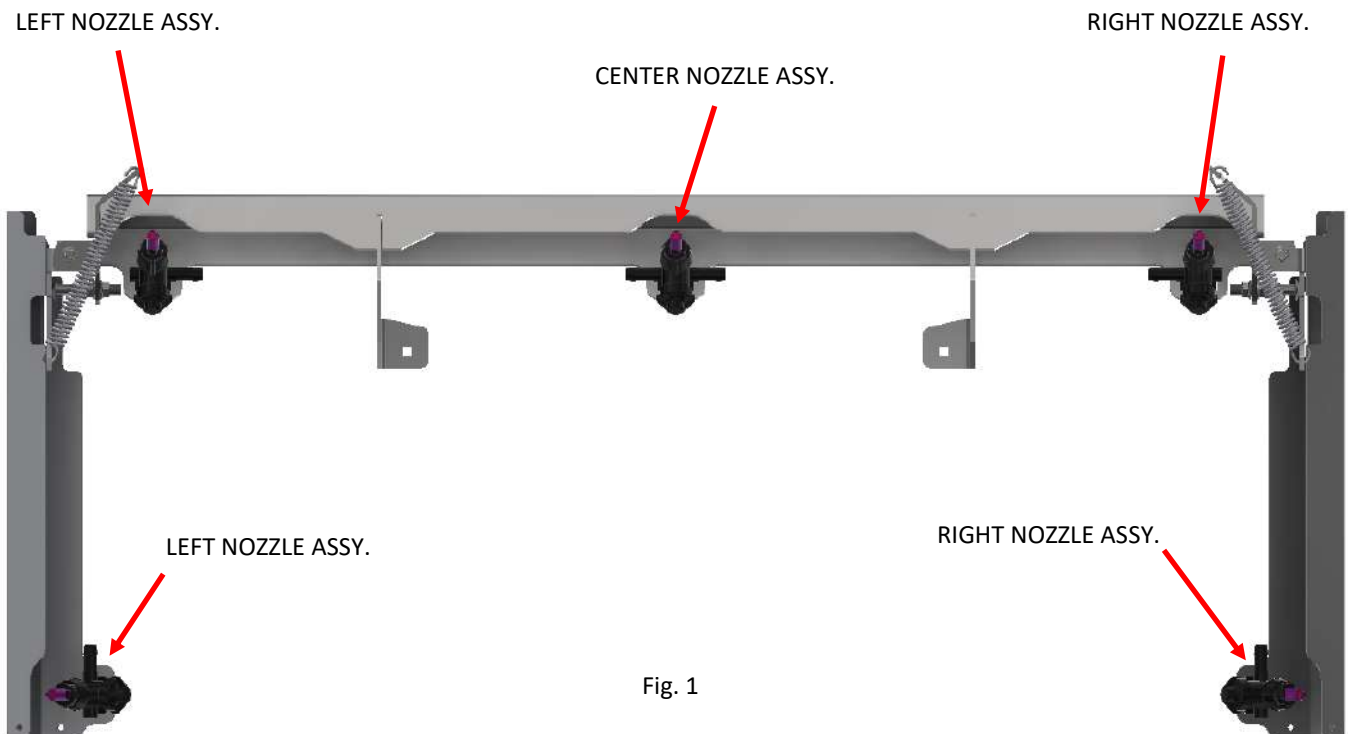
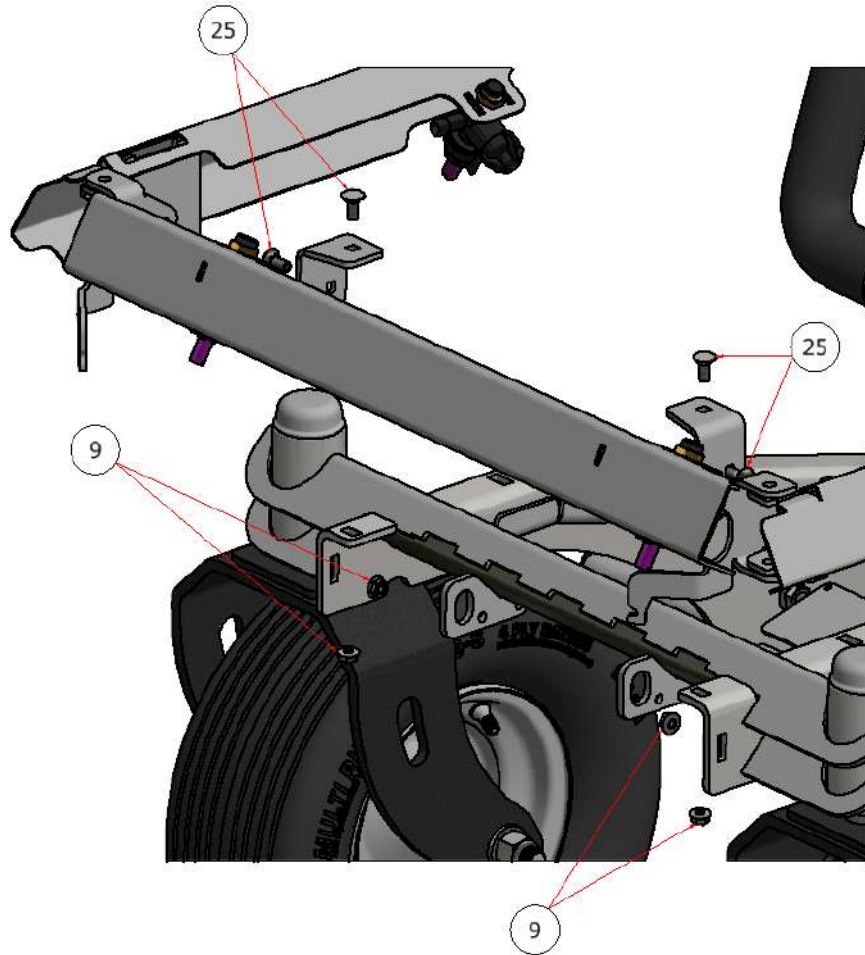


Fig. 1



ITEM	QTY	PART NUMBER	DESCRIPTION
8	6	HFNC3-38S	HEX FLANGE NUT - 3/8-16
24	4	CB-51634	CARRIAGE BOLT, SS - 5/16-18 x 3/4
25	2	R31019	ROD, STEERING

EXPLODED VIEW		
PART NO.	REV.	DESCRIPTION
SGEV-058	B	SG SERIES SPRAY BOOM