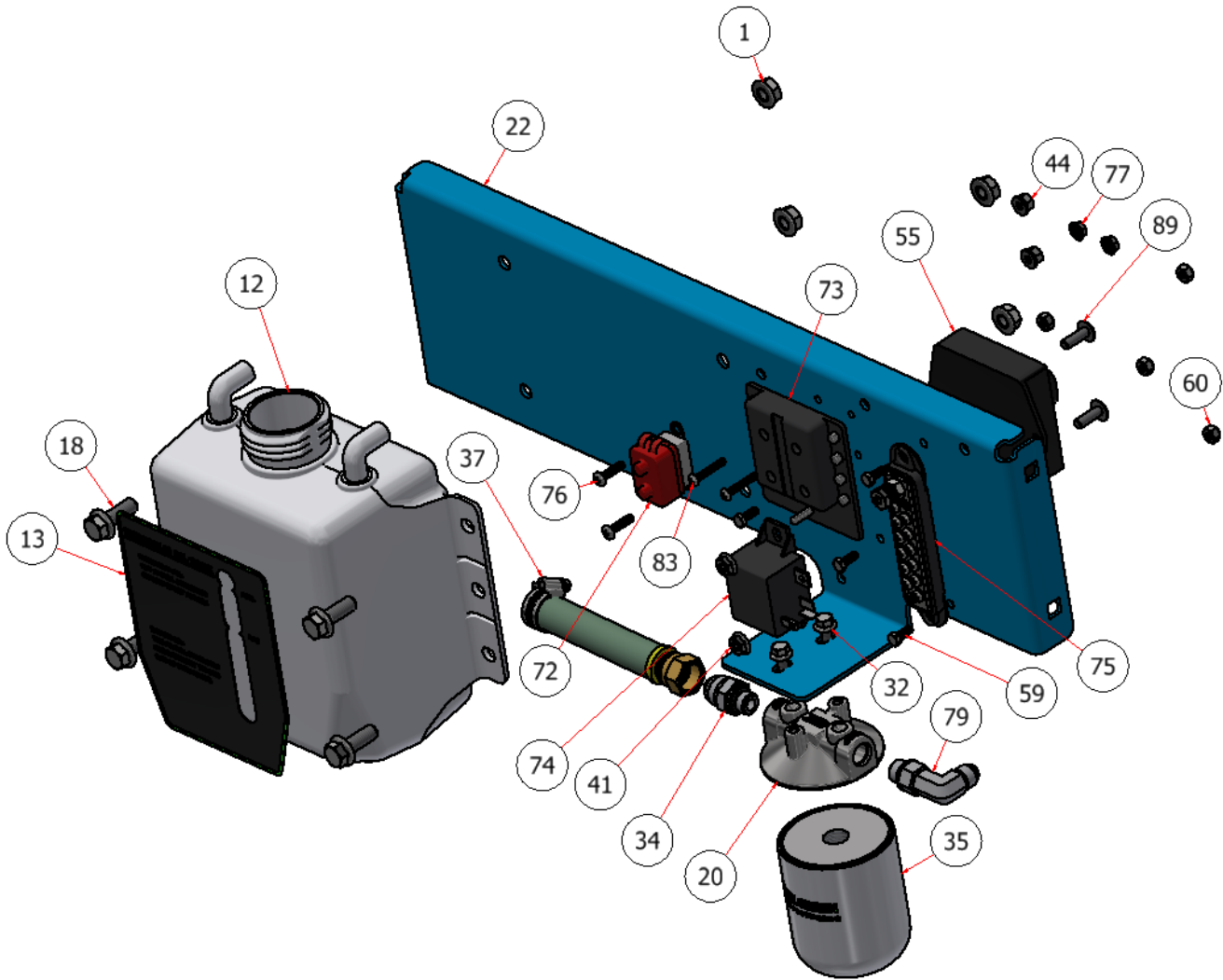


# CROSS MEMBER SG54 ASSEMBLY



PARTS LIST			
ITEM	QTY	PART NUMBER	DESCRIPTION
1	18	HFNCS-38S	HEX FLANGE NUT, SS - 3/8-16
12	1	M10003	HYDRAULIC OIL TANK, 3QT
13	1	C60313	DECAL, HYDRAULIC OIL TANK
18	4	HFSSC-381	HEX FLANGE BOLT, SS - 3/8-16 x 1
20	1	BF060-ART	STEP AP203
22	1	R21-030	CROSS MEMBER, UPRIGHT, SG54
32	6	HFSSC-145	HEX FLANGE BOLT, SS - 1/4-20 x 1/2
34	1	H84019	1/2 M JIC X 3/8 ORB STG.
35	1	H80404	OIL FILTER, HYDRAULIC
37	5	MS4	HOSE CLAMP, 3/8
41	8	HFNCS-14S	HEX FLANGE NUT, 1/4
44	5	HFNCS-10S	HEX FLANGE NUT, #10
55	1	S54020	CONTROLLER, RATE
59	4	HFSSC-1012	BOLT, #10-32 X 1/2
60	4	SSNNC 10-32	HEX NUT, NYLOCK, 10-32SS
75	1	E40209-VTE	GROUND BLOCK
77	2	HFNCS-8-32	HEX FLANGE NUT, 8-32SS
79	1	H84025	FITTING, ELBOW, 1/2 MJIC X 3/8 ORB
83	2	TRPC-8100S	SCREW, PHILLIPS, 8-32 X 1 SS
89	2	TRPC-141S	SCREW, PHILLIPS, SS - 1/4-20 x 1

EXPLODED VIEW		
PART NO.	REV.	DESCRIPTION
SG54EV-001	A	CROSS MEMBER SG54 ASSEMBLY