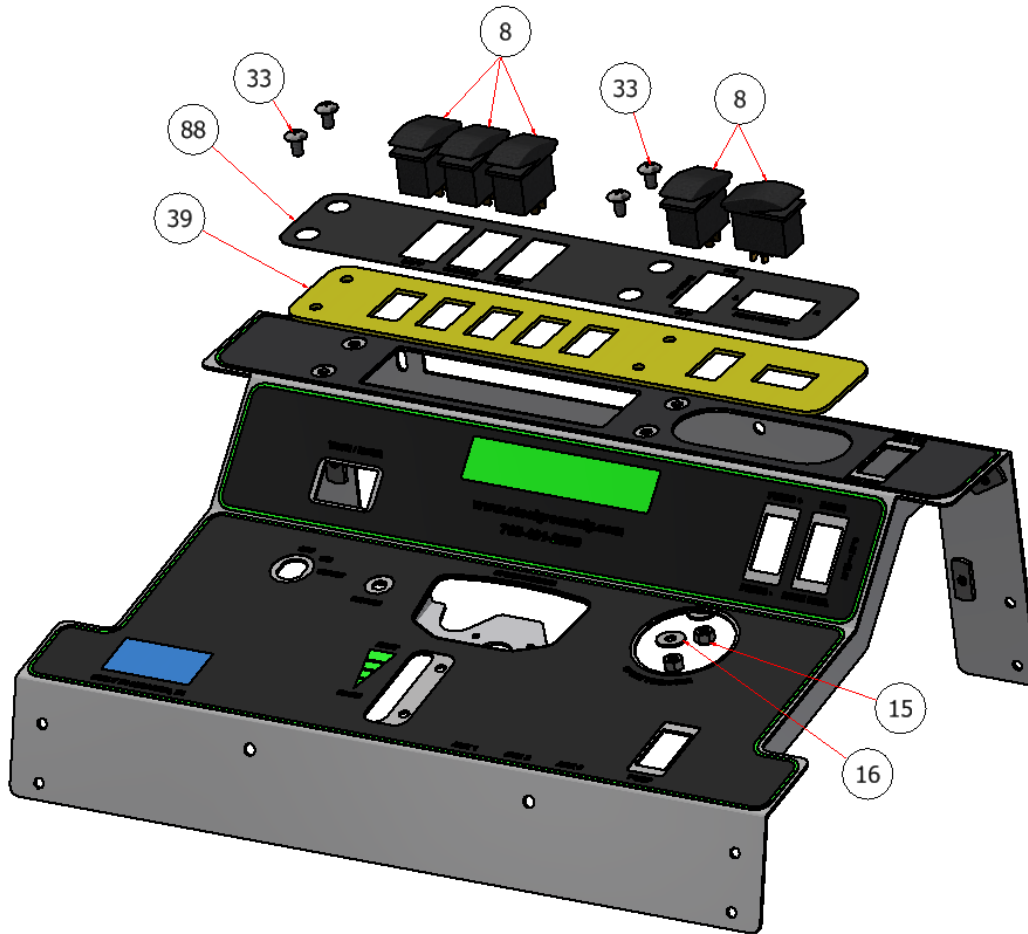
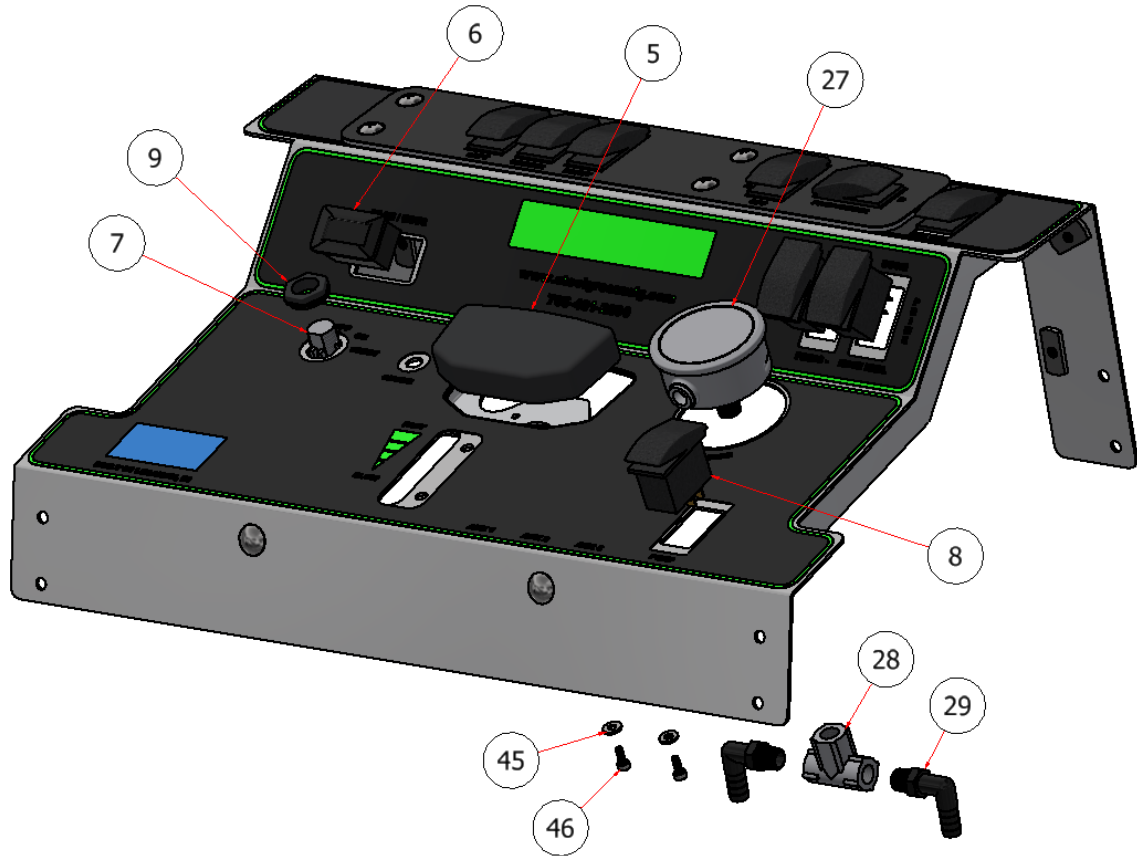


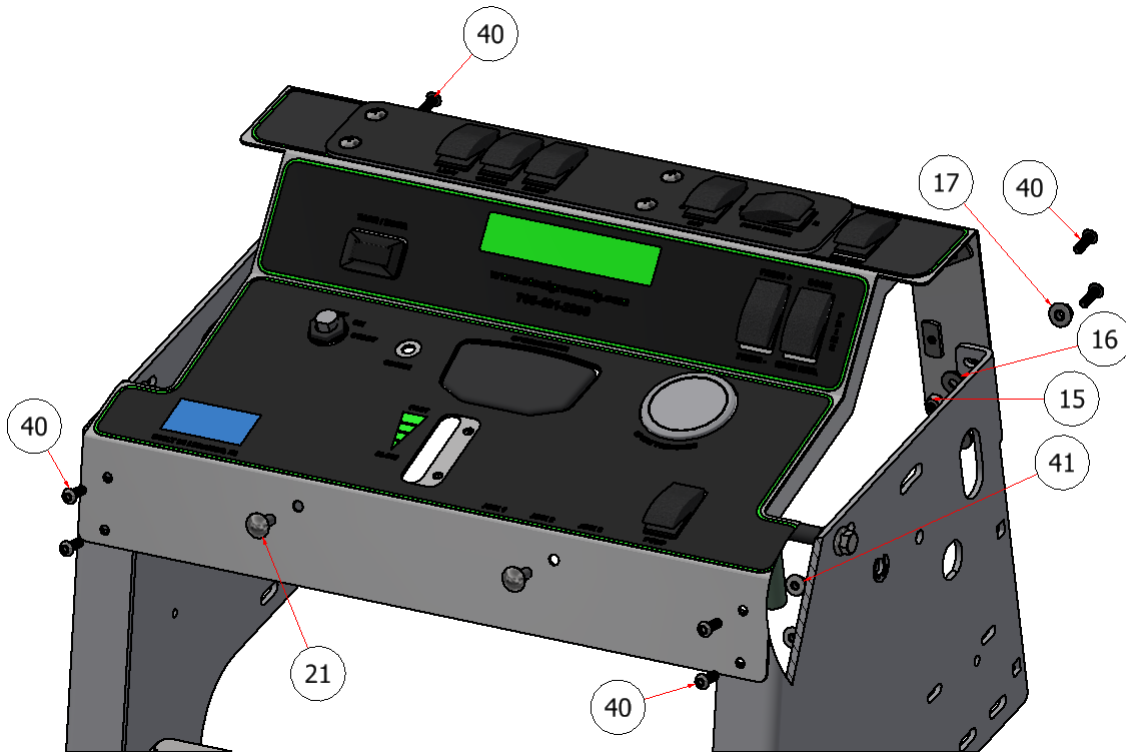
DASH PANEL SG54 ASSEMBLY



PARTS LIST			
ITEM	QTY	PART NUMBER	DESCRIPTION
8	7	E40202	ROCKER SWITCH
15	8	SSNNC-14	NYLOCK, SS - 1/4-20
16	14	FWSS-14	FLAT WASHER, SS - 1/4
33	4	TRPC-145S	SCREW, PHILLIPS, SS - 1/4-20 x 1/2
39	1	R22-188	T-JET MANIFOLD CONTROL PANEL COVER
88	1	C60423	T-JET MANIFOLD CONTROL PANEL COVER



PARTS LIST			
ITEM	QTY	PART NUMBER	DESCRIPTION
5	1	E40010	SPEEDOMETER
6	1	E40011	TACHOMETER
7	1	E40215	KEY SWITCH
8	7	E40202	ROCKER SWITCH
9	1	E40215 NUT	KEY SWITCH NUT
27	1	S51238	60 PSI
28	1	S52003	TEE FITTING, 1/4 FEMALE
29	3	S52021	ELBOW, 90, 1/4 NPT X 3/8 BARB
45	2	FSW-10	FLAT WASHER, SS-10
46	2	SHMSS-407010	ALLEN SCREW, 40 X 70 X 10



PARTS LIST			
ITEM	QTY	PART NUMBER	DESCRIPTION
15	8	SSNNC-14	NYLOCK, SS - 1/4-20
16	14	FWSS-14	FLAT WASHER, SS - 1/4
17	4	HFNC5-516S	HEX NUT, 5/16
21	2	CB-51634	CARRIAGE BOLT, SS - 5/16-18 x 3/4
40	8	PTSS-1434	STAR SCREW, 1/4 X 3/4
41	8	HFNC5-14S	HEX FLANGE NUT, 1/4

EXPLODED VIEW		
PART NO.	REV.	DESCRIPTION
SG54EV-007	A	DASH PANEL SG54 ASSEMBLY