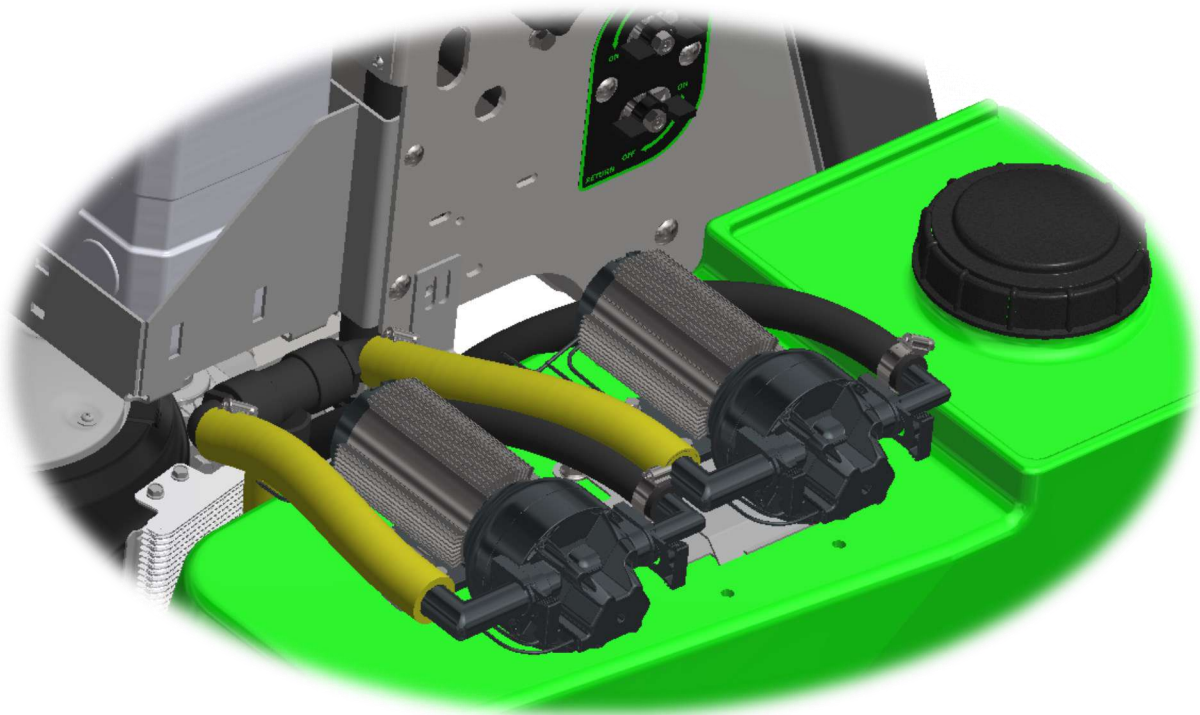


# STEELGREEN MANUFACTURING™

## INSTRUCTION MANUAL

### DOUBLE SPRAY PUMP

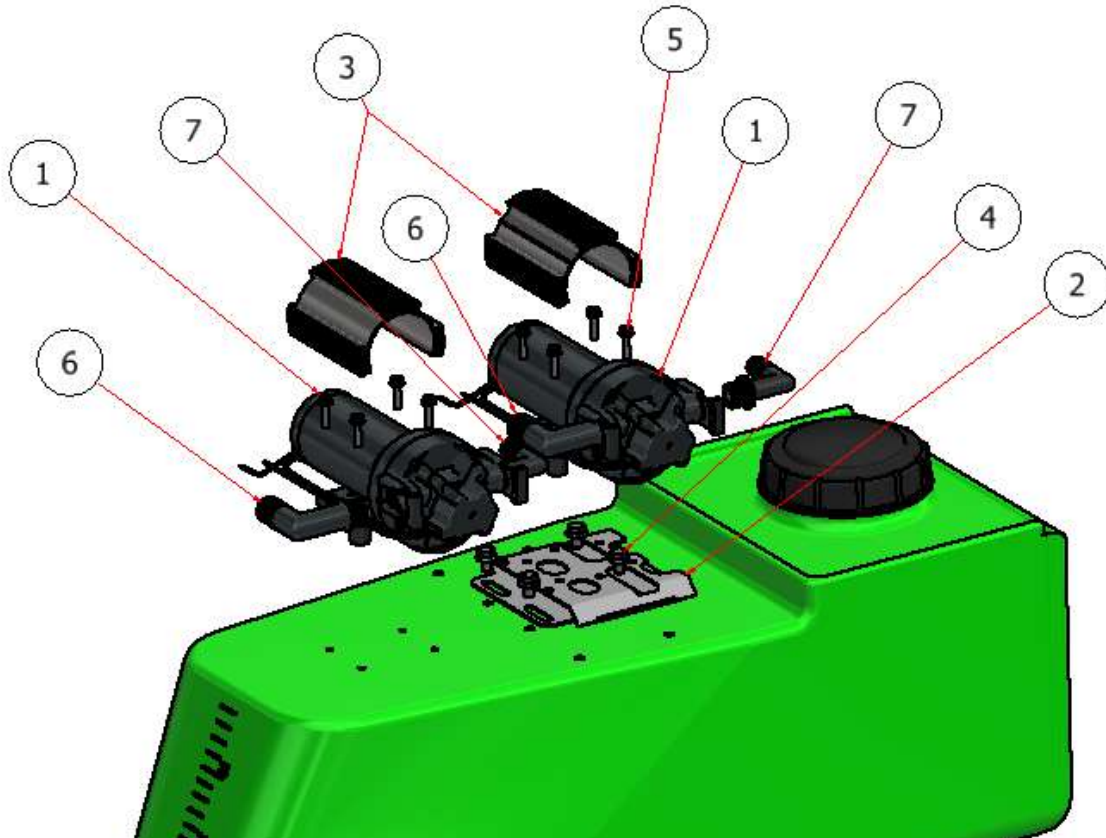
Models: SG36, SG42, SG46, & SG52



## DOUBLE SPRAY PUMP INSTALLATION

**STEP 1:** Attach the second pumps to the tank.

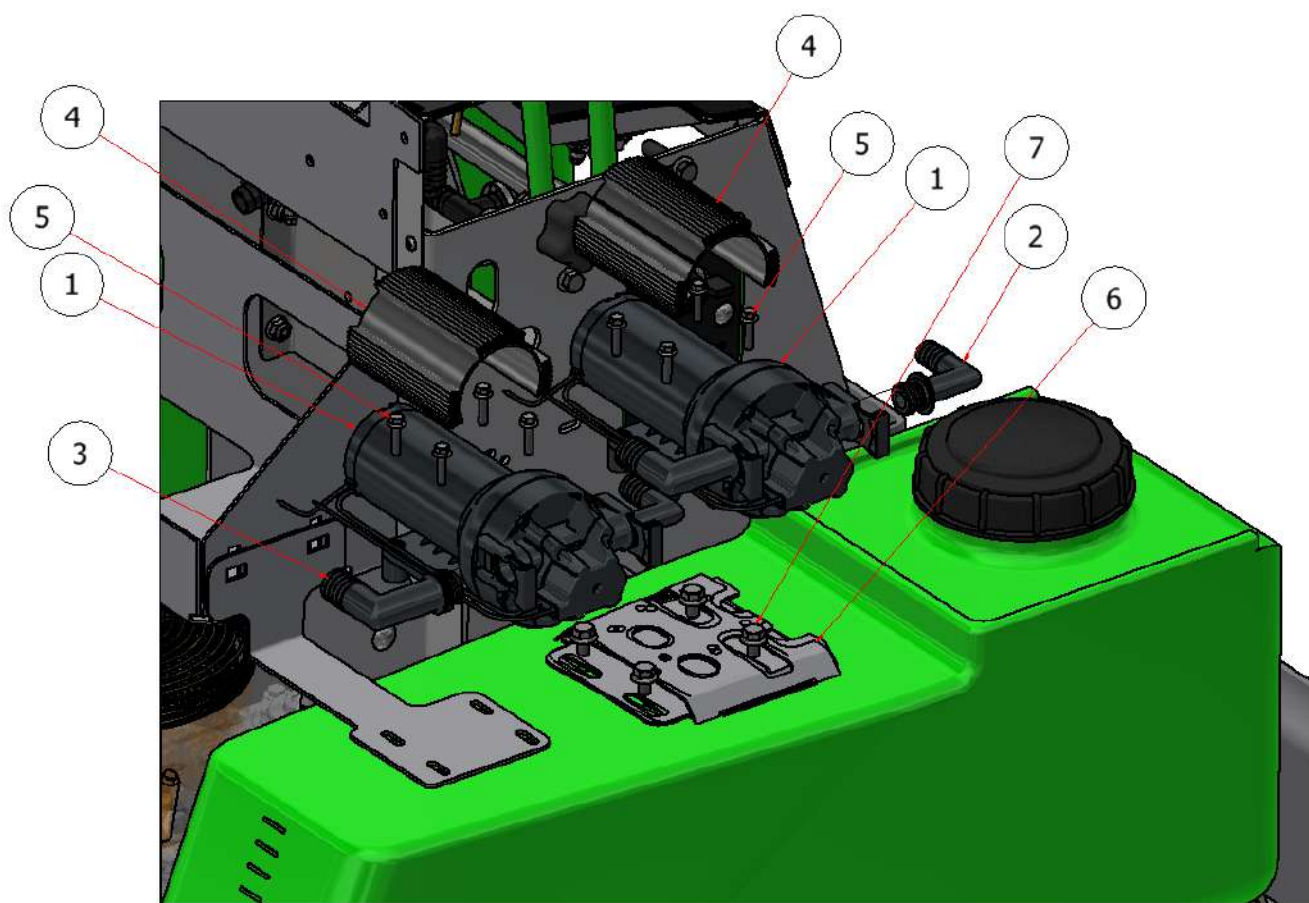
### SG52 FLOJET



PARTS LIST			
ITEM	QTY	PART NUMBER	DESCRIPTION
1	2	60014-FJ	SPRAY PUMP, FLOJET
2	1	W21-100	MOUNTING BRACKET, SPRAY PUMP
3	2	S54120	HEAT SINK, SPRAY PUMP
4	4	HFSSC-3812	HEX BOLT, 3/8 X 1/2
5	8	HFSSC-141	BOLT, HEX, 1/4 X 1
6	0	20381713	PUMP FITTING, FLOJET, 1
7	0	20381712	PUMP FITTING, FLOJET, 3/4

## DOUBLE SPRAY PUMP INSTALLATION

### SG46 FLOJET

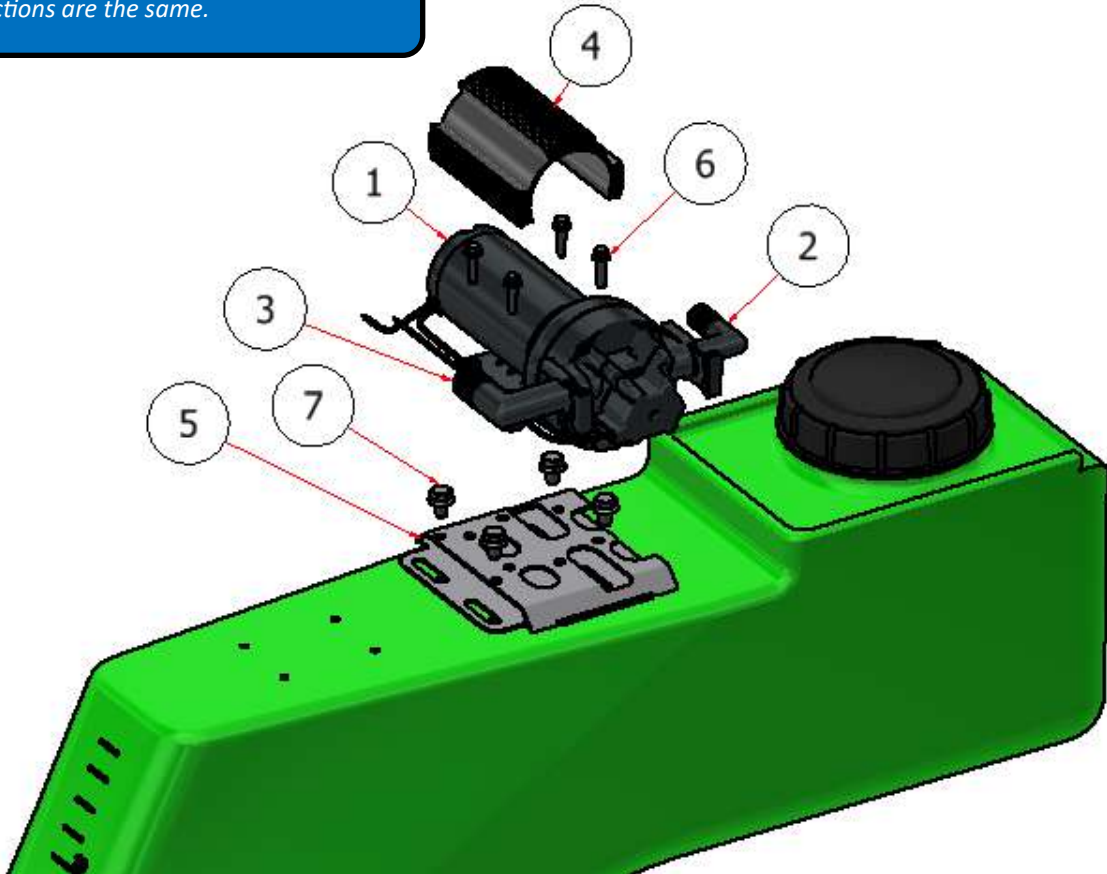


PARTS LIST			
ITEM	QTY	PART NUMBER	DESCRIPTION
1	2	60014-FJ	SPRAY PUMP, FLOJET
2	2	20381712	PUMP FITTING, FLOJET, 3/4
3	2	20381713	PUMP FITTING, FLOJET, 1
4	2	S54120	HEAT SINK, SPRAY PUMP
5	8	HFSSC-141	HEX FLANGE BOLT, 1/4 X 1
6	1	W21-100	MOUNTING BRACKET, SPRAY PUMP
7	4	HFSSC-3812	HEX FLANGE BOLT, 3/8 X 1/2

## DOUBLE SPRAY PUMP INSTALLATION

### SG42 FLOJET

**NOTE:** Attach the second pump to the right side tank. Instructions are the same.

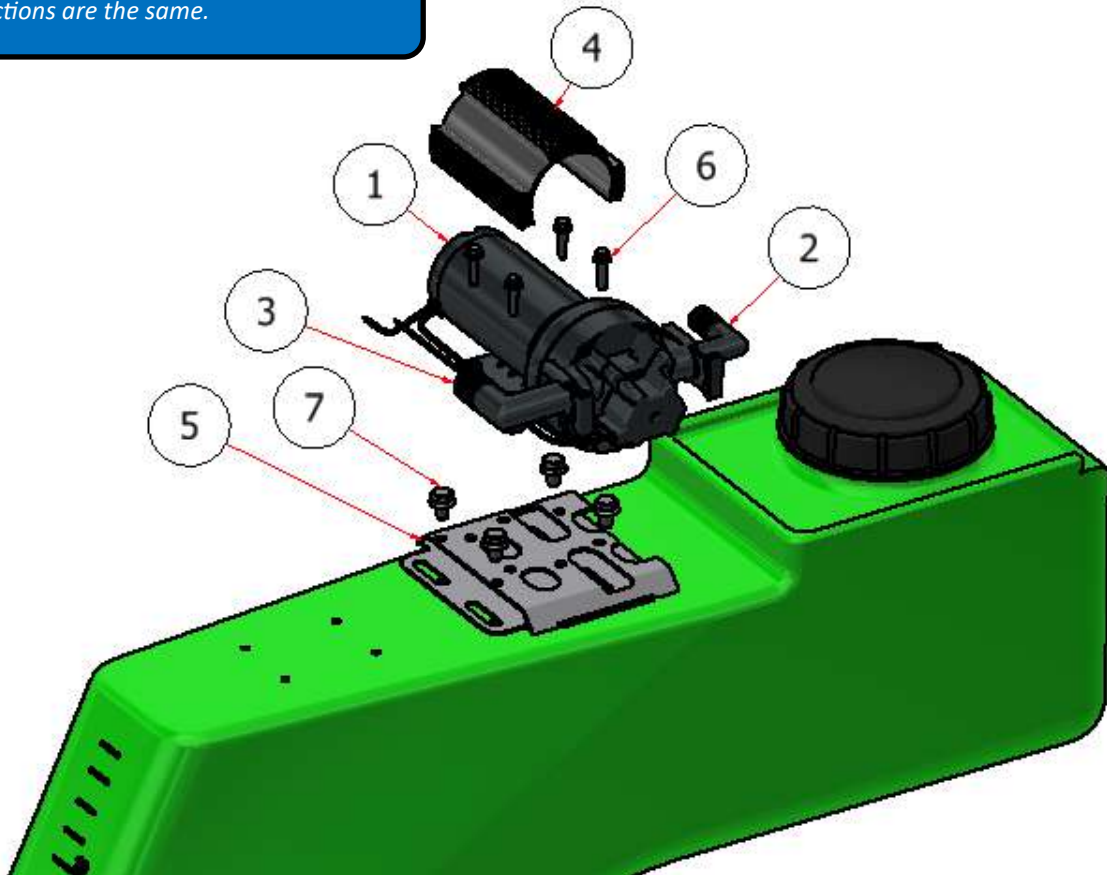


PARTS LIST			
ITEM	QTY	PART NUMBER	DESCRIPTION
1	2	60014-FJ	SPRAY PUMP, FLOJET
2	2	20381712	PUMP FITTING, FLOJET, 3/4
3	2	20381713	PUMP FITTING, FLOJET, 1
4	2	S54120	HEAT SINK, SPRAY PUMP
5	2	W21-100	MOUNTING BRACKET, SPRAY PUMP
6	8	HFSSC-141	HEX FLANGE BOLT, 1/4 X 1
7	8	HFSSC-3812	HEX FLANGE BOLT, 3/8 X 1/2

## DOUBLE SPRAY PUMP INSTALLATION

### SG36 FLOJET

**NOTE:** Attach the second pump to the right side tank. Instructions are the same.



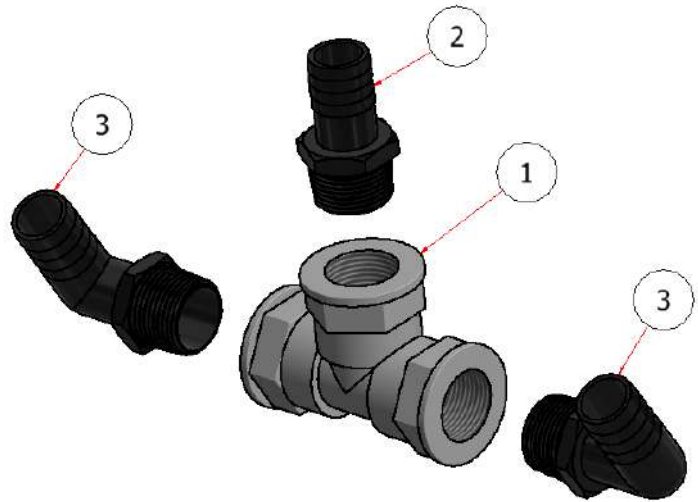
PARTS LIST			
ITEM	QTY	PART NUMBER	DESCRIPTION
1	2	60014-FJ	SPRAY PUMP, FLOJET
2	2	20381712	PUMP FITTING, FLOJET, 3/4
3	2	20381713	PUMP FITTING, FLOJET, 1
4	2	S54120	HEAT SINK, SPRAY PUMP
5	2	W21-100	MOUNTING BRACKET, SPRAY PUMP
6	8	HFSSC-141	HEX FLANGE BOLT, 1/4 X 1
7	8	HFSSC-3812	HEX FLANGE BOLT, 3/8 X 1/2

## DOUBLE SPRAY PUMP INSTALLATION

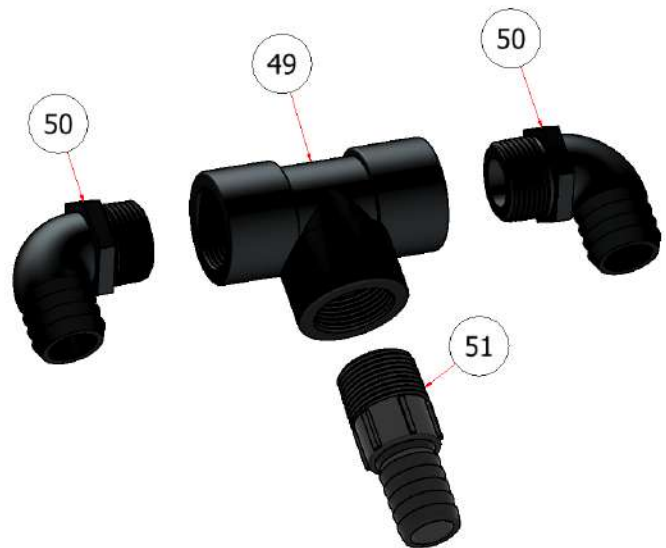
**STEP 2:**

- Assemble the (2) tee fitting assemblies as shown.

**NOTE:** Angle the elbow fittings as needed.



PARTS LIST			
ITEM	QTY	PART NUMBER	DESCRIPTION
1	1	S52006	TEE, BANJIO, 3/4
2	1	S52015	3/4" MNPT X 3/4" BARB
3	2	S52029	BARB, 3/4 MPT x 3/4 BARB 90

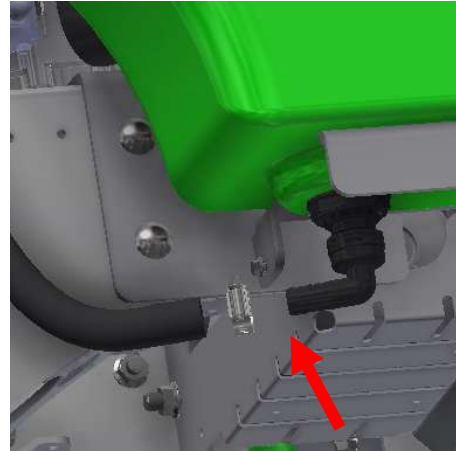


PARTS LIST			
ITEM	QTY	PART NUMBER	DESCRIPTION
49	1	S52073	1 FNPT, PIPE TEE
50	2	S52030	1 MNPT X 1 BARB, ELBOW, 90
51	1	S52101	1" NPT X 1" BARB

## DOUBLE SPRAY PUMP INSTALLATION

**STEP 3:** Loosen the hose clamp and disconnect the suction hose.

**NOTE:** Before disconnecting the hose place a drip pan under it to catch any excess fluid.



**STEP 4:** Remove the 3/4" elbow fitting from the tank and replace it with the 3/4" X 1" "barb

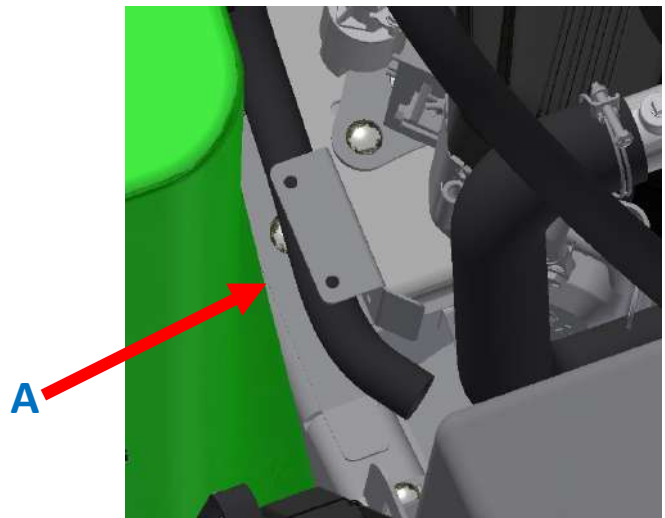
**NOTE:** Be sure to use pipe dope on the threads.

elbow" (EL100 HB) provided with the kit.



**STEP 5:** Cut the zip ties to free the suction hose.

(5) on the right & (4) on the left.

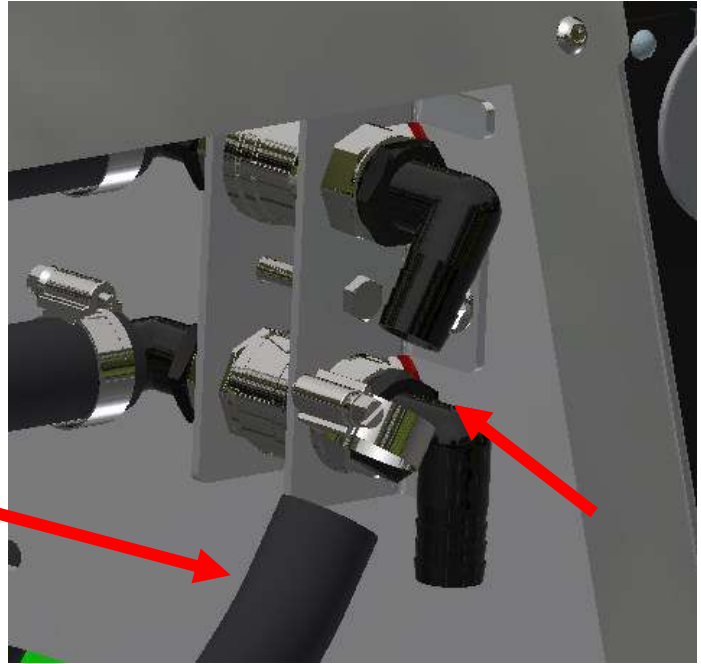


## DOUBLE SPRAY PUMP INSTALLATION

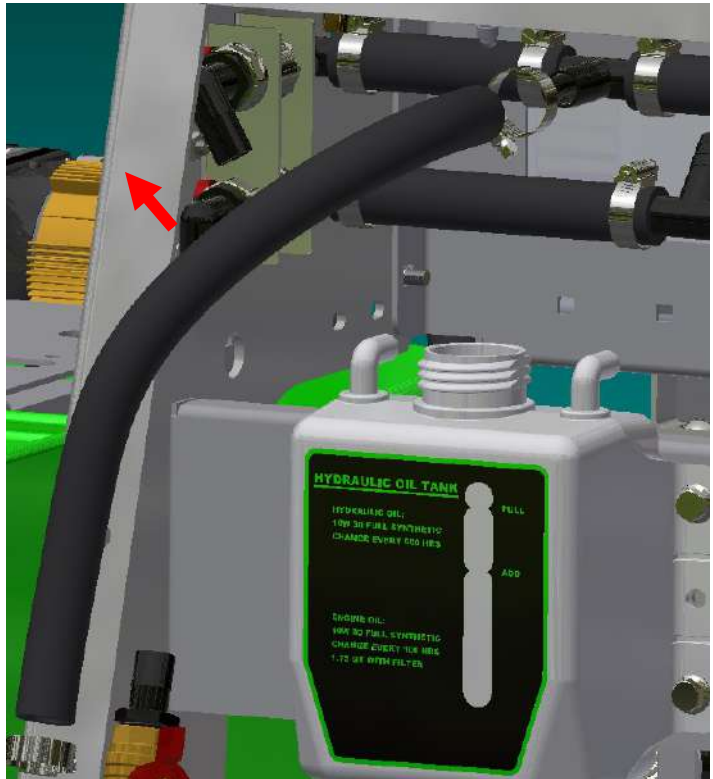
**STEP 6:** Loosen the hose clamp & remove the 3/4" hose from the suction valve.

**NOTE:** Suction hoses (from the valves to the tanks) should be free to remove from the machine.

A



**STEP 7:** Loosen the hose clamps & remove the suction hose from the strainer to the suction line.



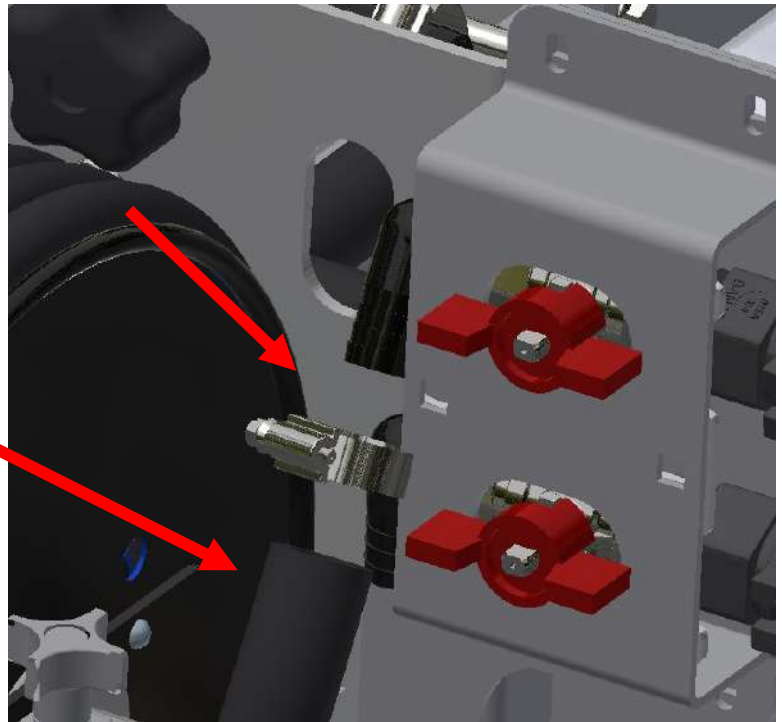


## DOUBLE SPRAY PUMP INSTALLATION

**NOTE:** If your machine is **NOT** equipped with the 35 gallon tank option, proceed to step twelve.

### STEP 8:

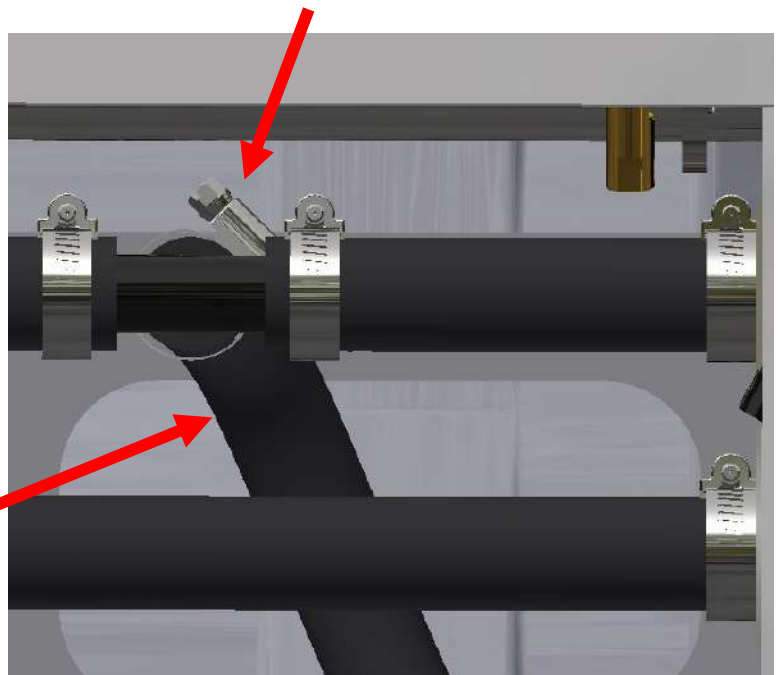
- Loosen the hose clamp & remove the 3/4" hose from the *quick disconnect* suction valve.



- Loosen the hose clamp & remove the suction

**NOTE:** The hose should now be free & able to be

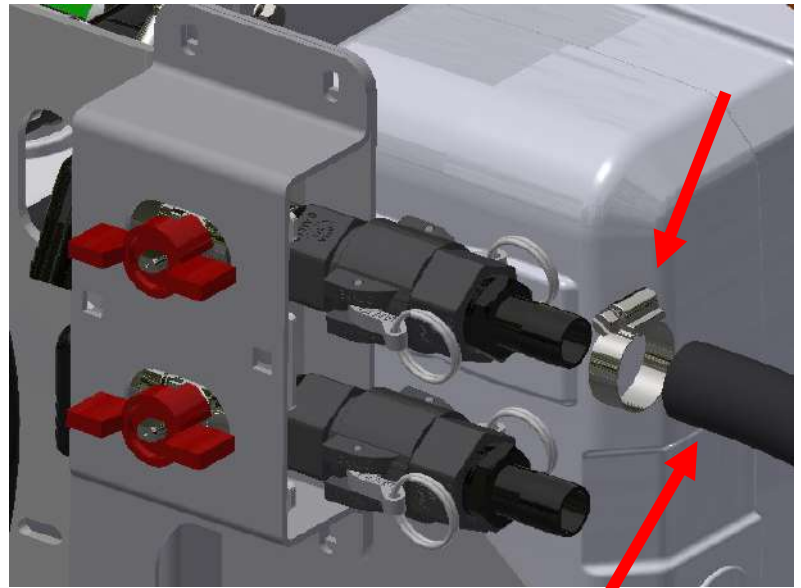
hose from the *quick disconnect* valve.



## DOUBLE SPRAY PUMP INSTALLATION

### STEP 9:

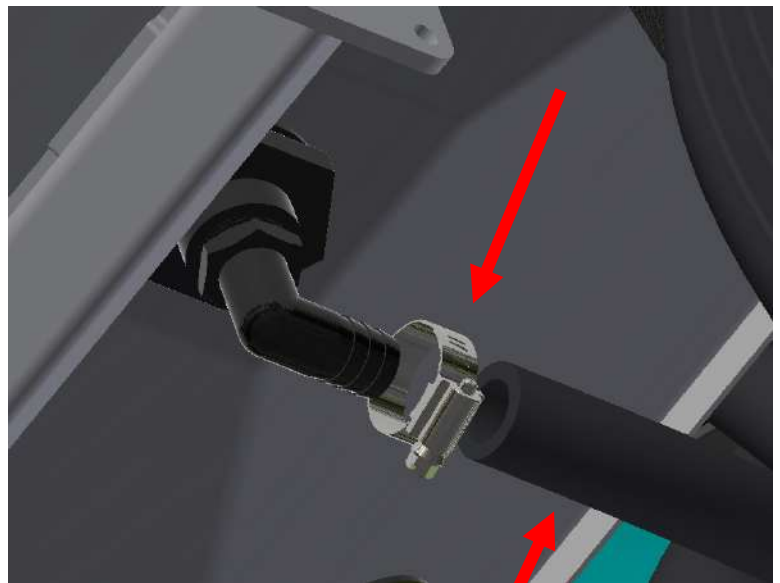
- Loosen the hose clamp & remove the 3/4" hose from the *quick disconnect* suction fitting.



- Loosen the hose clamp & remove the suction

**NOTE:** *The hose should now be free & able to be removed from the machine.*

hose from the 35 gal. tank suction.



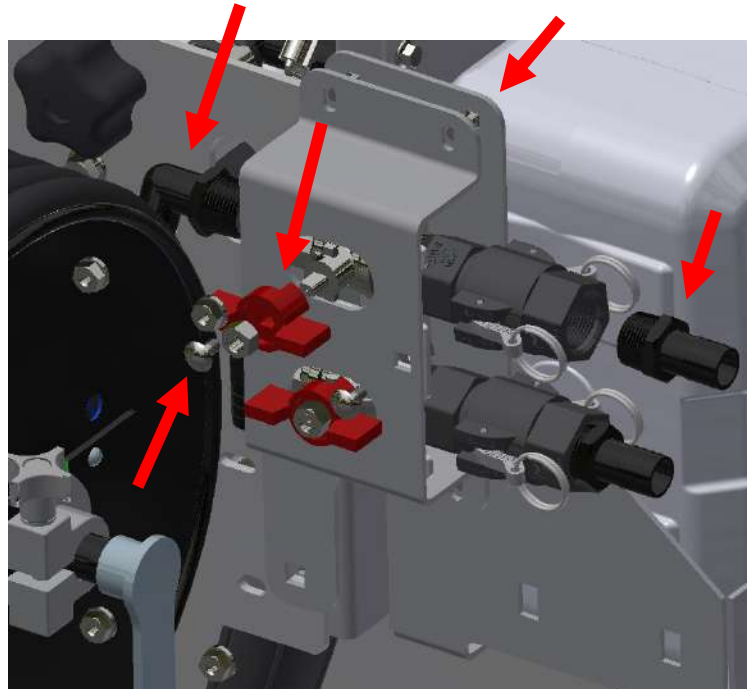
## DOUBLE SPRAY PUMP INSTALLATION

### STEP 10:

- Loosen the (4) bolts to free the quick disconnect valve assembly.
- Remove the red handle from the top valve.
- Loosen or remove the (2) bolts to free the valves from the plate.
- Remove the 3/4" elbow fitting & the 3/4" straight fitting, replace the with 3/4" X 1" elbow (EL100 HB) & straight (S52017) fittings provided with the kit.

**NOTE:** *Be sure to use pipe dope on pipe threads.*

- Reattach the valve assembly to the plate and back on to the machine.



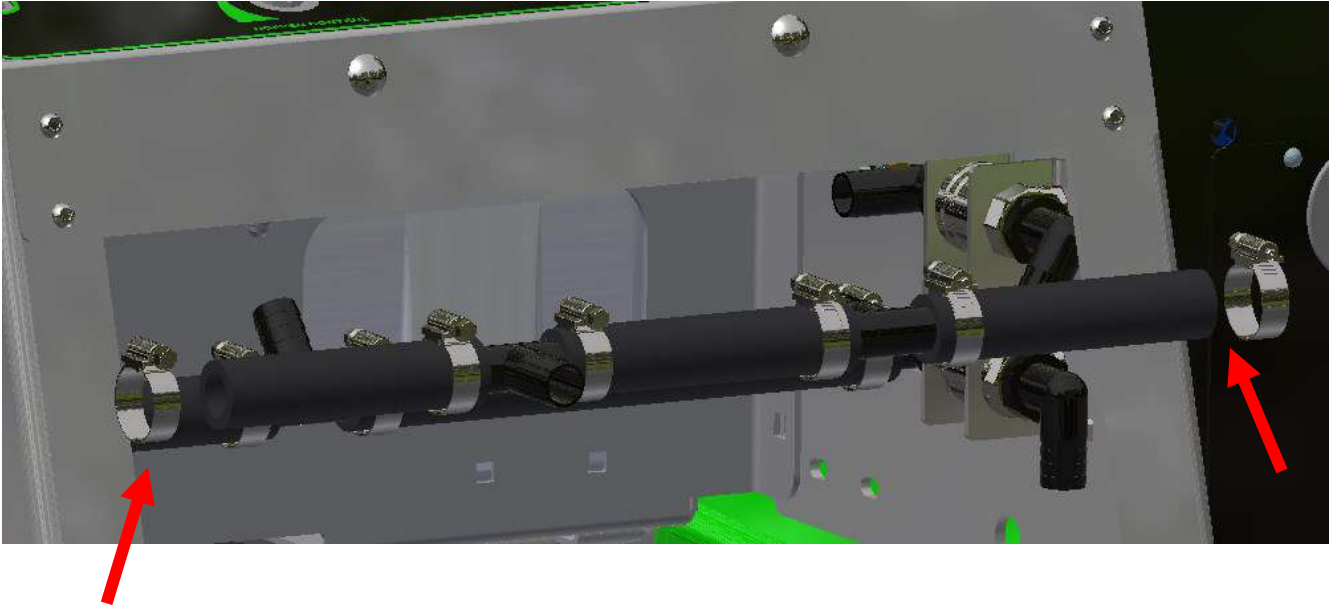
**STEP 11:** Remove the 3/4" elbow fitting from 35 gal. tank suction port & install the 3/4" X 1" elbow provided with the kit (EL100 HB).

**NOTE:** *Be sure to use pipe dope on pipe threads.*



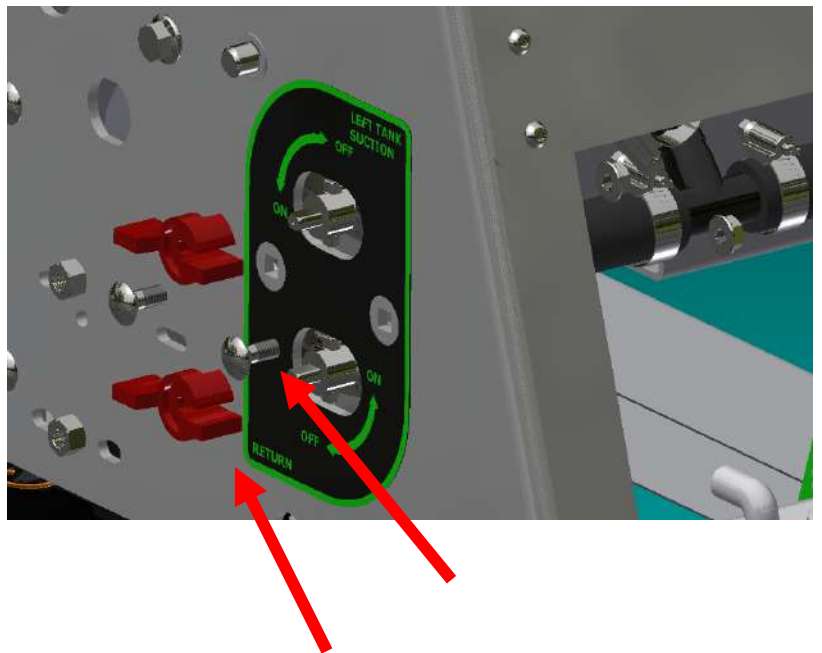
## DOUBLE SPRAY PUMP INSTALLATION

**STEP 12:** Loosen the hose clamps on the left & right suction valves and remove the 3/4" suction hose assembly from the suction valves.



**STEP 13:**

- Remove the 9/16" nuts & red handles from the valves.
- Loosen the bolts to free the valve assembly.

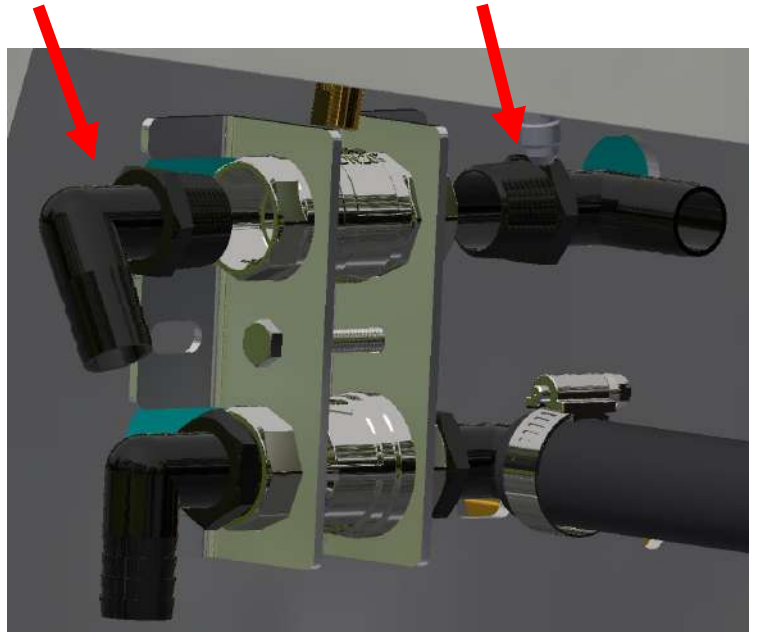


## DOUBLE SPRAY PUMP INSTALLATION

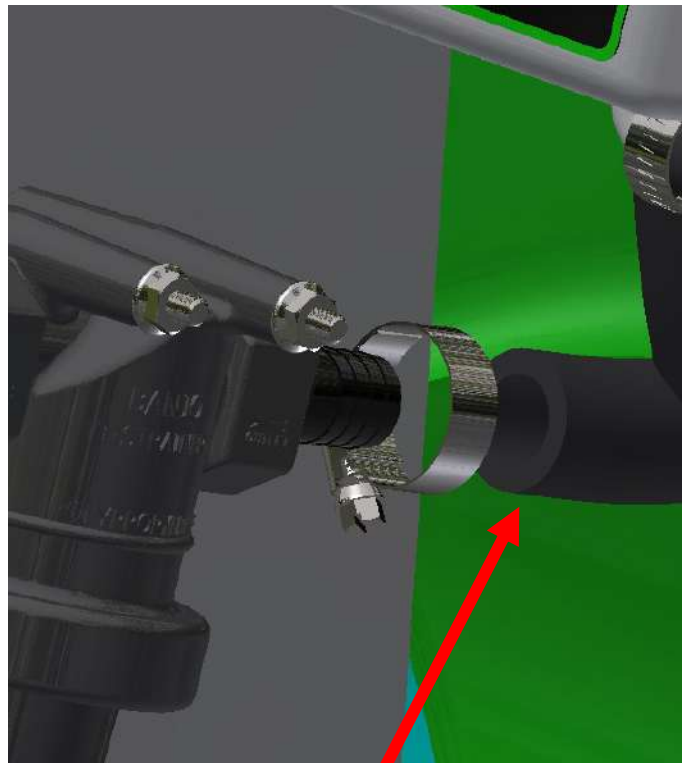
- With the valve assembly loose, remove the both of the suction valve elbows & replace them with (2) of the 3/4" X 1" barb elbows provided with the kit (EL100 HB).

### NOTE:

- *Be sure to use pipe dope on the pipe threads.*
  - *The orientation of the elbows.*
- Reattach the valve assembly.



**STEP 14:** Loosen the hose clamp & remove the suction hose from the strainer "outlet" port.



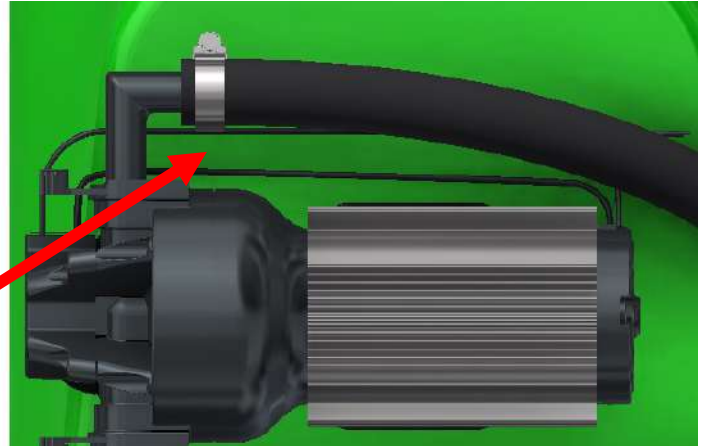
D

## DOUBLE SPRAY PUMP INSTALLATION

**STEP 15:** Loosen the hose clamp & remove the suction hose from the pump "inlet" port.

**NOTE:** *The hose should now be free & able to be removed from the machine.*

D



**STEP 16:** Remove the fittings from the strainer and install the 3/4" X 1" barb fittings provided with the kit (S52017).

**NOTE:** *Be sure to use pipe dope on pipe threads.*

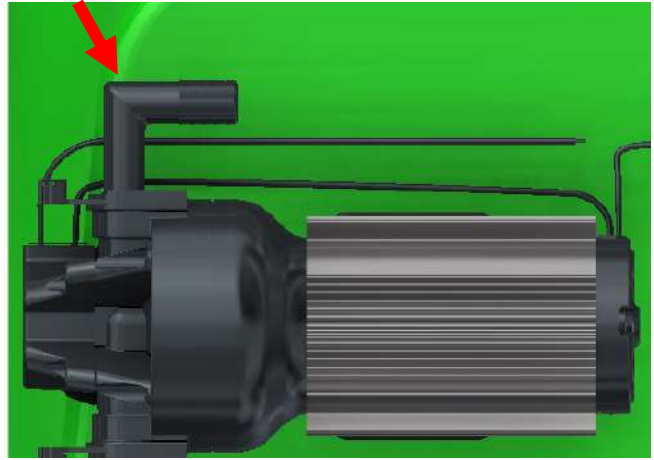


## DOUBLE SPRAY PUMP INSTALLATION

### STEP 17:

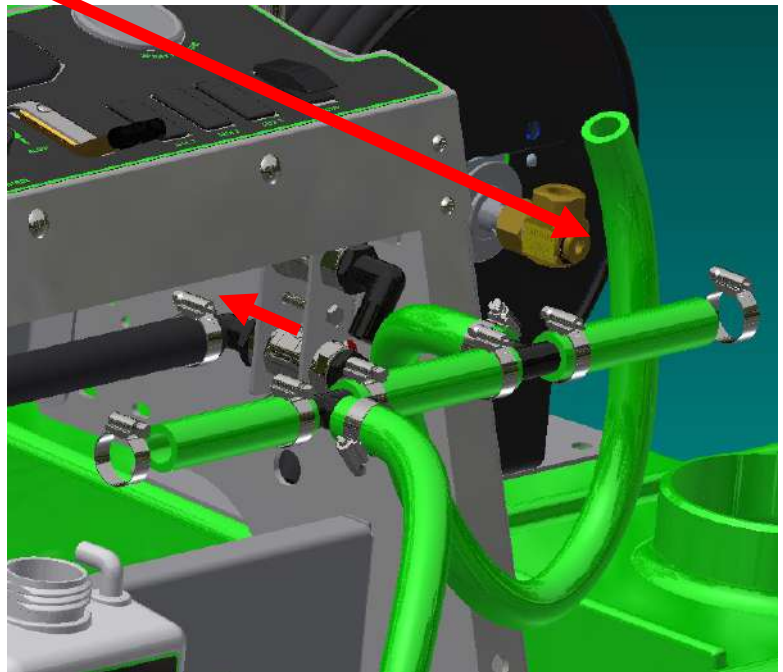
- Remove the 3/4" elbow fitting from the "inlet" port of the pump.
- Replace it with the 1" barb fitting provided with the kit.

**NOTE:** Be sure to use pipe dope on pipe threads.



**NOTE:** Picture shown with additional suction hose

- STEP 18:** Install the 1" suction hose assembly provided with the kit to the suction valves & securely fasten with hose clamps.

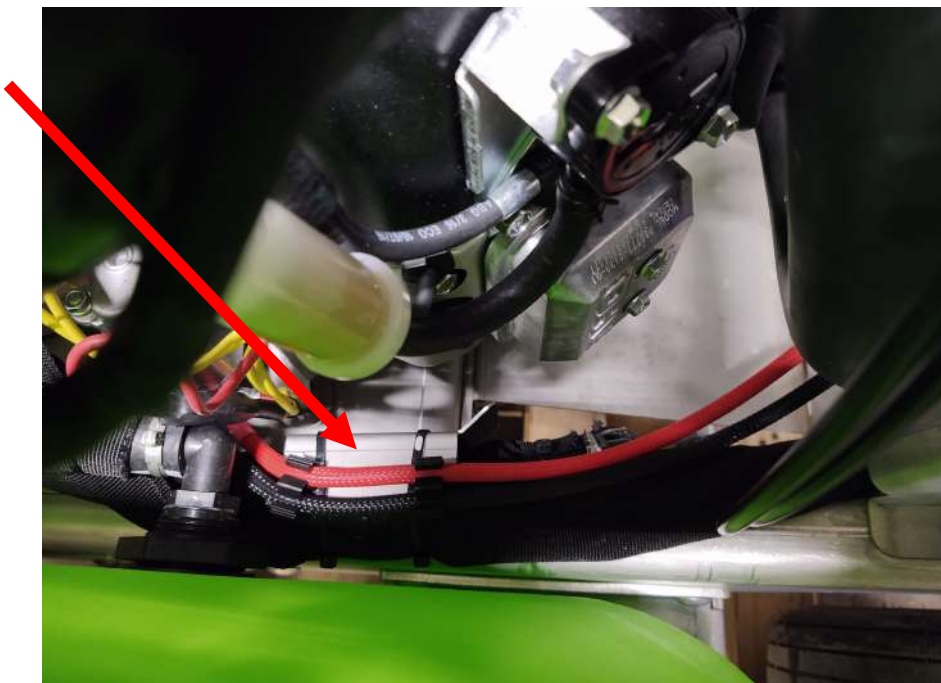
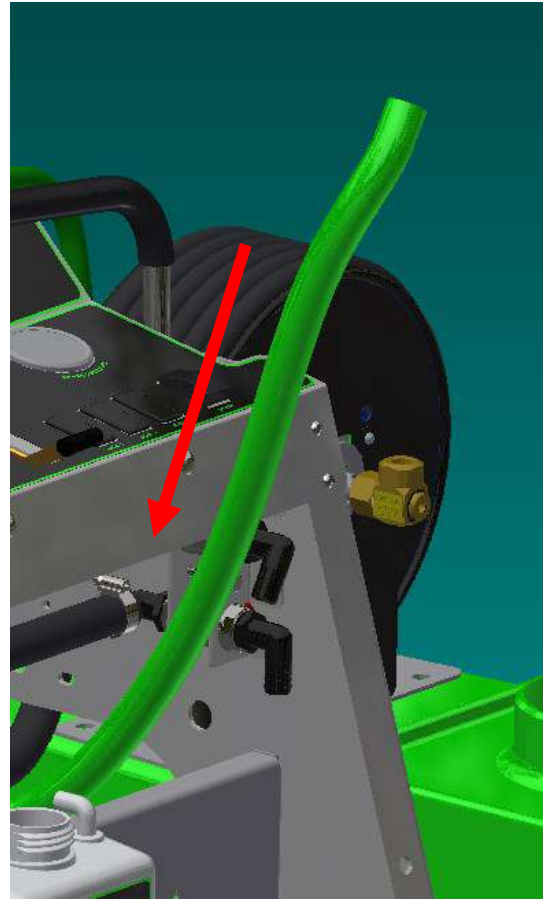
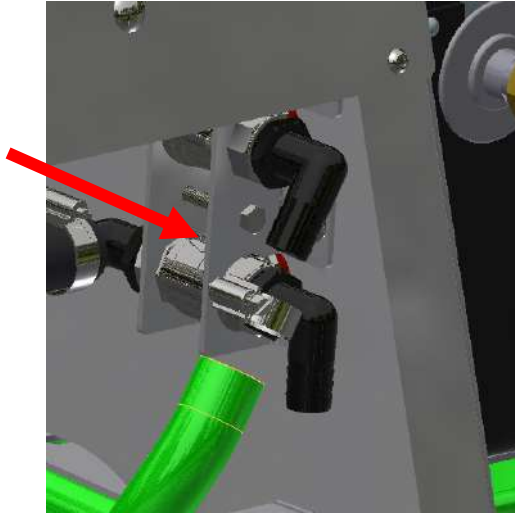


## DOUBLE SPRAY PUMP INSTALLATION

### STEP 19:

- Feed the “green” 1” X 55-1/2” hose down through the upright, along the frame & hose guide with the existing hoses.
- Connect the end of the hose to the suction valve & securely fasten with hose clamp.

**NOTE:** Repeat this step for the left side.

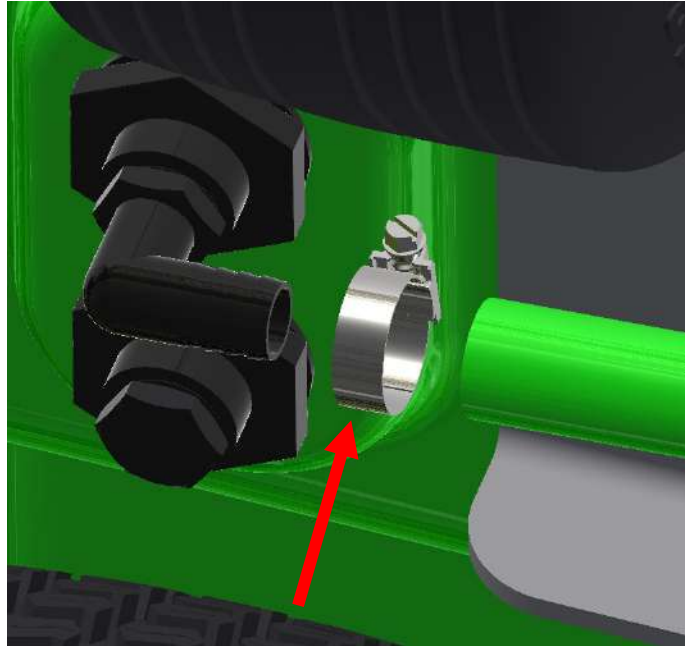




## DOUBLE SPRAY PUMP INSTALLATION

- Connect the other end of the hose to the suction port of the tank.

**NOTE:** Repeat this step for the left side.



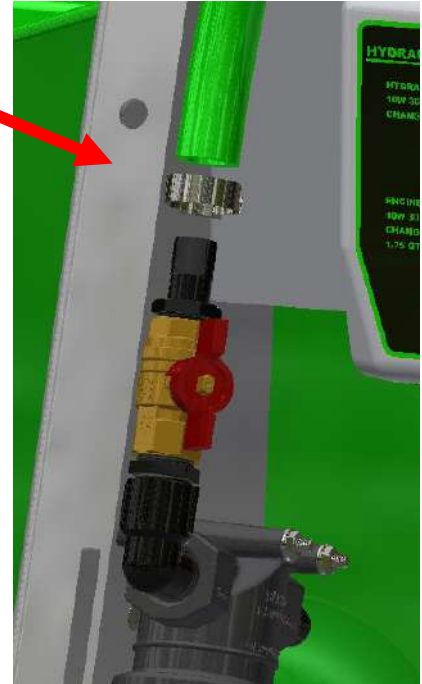
- Reattach the protection shields to both sides of the machine.



## DOUBLE SPRAY PUMP INSTALLATION

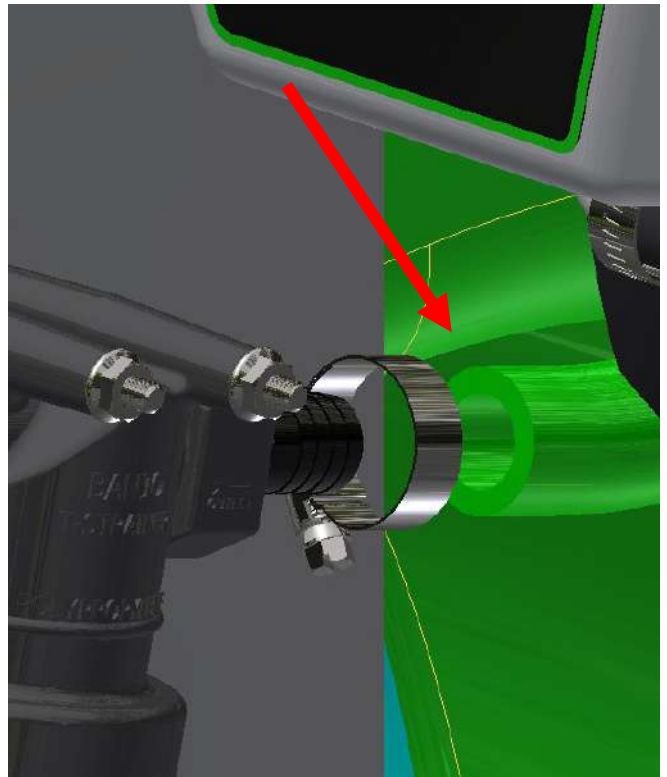
**STEP 20:** Connect the “green” 1” X 16” hose to the inlet valve of the strainer & securely fasten with hose clamp.

**NOTE:** *The other end of the hose will come pre-fastened to the suction hose assembly.*



### STEP 21:

- Connect the end of the “green” 1” X 23-12” hose to the outlet port of the strainer.
- Securely fasten with hose clamp.
- Route the hose through the upright, & up to the pump.



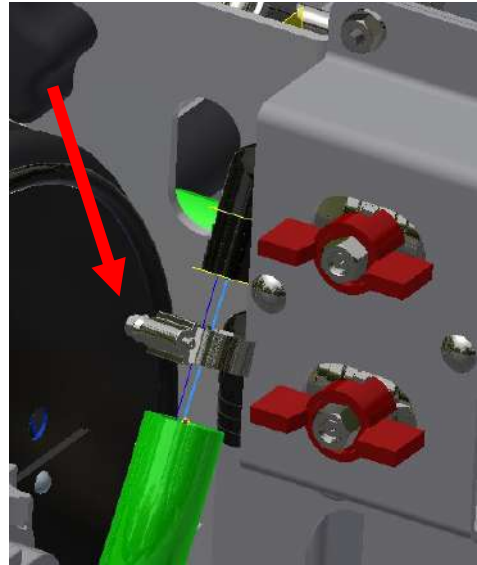
## DOUBLE SPRAY PUMP INSTALLATION

**NOTE:** Proceed with step 22-24 ONLY if your machine is equipped with optional 35 gallon tank.

**NOTE:** The other end of the hose is pre-fastened to the suction hose assembly (ref. step nineteen).

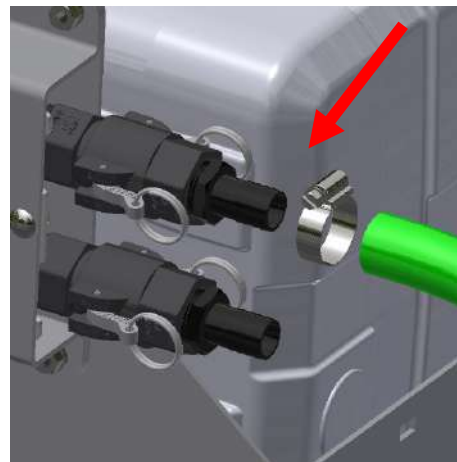
### STEP 22:

- Connect the end of the “green” 1” X 32-3/4” hose to the suction quick disconnect valve.
- Securely fasten with hose clamp.



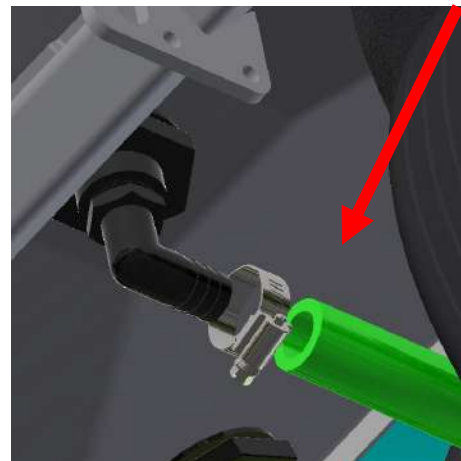
### STEP 23:

- Connect one end of “green” 1” X 46-1/2” hose to the quick disconnect valve.
- Securely fasten with hose clamp.
- Route the down in front of the engine to the bottom of the 35 gallon tank.



### STEP 24:

- Connect the other end of “green” 1” X 46-1/2” hose to the suction port on the bottom of the 35 gallon tank.
- Securely fasten with hose clamp.



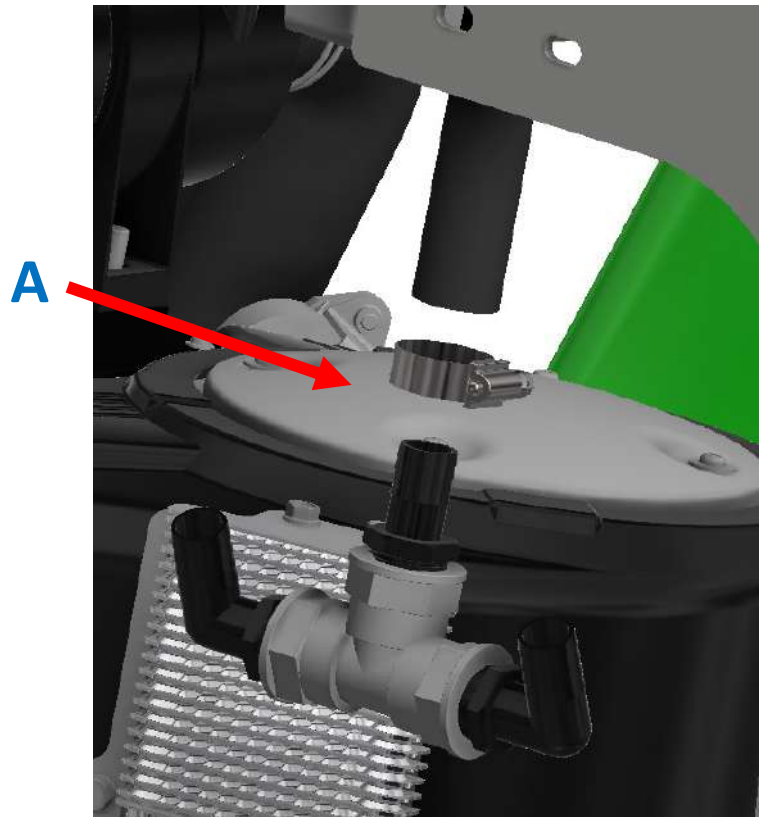
## DOUBLE SPRAY PUMP INSTALLATION

**NOTE:** ALL hoses are to be.....

- Securely fastened with hose clamps.
- Free of sharp edges and hot areas.

### STEP 25:

- Cut 3/4" return hose 16" long.
- Connect one end of the hose to the spray manifold inlet barb fitting
- Connect the 3/4" tee fitting assembly to the other end.
- Securely fasten with 12HS hose clamps.



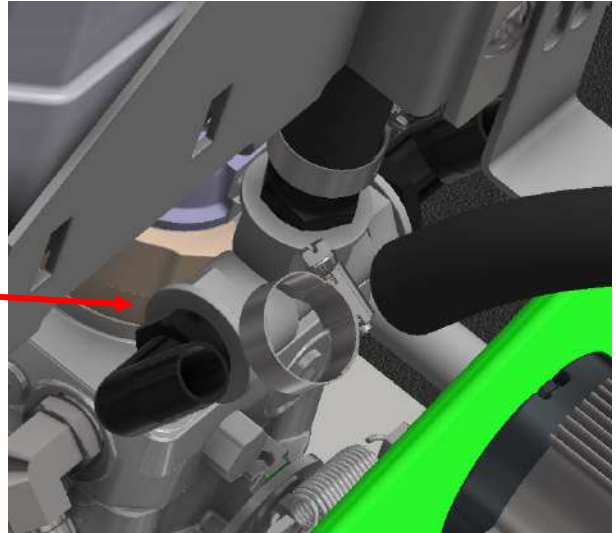
## DOUBLE SPRAY PUMP INSTALLATION

**NOTE:** For SG36 & SG42 go to step 26A.

### STEP 26:

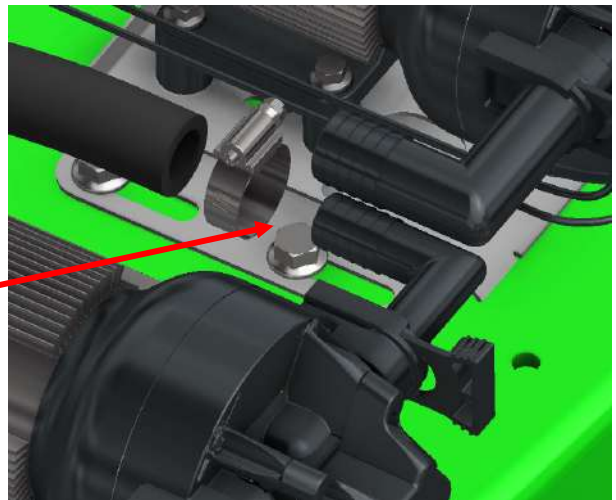
- Cut 3/4" return hose. (length as needed)
- Connect one end of the hose to the left elbow on the return tee fitting.

**B**

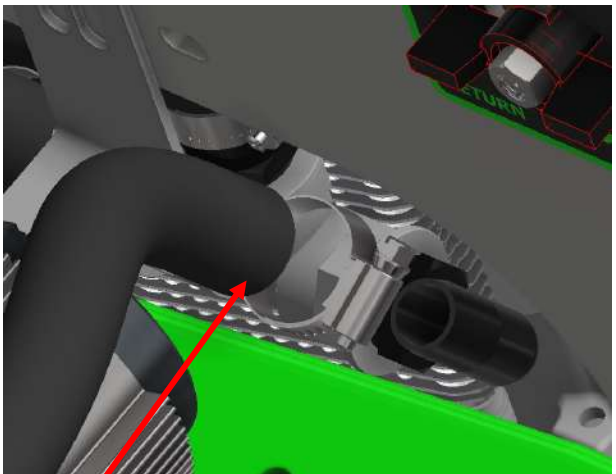


- Connect the other end to the "outlet port" of spray pump 1.

**B**



- Cut 3/4" return hose. (length as needed)
- Connect one end of the hose to the right elbow on the return tee fitting.



**C**

## DOUBLE SPRAY PUMP INSTALLATION

- Connect the other end to the “outlet port” of spray pump 2.

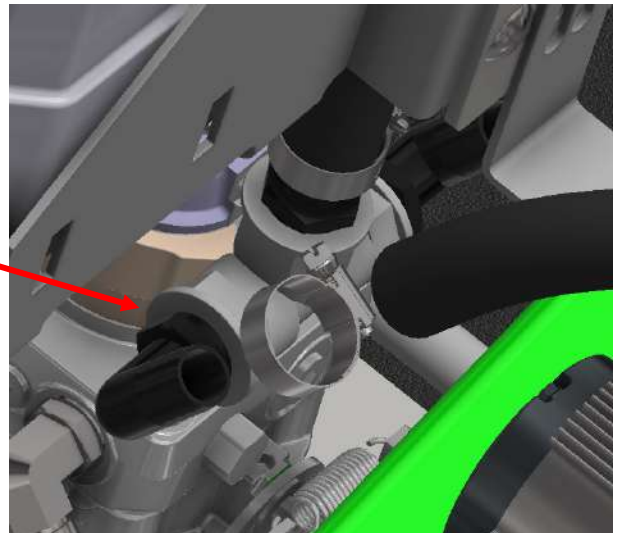


C

### STEP 26A:

- Cut 3/4" return hose. (length as needed)
- Connect one end of the hose to the left elbow on the return tee fitting.

B



- Connect the other end to the “outlet port” of spray pump 1.

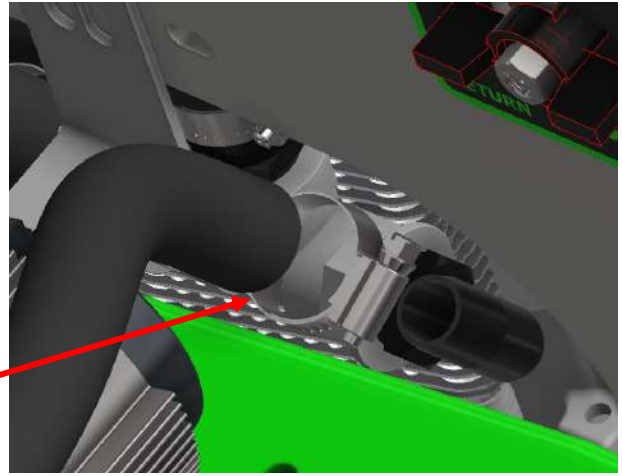
B



## DOUBLE SPRAY PUMP INSTALLATION

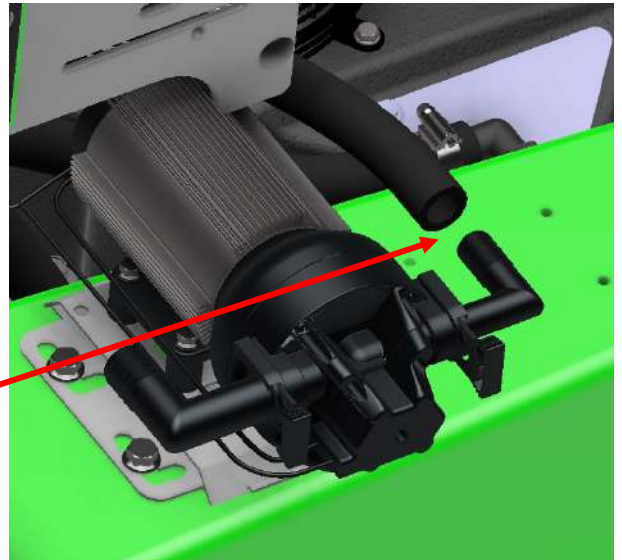
- Cut 3/4" return hose. (length as needed)
- Connect one end of the hose to the right elbow on the return tee fitting.

C



- Route & connect the other end of the hose to right side spray pump.

C



## DOUBLE SPRAY PUMP INSTALLATION

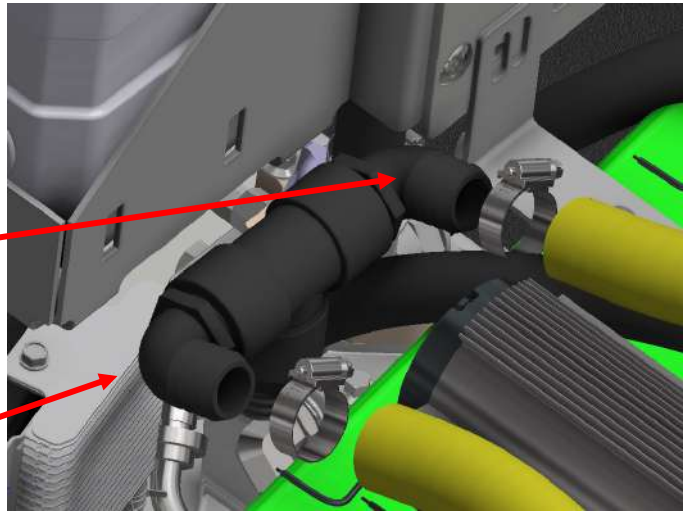
**NOTE:** For SG36 & SG42 go to step 27A.

### STEP 27:

- Cut (2) 1" suction hoses (length as needed).
- Connect one end of each hose to the 1" tee fitting assembly.

E

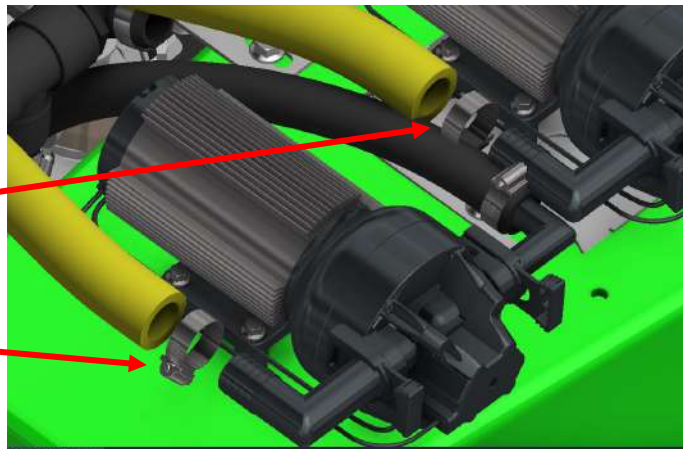
D



- Connect the other end of each 1" hose to the suction ports on the spray pumps.

E

D



### STEP 27A:

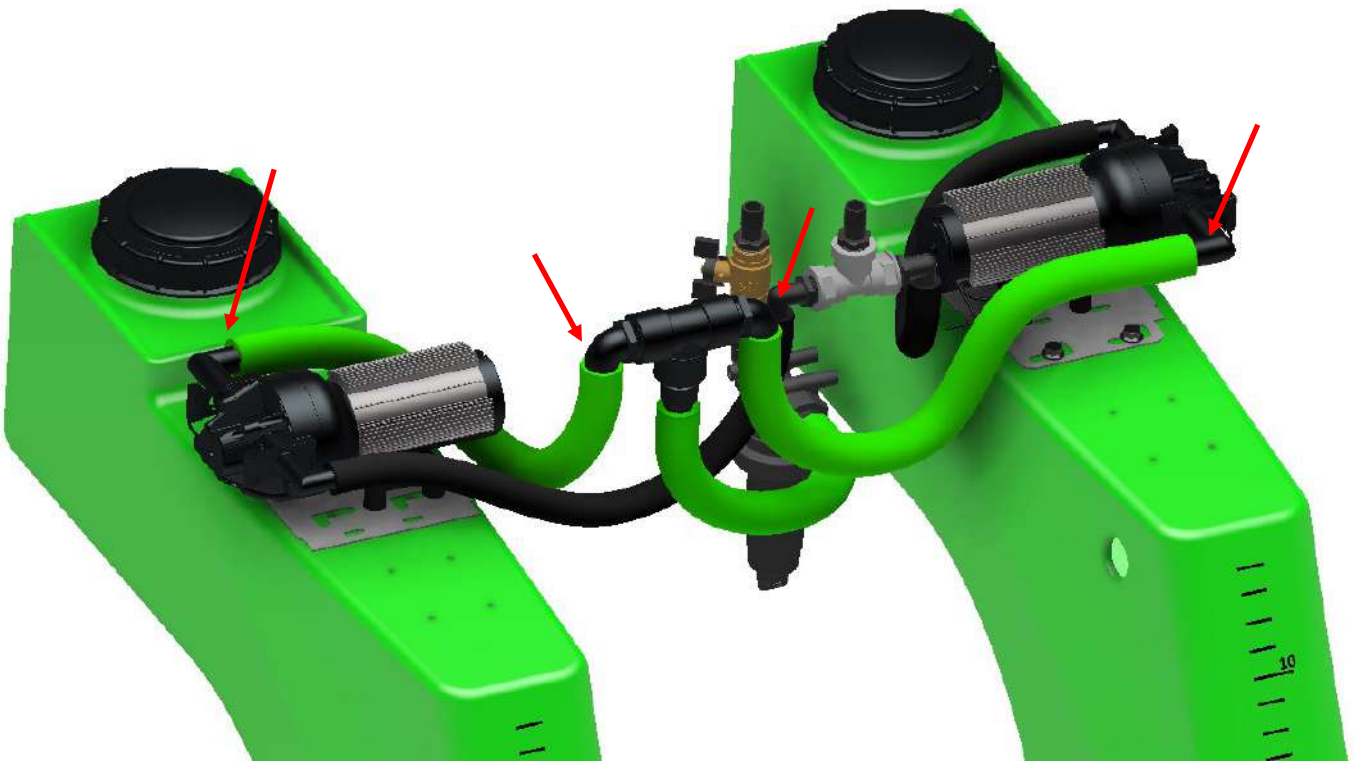
- Cut 1" suction hose (length as needed).
- Connect one end of the hose to the strainer "inlet port".





## DOUBLE SPRAY PUMP INSTALLATION

- Cut 1" suction hoses to length as needed.
- Connect one end of the hoses to the tee fitting.
- Connect the other end of the 1" hoses to the suction ports on the spray pumps.

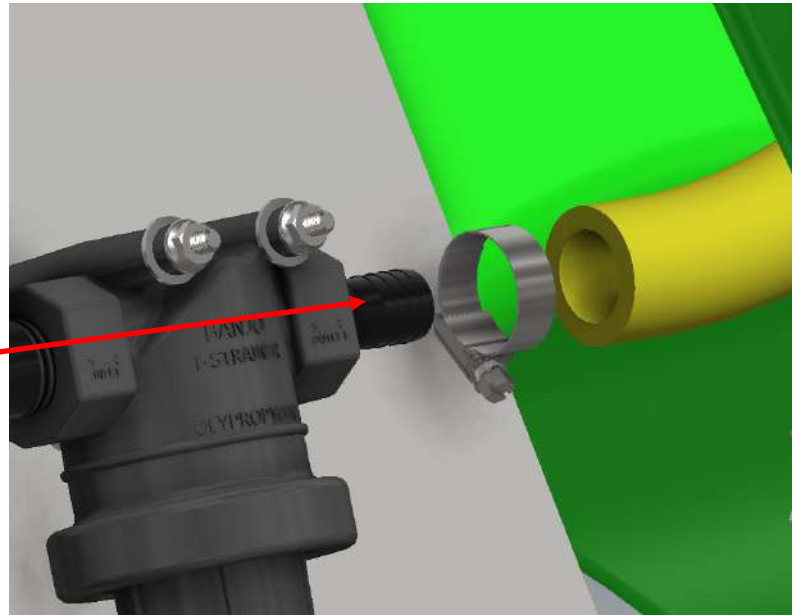


## DOUBLE SPRAY PUMP INSTALLATION

### STEP 28:

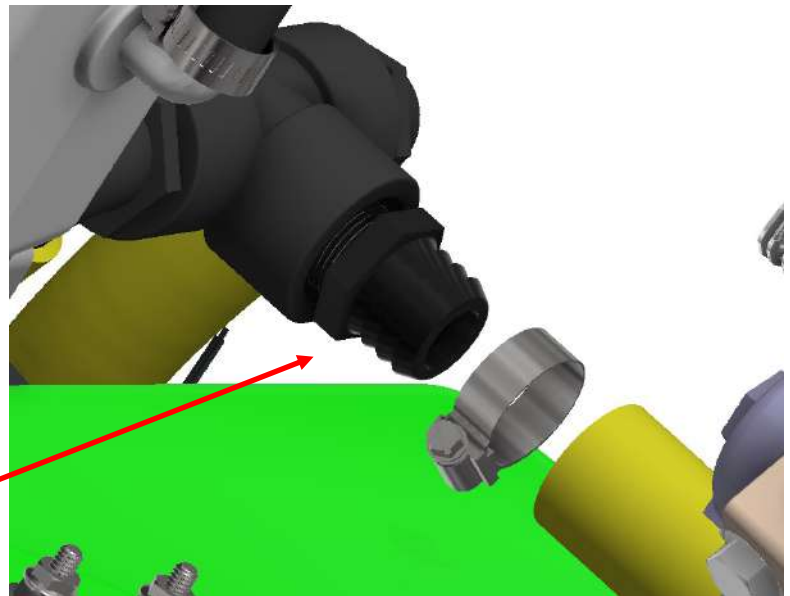
- Cut 1" suction hose (length as needed).
- Connect the hose to the strainer "inlet port".

F



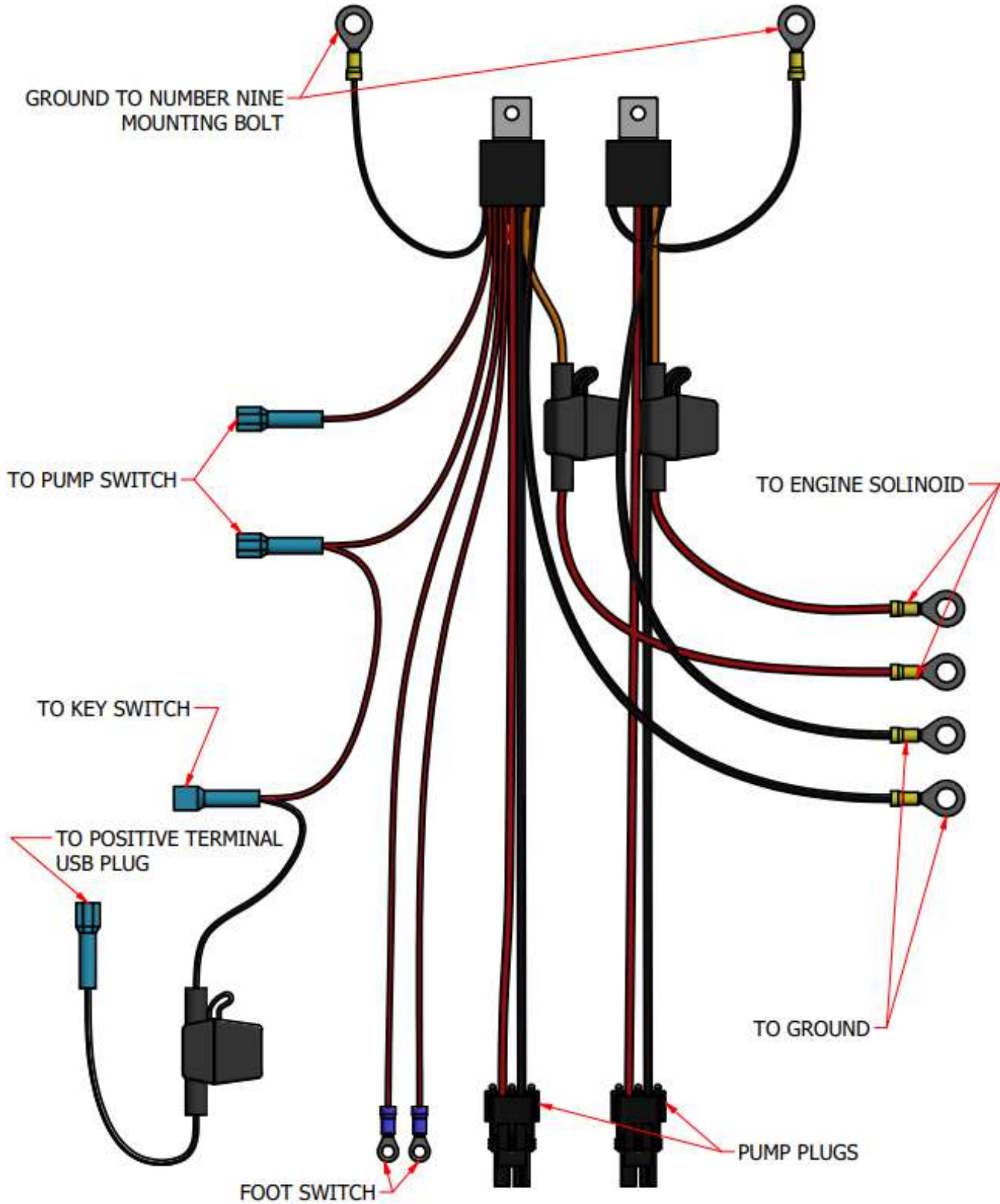
- Connect the other end of the 1" hose to the bottom of the 1" tee fitting assembly.

F



# DOUBLE SPRAY PUMP INSTALLATION

## DUAL PUMP HARNESS (SG-FT-DUAL)



## DOUBLE SPRAY PUMP INSTALLATION

### CAUTION!

Before beginning any of the following instructions **BESURE** all the tanks have been drained

#### NOTE:

- Disconnect the battery, ground first and then power wire.
- Before starting the following steps the existing pump wiring harness will need to be removed.



GROUND

POWER

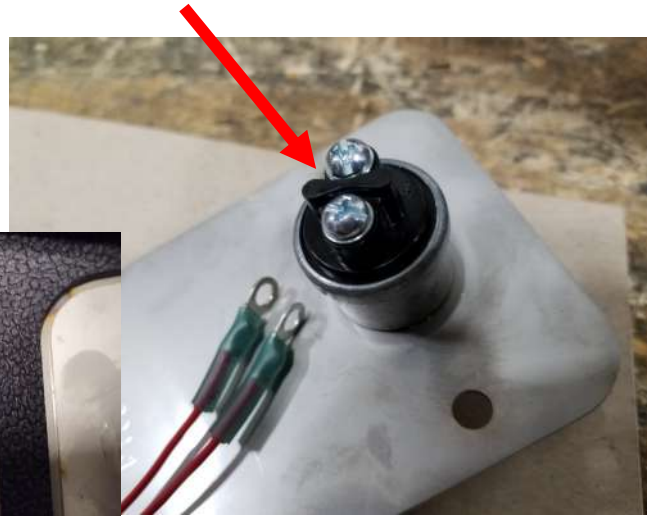
#### STEP 29:

- Attach the harness relay ground wires to the nut on the suction\return valve assembly on the "right side".
- Secure the relay end of the harness to the suction hose with zip ties.



## DOUBLE SPRAY PUMP INSTALLATION

**STEP 30:** Route the wires for the foot switch down the upright with the existing bundle, through the hole in the foot board and connect them to the foot switch.

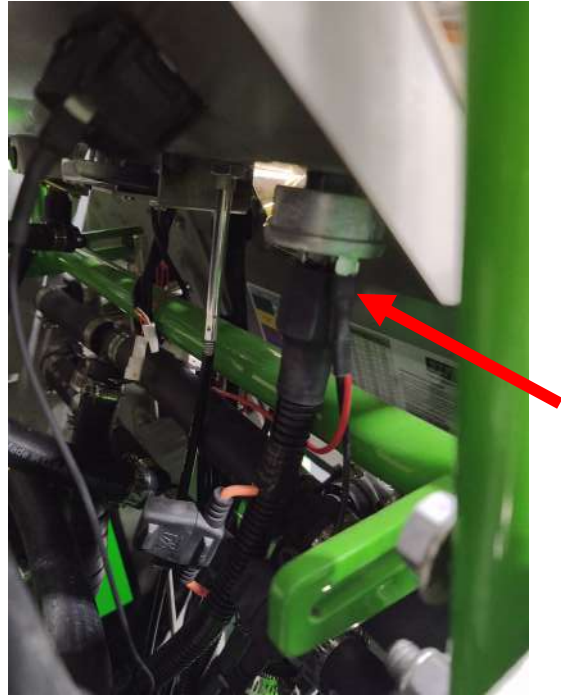


**STEP 31:** Connect the pump power switch wires to the “rocker switch”



## DOUBLE SPRAY PUMP INSTALLATION

**STEP 32:** Connect the wire for the key switch.



**STEP 33:** Connect the “fused” connector to the positive terminal on the usb port.

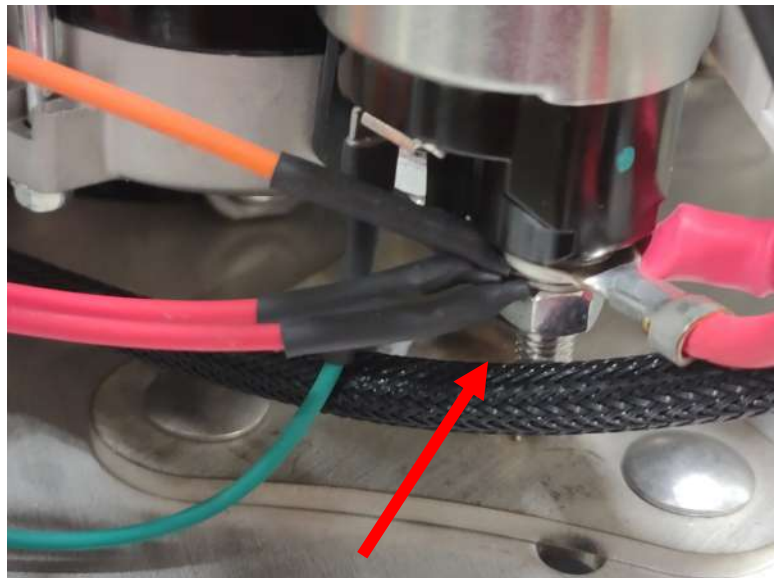


## DOUBLE SPRAY PUMP INSTALLATION

**STEP 34:** Connect the #9 ground wires to the upright cross member.



**STEP 35:** Connect the red power wires to the engine solenoid.



## DOUBLE SPRAY PUMP INSTALLATION

### STEP 36:

- Connect both pump plugs to the harness .
- Zip tie the plugs to the suction hose as shown.

**NOTE:** Check the harness and make sure it is neatly routed and zip tied away from moving and hot parts..



### STEP 37:

- Reconnect the battery cables, power cable and wires first followed by the ground wire.
- Connect the power and ground cables from the harness.
- Attach the battery box cover and bungee strap.



GROUND

POWER









MADE IN THE USA

Steel Green Mfg.  
824 S State Road 39  
Lebanon, IN 46052  
(765)-481-2890

[www.steelgreenmfg.com](http://www.steelgreenmfg.com)

MANUAL PART NO.	MANUAL REV.	DESCRIPTION	KIT PART NO.
SGM-015	E	SG DOUBLE SPRAY PUMP	P60004