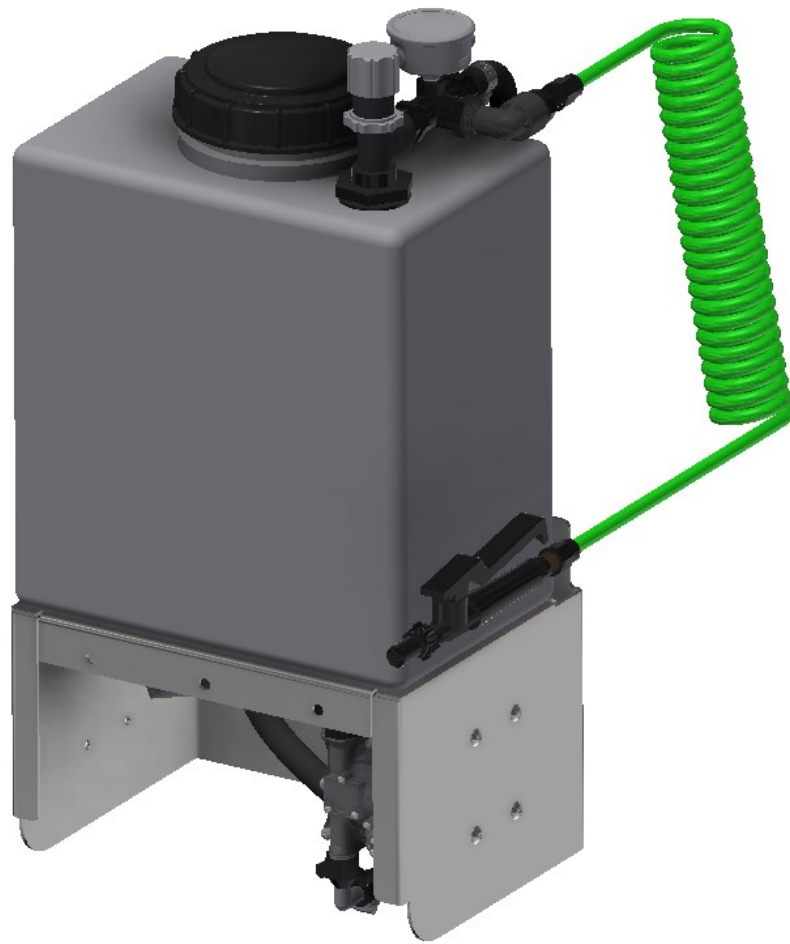


STEELGREEN MANUFACTURING™

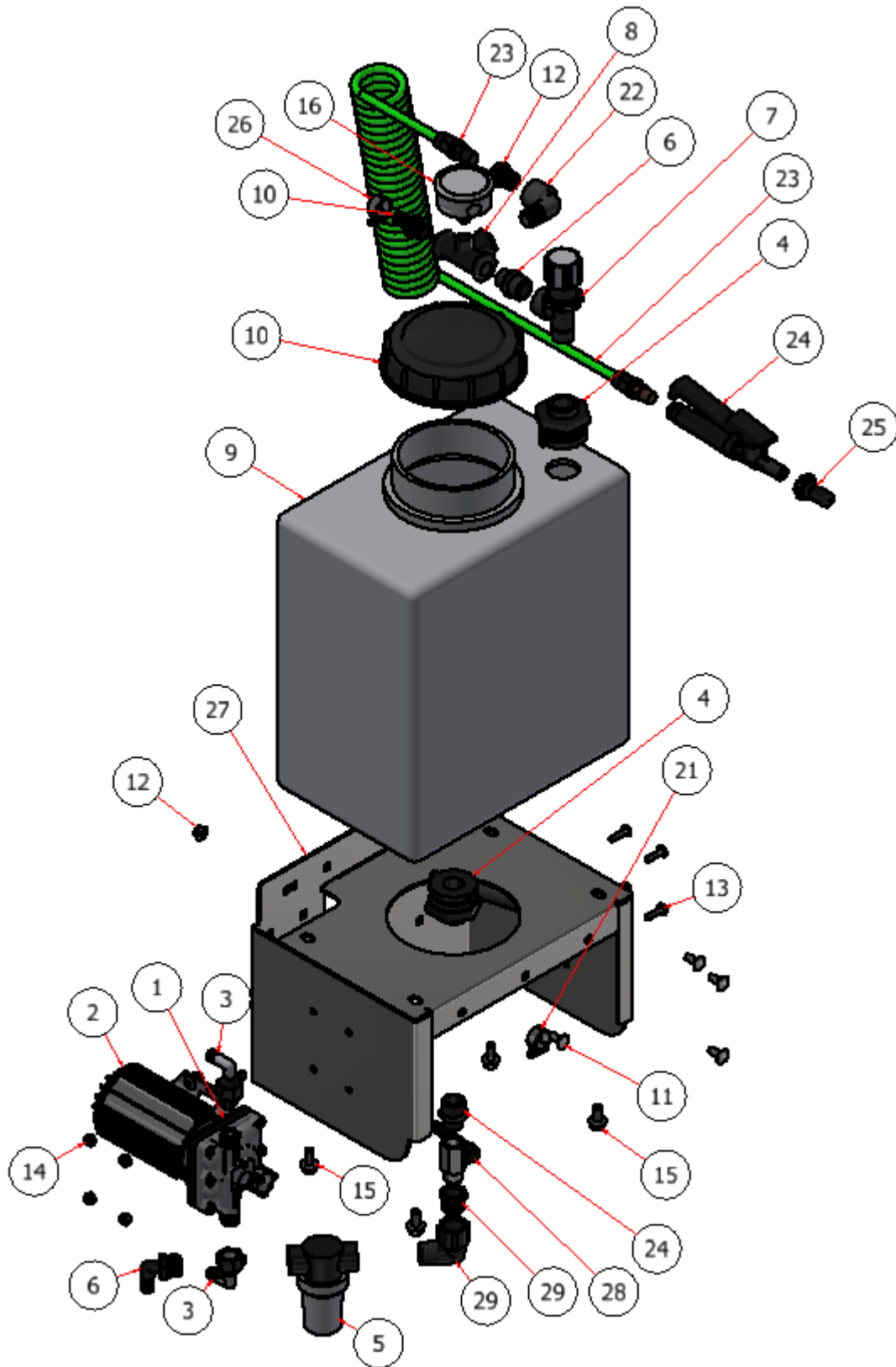
INSTRUCTION MANUAL

7 GAL. INDEPENDENT SPRAYER ATTACHMENT

Models: SG46, & SG52



7 GAL. INDEPENDENT SPRAYER EXPLODED VIEW ,LEFT SIDE



7 GAL. INDEPENDENT SPRAYER EXPLODED VIEW, LEFT SIDE

PARTS LIST			
ITEM	QTY	PART NUMBER	DESCRIPTION
1	1	S54000	PUMP, SHURFLO
2	1	S54120	HEAT SINK, SPRAY PUMP
3	2	S54103	PUMP FITTING, BARB, ELBOW, 1/2 X 1/2
4	2	S51242	BULKHEAD FITTING, TANK
5	1	S51270	SPRAY FILTER
6	1	S52028	ELBOW, 3/4 X 1/2 BARB
7	1	S51283	VALVE, THROTTLING
8	1	S52000	TEE, PIPE, 3/4 WITH GAUGE PORT
9	1	M10007-L-IND	TANK, 7 GALLON
10	1	S51243	CAP, TANK
11	4	CB-51634	CARRIAGE BOLT, SS - 5/16-18 x 3/4
12	4	HFNCS-516S	HEX FLANGE NUT, SS - 5/16-18
13	4	TRPC-141S	PHILLIPS SCREW, SS - 1/4-20 x 1
14	4	SSNNC-14	NYLOCK, SS - 1/4-20
15	4	HFSSC-3875	HEX BOLT, 3/8 X 3/4
16	1	S51234-D	PRESSURE GAUGE, 60 PSI
17	1	R21-113	ANTI VORTEX PLATE
18	1	S53019	HOSE, COIL
19	1	S51260	HANDLE, SPRAY
20	1	S52041	90 ELBOW, 3/4 MNPT X 3/4 FNPT
21	4	MS4	HOSE CLAMP, 3/8
22	1	S51261	NOZZLE, SPRAY
23	1	S52013	1/2 MNPT X 1/2 HOSE BARB
24	2	S52064	3/4 X 1/2 REDUCER
25	1	S52040	1/2" 90° Street Elbow
26	1	S52050	1/2 X 1/4
27	1	W22-183	TANK SUPPORT, 7 GAL. SG46/52
28	1	S34DZ0	BALL VALVE, 1/2"
29	1	S52051	BUSHING, PIPE, 3/4 X 1/2

7 GAL. INDEPENDENT SPRAYER EXPLODED VIEW, RIGHT SIDE

PARTS LIST			
ITEM	QTY	PART NUMBER	DESCRIPTION
1	1	S54000	PUMP, SHURFLO
2	1	S54120	HEAT SINK
3	2	S54103	ELBOW FITTING 90DEG. BARB
4	2	S51242	TANK BULKHEAD FITTING
5	1	S51270	SPRAY FILTER
6	2	S52064	3/4 X 1/2 REDUCER
7	1	S52028	90DEG. .5008 .750T
8	1	S51283	REGULATOR
9	1	S52000	PIPE TEE
10	1	S52013	1/2 MNPT X 1/2 HOSE BARB
11	1	M1007	M1007-R-IND
12	1	S52050	1/2 X 1/4
13	1	S51243	TANK CAP
14	4	CB-51634	CARRIAGE BOLT, SS - 5/16-18 x 3/4
15	4	HFNCS-516S	HEX FLANGE NUT, SS - 5/16-18
16	4	TRPC-141S	PHILLIPS SCREW, SS - 1/4-20 x 1
17	4	SSNNC-14	NYLOCK, SS - 1/4-20
18	4	HFSSC-3875	HEX BOLT, 3/8 X 3/4
19	1	S51234-D	PRESSURE GAUGE, 60 PSI
20	1	R21-113	ANTI VORTEX PLATE
21	1	S52040	1/2" 90° Street Elbow
22	1	S53019	HOSE, COIL
23	1	S51260	HANDLE, SPRAY
24	1	S51261	NOZZLE, SPRAY
25	4	MS4	HOSE CLAMP, 3/8
26	1	S52041	PIPE ELBOW 90 DEG.
27	1	W22-183	TANK SUPPORT, 7 GAL. SG46/52
28	1	S34DZ0	BALL VALVE, 1/2"
29	1	S52051	BUSHING, PIPE, 3/4 X 1/2

7 GAL. INDEPENDENT SPRAYER ASSEMBLY INSTRUCTIONS

STEP 1: Disconnect the battery, *ground* first and then *power* wire.

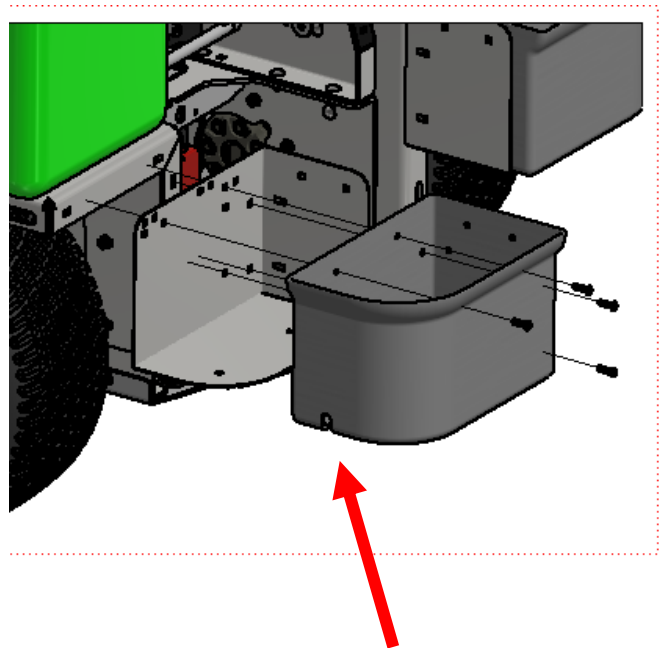


GROUND

POWER

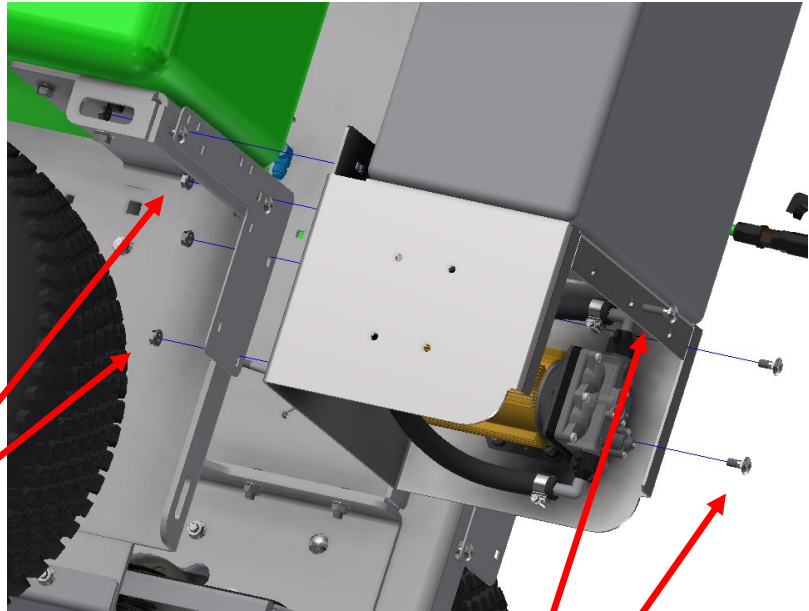
NOTE: Steps 2 & 3 instructions are the same for the right and left side, if both left & right side tanks are being installed.

STEP 2: Remove existing storage container and support bracket from the frame.



7 GAL. INDEPENDENT SPRAYER ASSEMBLY INSTRUCTIONS

STEP 3: Install the independent sprayer to the frame as shown.



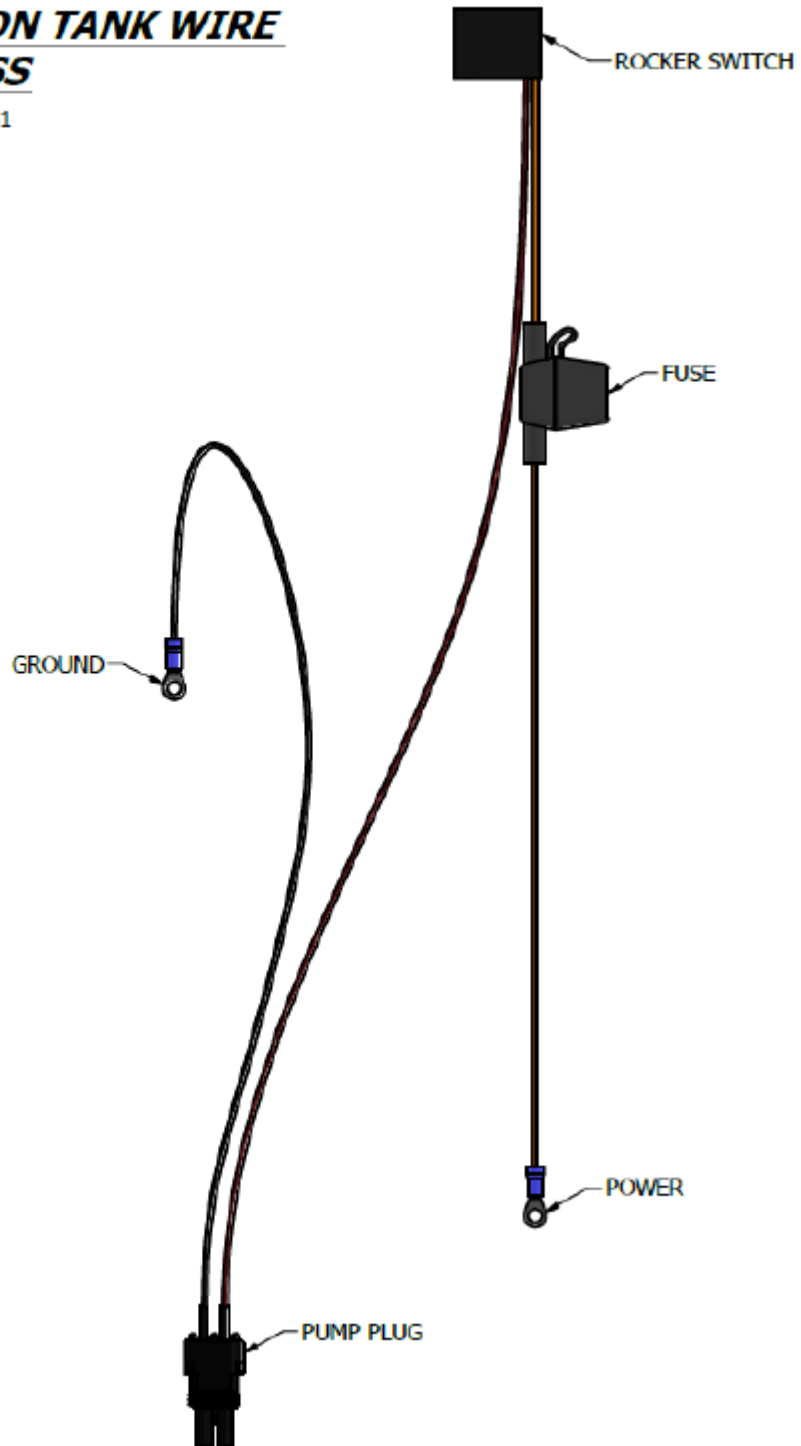
Hex nuts HFNC5-516S qty. (4)

Carriage bolts CB-51634 qty. (4)

7 GAL. INDEPENDENT SPRAYER ASSEMBLY INSTRUCTIONS

7 GALLON TANK WIRE HARNESS

PART NO. SG-7G1

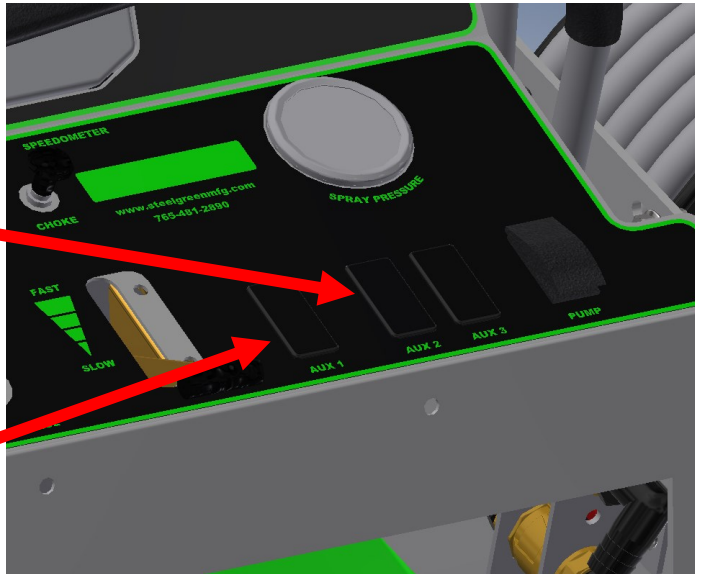


7 GAL. INDEPENDENT SPRAYER ASSEMBLY INSTRUCTIONS

STEP 4: Remove the plastic cap from the appropriate "Aux" in the panel.

RIGHT SIDE PUMP

LEFT SIDE PUMP



STEP 5: Attach the rocker switch to the appropriate opening.

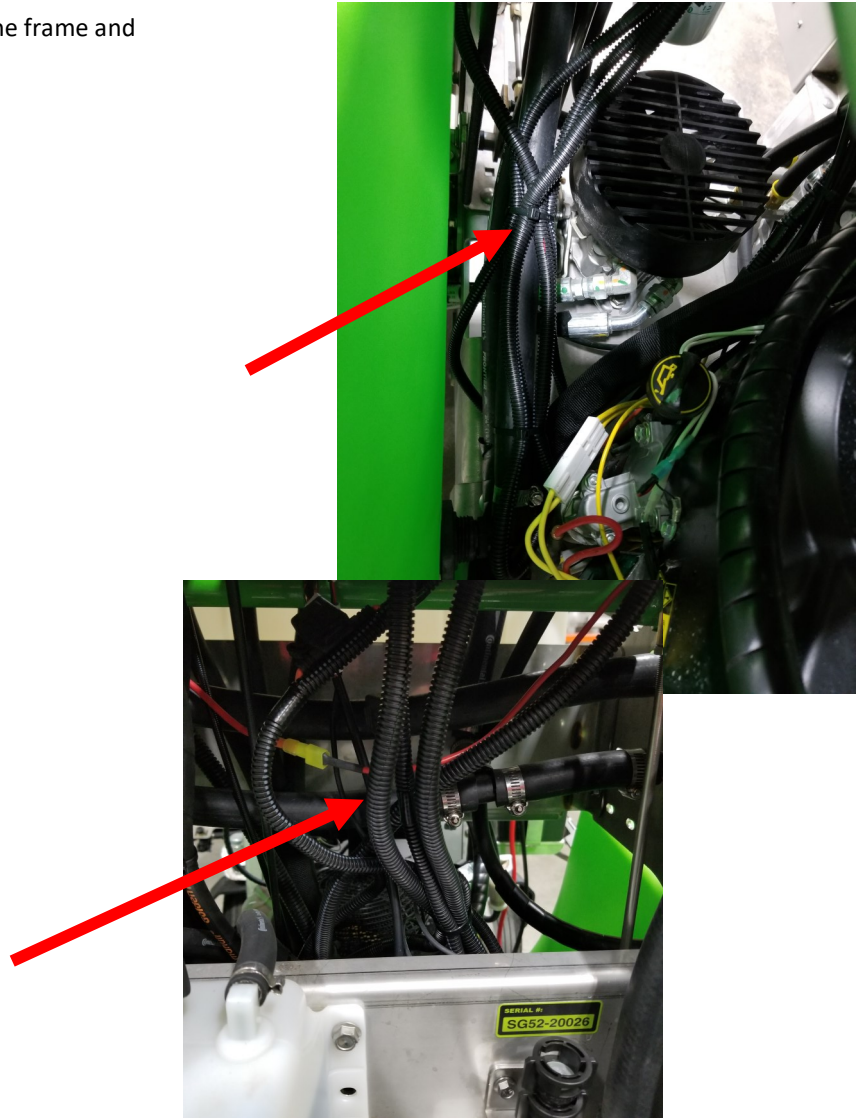
RIGHT SIDE PUMP

LEFT SIDE PUMP

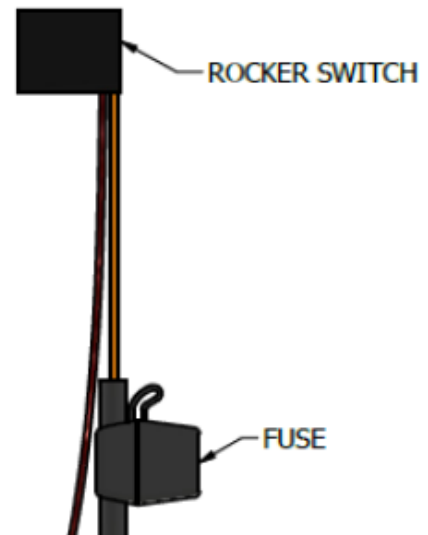


7 GAL. INDEPENDENT SPRAYER ASSEMBLY INSTRUCTIONS

STEP 6: Route the “pump” wiring harness along the frame and upright to the dash panel securing it with zip-ties.

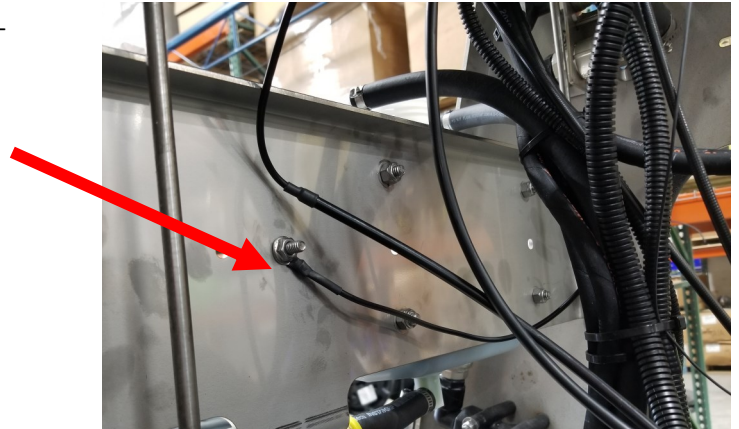


STEP 7: Connect the wiring harness to the rocker switch.



7 GAL. INDEPENDENT SPRAYER ASSEMBLY INSTRUCTIONS

STEP 8: Connect the ground wire from the “pump” wiring harness to the up right cross member.



STEP 9: Connect the plug on the harness to the pump on the 7 gallon tank.



STEP 10: Reconnect the battery *power wire* first along with the *pump power wire* from the wiring harness, and then reconnect the *ground wire*.



GROUND

POWER

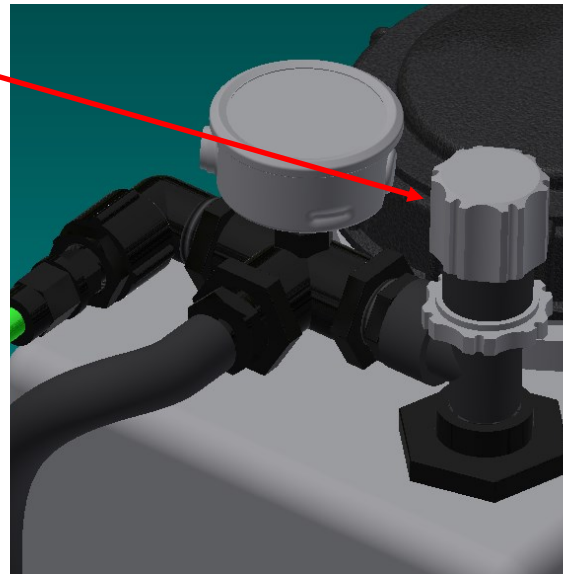
7 GAL. INDEPENDENT SPRAYER ASSEMBLY INSTRUCTIONS

OPERATION

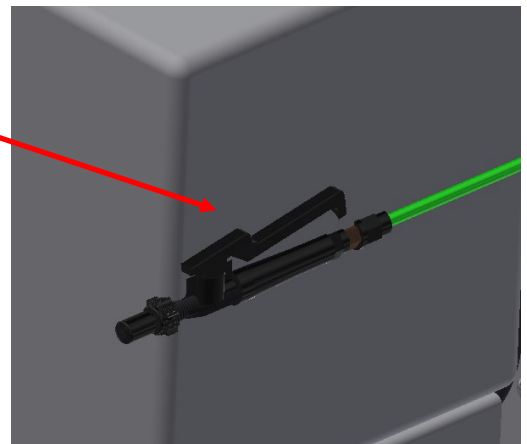
STEP 1: Press the switch on the dash to power the pump "on".



STEP 2: Turn the knob on the throttle valve to adjust the spray pressure,



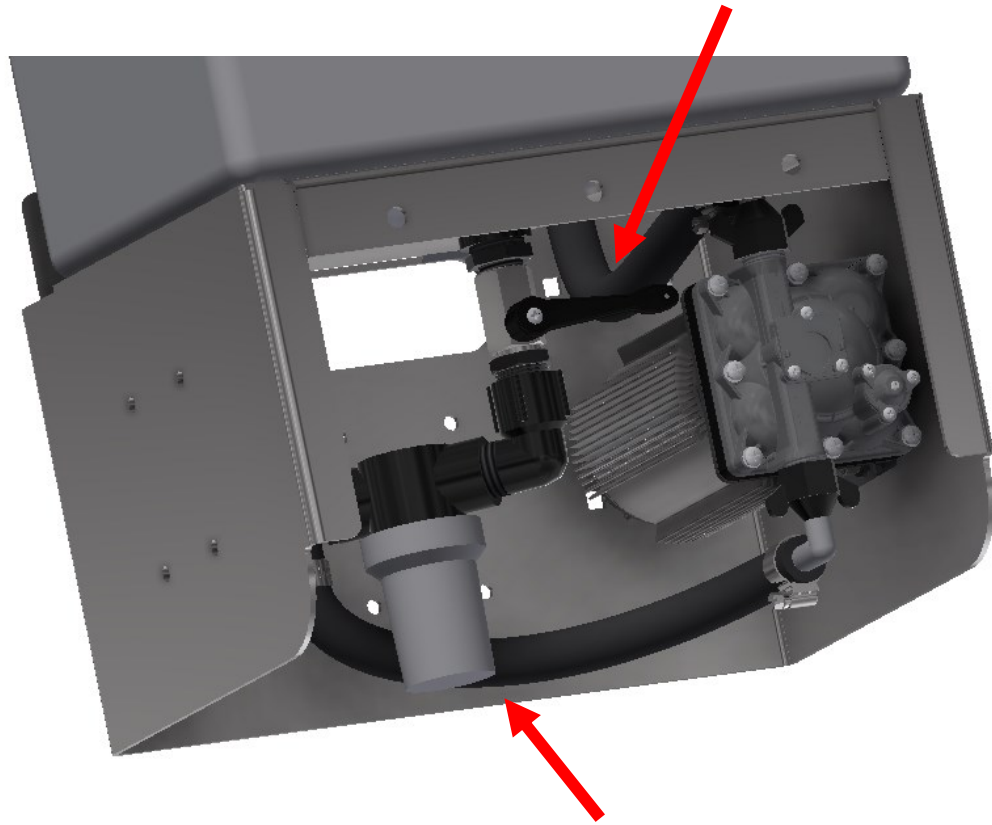
STEP 3: Squeeze the trigger on the spray handle to spray.



7 GAL. INDEPENDENT SPRAYER ASSEMBLY INSTRUCTIONS

MAINTENANCE

- Turn the ball valve off to stop the fluid flow.
- Remove the cap from the strainer to clean it.



NOTES

NOTES



Steel Green Mfg.
824 S State Road 39
Lebanon, IN 46052
(765)-481-2890
www.steelgreenmfg.com

MANUAL PART NO.	MANUAL REV.	DESCRIPTION	KIT PART NO.
SGM-012	C	SG46-52 7 GALLON INDEPENDENT SPRAYER	P10030-1