

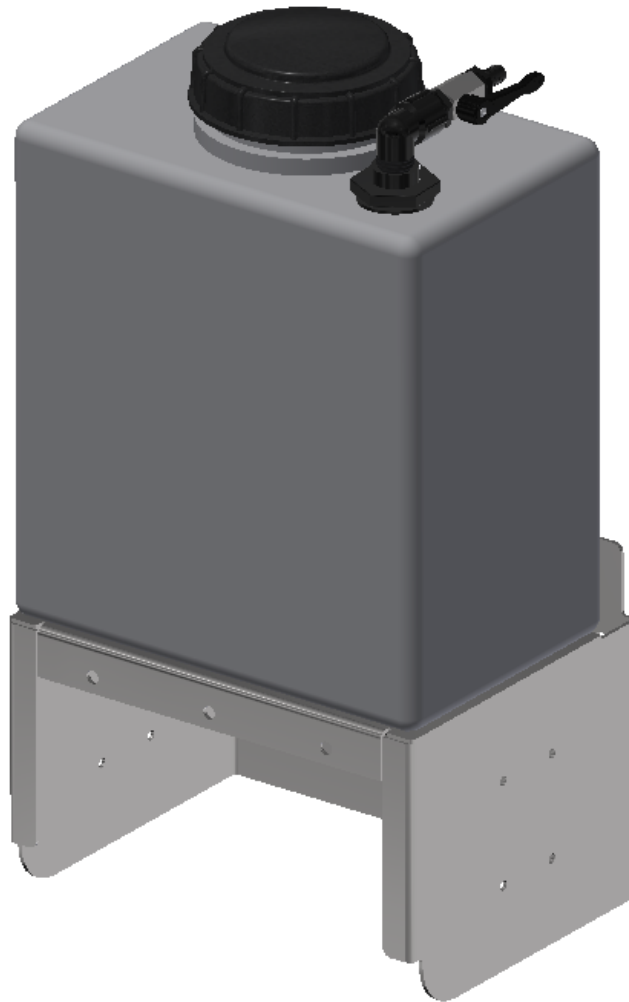
# STEELGREEN<sup>TM</sup>

## MANUFACTURING

### INSTRUCTION MANUAL

#### 7 GAL. SUPPLEMENTAL TANK ATTACHMENT

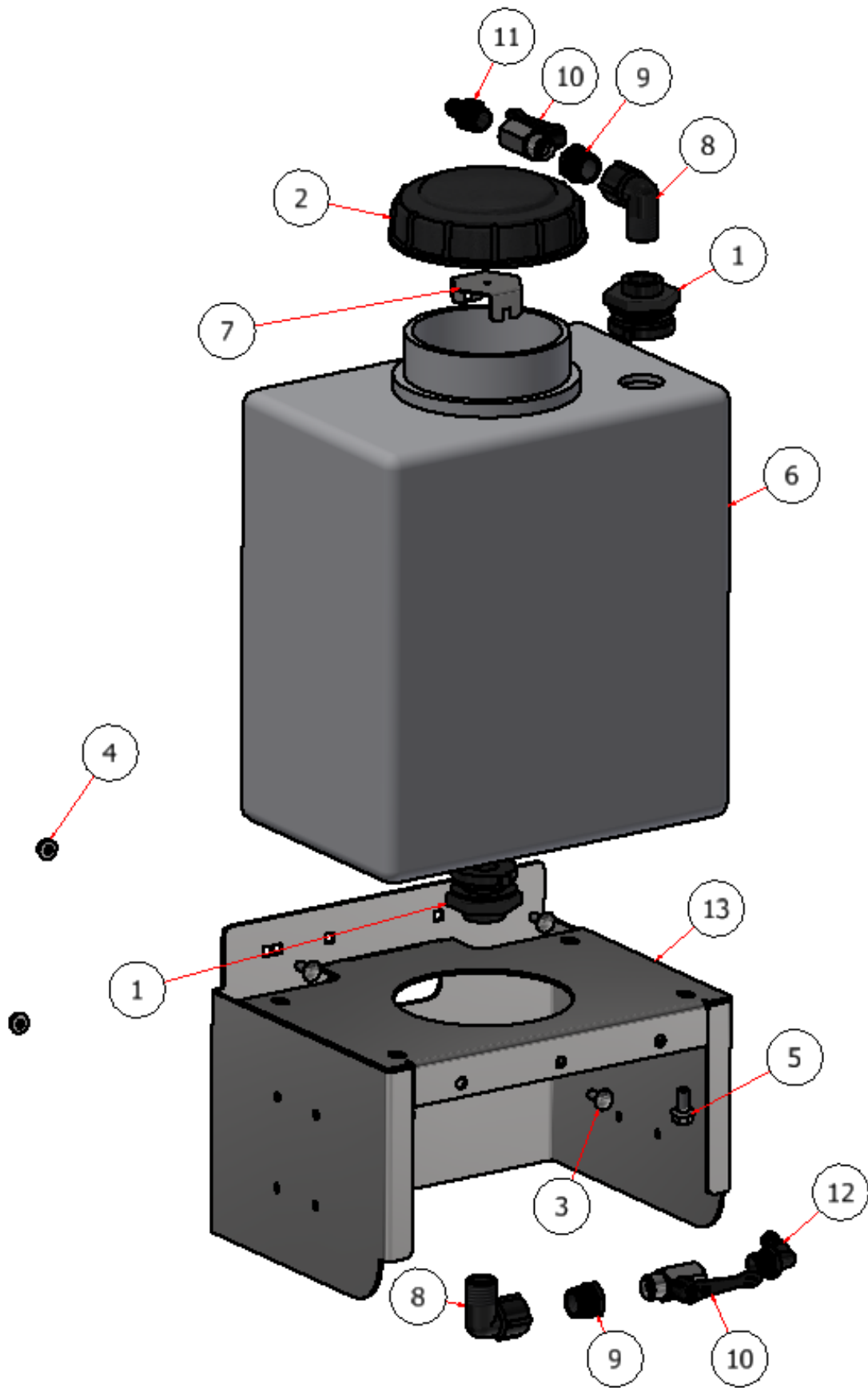
Models: SG46, & SG52



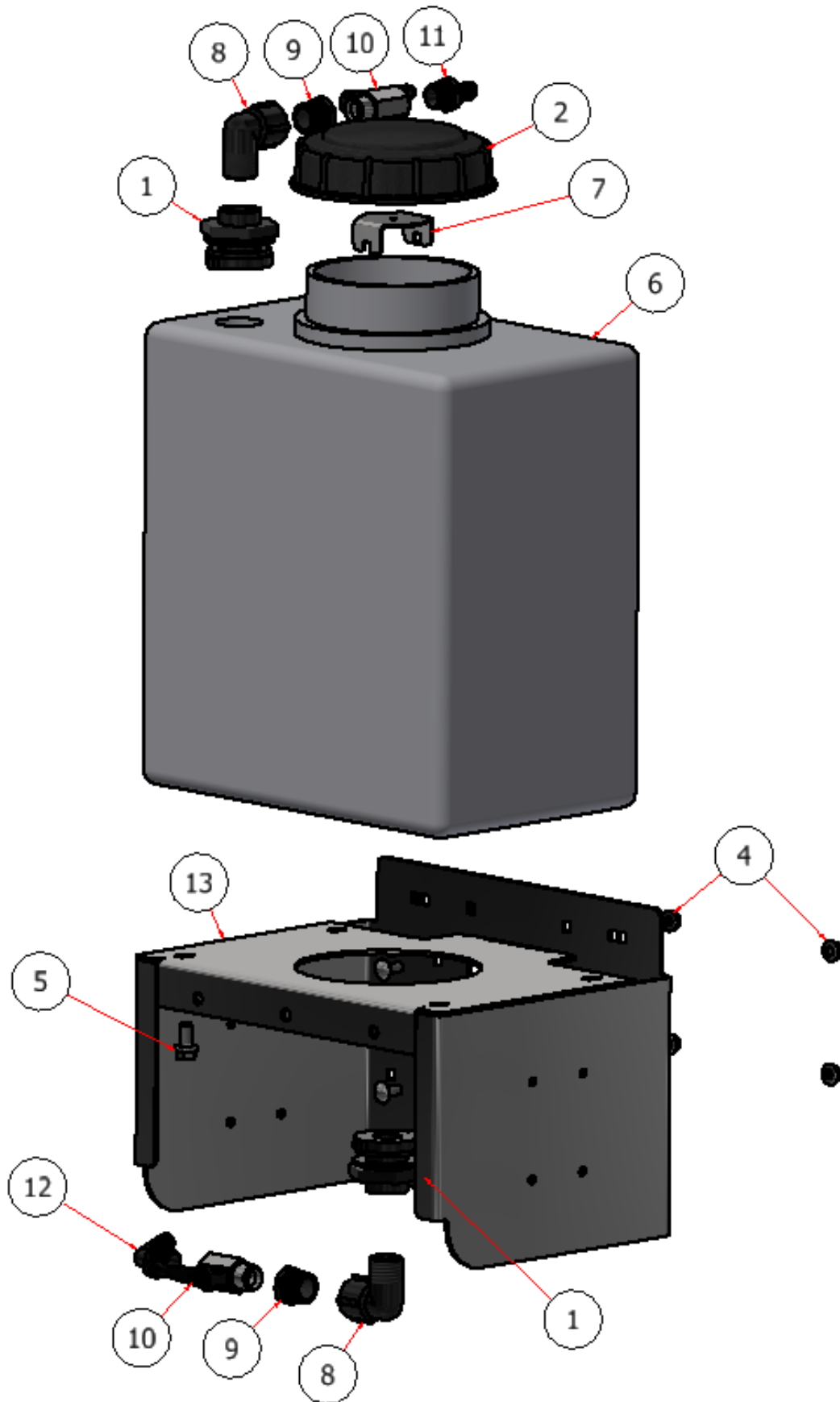
**7 GAL. SUPPLEMENTAL EXPLODED VIEW \ LEFT SIDE**

PARTS LIST			
ITEM	QTY	PART NUMBER	DESCRIPTION
1	2	S51242	BULKHEAD FITTING, TANK
2	1	S51243	CAP, TANK
3	4	CB-51634	CARRIAGE BOLT, SS - 5/16-18 x 3/4
4	4	HFNCS-516S	HEX FLANGE NUT, SS - 5/16-18
5	4	HFSSC-3875	HEX FLANGE BOLT, 3/8 X 3/4
6	1	M10007	TANK, 7 GALLON
7	1	R21-113	ANTI VORTEX PLATE
8	2	S52041	90 ELBOW, 3/4 MNPT X 3/4 FNPT
9	2	S52051	BUSHING, PIPE, 3/4 X 1/2
10	1	S52013	1/2 MNPT X 1/2 HOSE BARB
11	1	S52025	1/2 MPT X 1/2 BARB
12	1	W22-183	TANK SUPPORT, 7 GAL. SG46/52
13	2	S34DZ0	BALL VALVE, 1/2"

7 GAL. SUPPLEMENTAL EXPLODED VIEW \ LEFT SIDE



# 7 GAL. SUPPLEMENTAL EXPLODED VIEW \ RIGHT SIDE



## 7 GAL. SUPPLEMENTAL TANK ASSEMBLY INSTRUCTIONS

**STEP 1:** Disconnect the battery, *ground* first and then *power* wire.

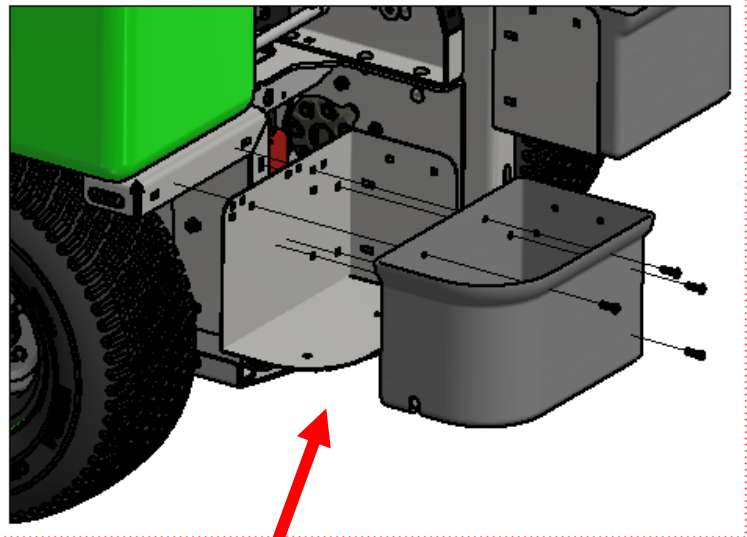


GROUND

POWER

**STEP 2:** Remove existing storage container and support bracket from the frame.

**NOTE:** *Instructions are the same for the right and left side.*

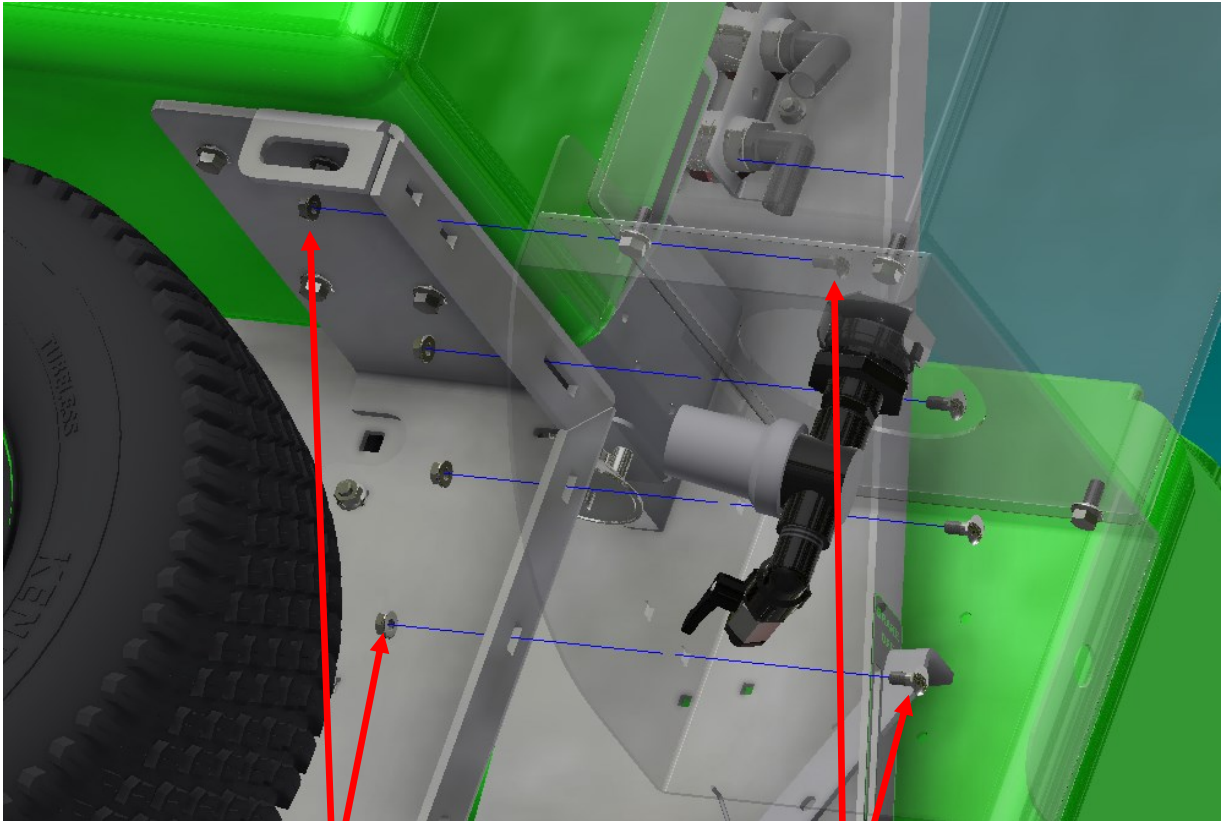


## 7 GAL. SUPPLEMENTAL TANK ASSEMBLY INSTRUCTIONS

**STEP 3:** Install the supplemental tank to the frame as shown.

**NOTE:**

- *Instructions are the same for the right and left side.*
- *Parts shown clear for clarity.*



Hex nuts HFNCS-516S qty. (4)

Carriage bolts CB-51634 qty. (4)

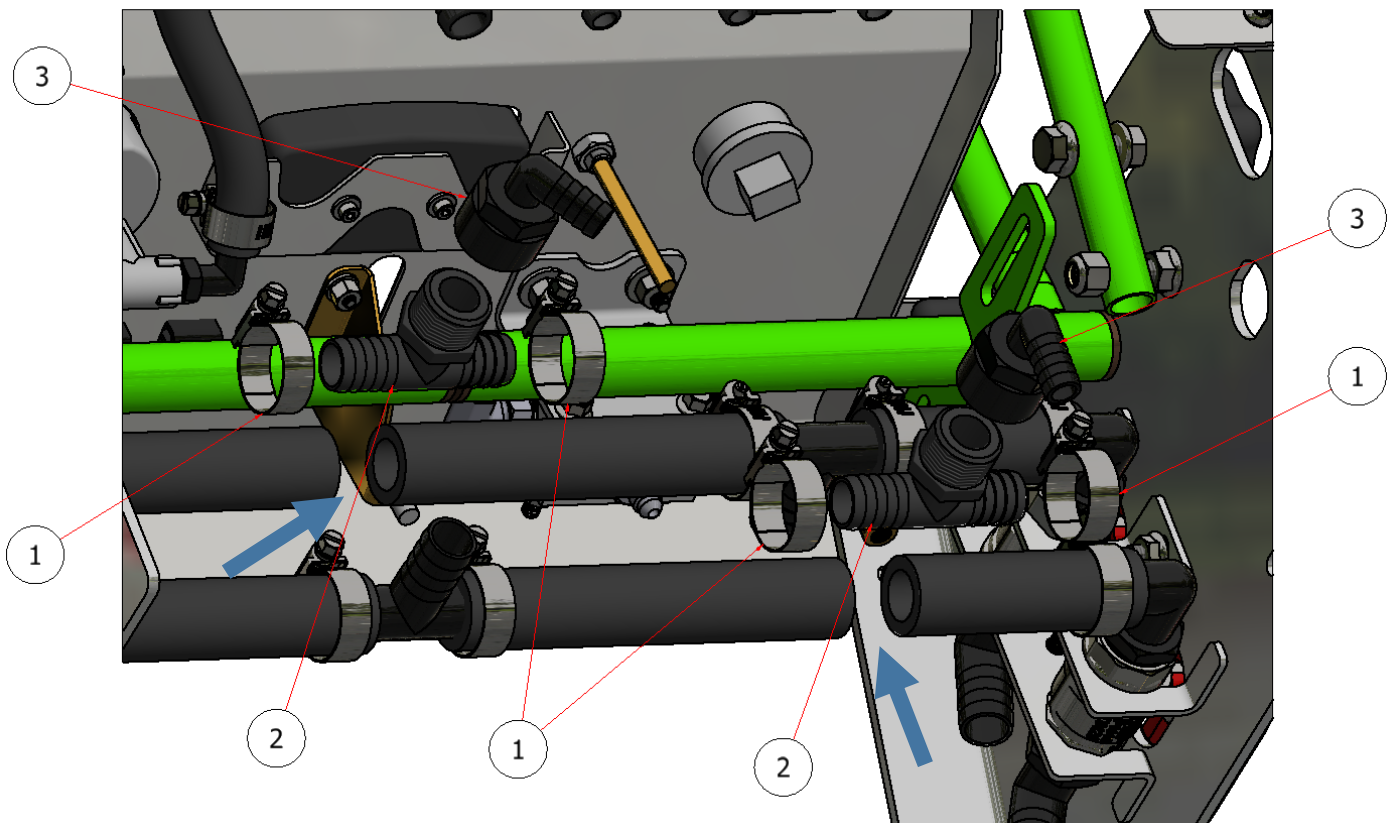
## 7 GAL. SUPPLEMENTAL TANK ASSEMBLY INSTRUCTIONS

### NOTE:

- Before beginning step four, BE SURE there is no pressure on the lines and fluid is drained.
- Parts removed for clarity.

### STEP 4:

- Carefully cut and install the “tee” fittings in the “suction” and “return” lines as shown (blue arrows). Securely fasten with 3/4 hose clamps.
- Next install the 90 degree elbows.



### PARTS LIST

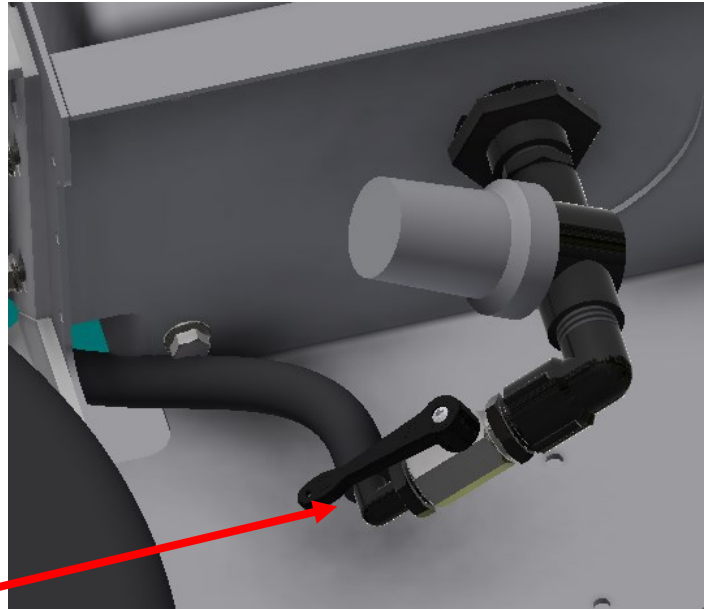
ITEM	QTY	PART NUMBER	DESCRIPTION
1	4	12HS	HOSE CLAMP, 3/4
2	2	S52009	TEE FITTING, 3/4 HOSE X 3/4 MNPT
3	2	S52035	3/4 FNPT X 1/2 HOSE BARB

## 7 GAL. SUPPLEMENTAL TANK ASSEMBLY INSTRUCTIONS

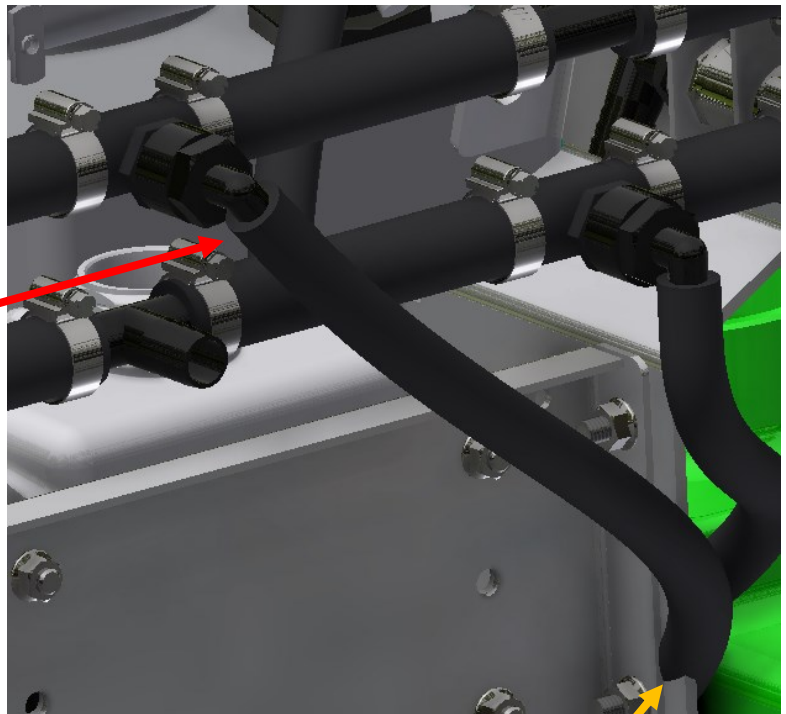
### STEP 5:

**NOTE:** Slide the protective wrap over the hose and secure it with zip ties before connecting.

- Measure and cut 1/2" hose and connect one end to the suction port on the bottom of the 7 gallon tank and the other end to the "tee" fitting in the suction line.
- Route the hose between the upright and the tank.
- Securely fasten each end with 1/2" hose clamp.



A



A

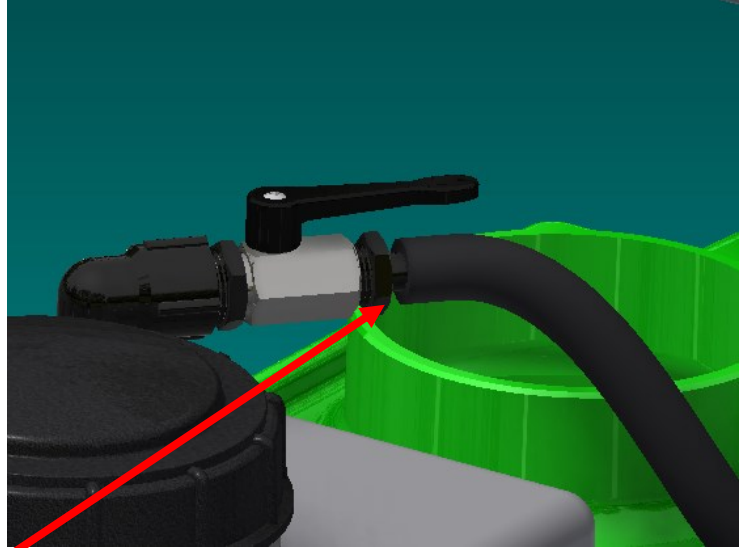


## 7 GAL. SUPPLEMENTAL TANK ASSEMBLY INSTRUCTIONS

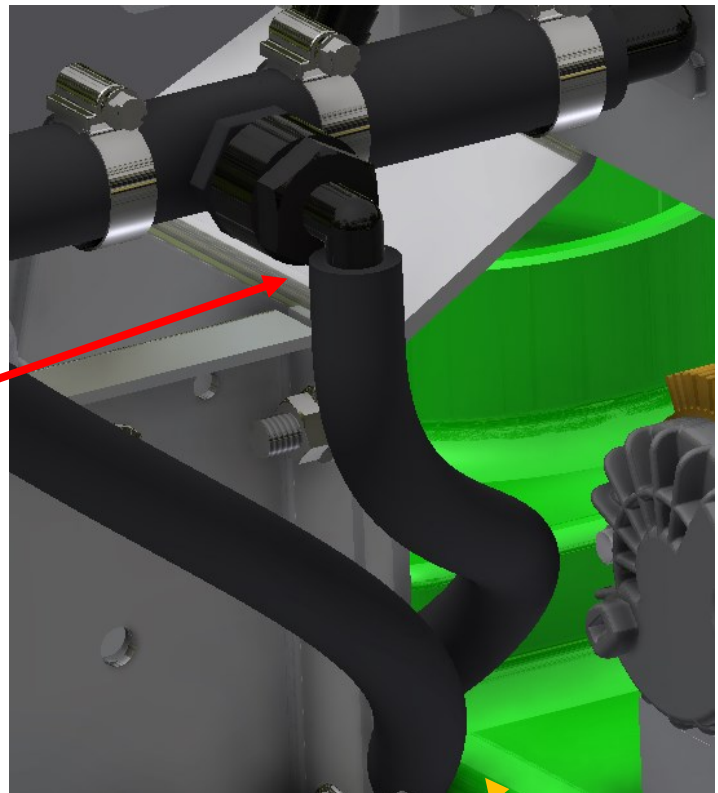
### STEP 6:

**NOTE:** Slide the protective wrap over the hose and secure it with zip ties before connecting.

- Measure and cut 1/2" hose, connecting one end to the return port on the top of the 7 gallon tank and the other end to the "tee" fitting in the return line.
- Route the hose between the upright and the tank.
- Securely fasten each end with 1/2" hose clamps.



**B**



**B**

## 7 GAL. SUPPLEMENTAL TANK ASSEMBLY INSTRUCTIONS

**STEP 7:** Reconnect the battery *power wire* first along with the *pump power wire* from the wiring harness, and then reconnect the *ground wire*.



GROUND

POWER



Steel Green Mfg.  
824 S State Road 39  
Lebanon, IN 46052  
(765)-481-2890  
[www.steelgreenmfg.com](http://www.steelgreenmfg.com)

MANUAL PART NO.	MANUAL REV.	DESCRIPTION	KIT PART NO.
SGM-011	C	SG46-52 7 GALLON SUPPLIMENTAL TANK	P10032