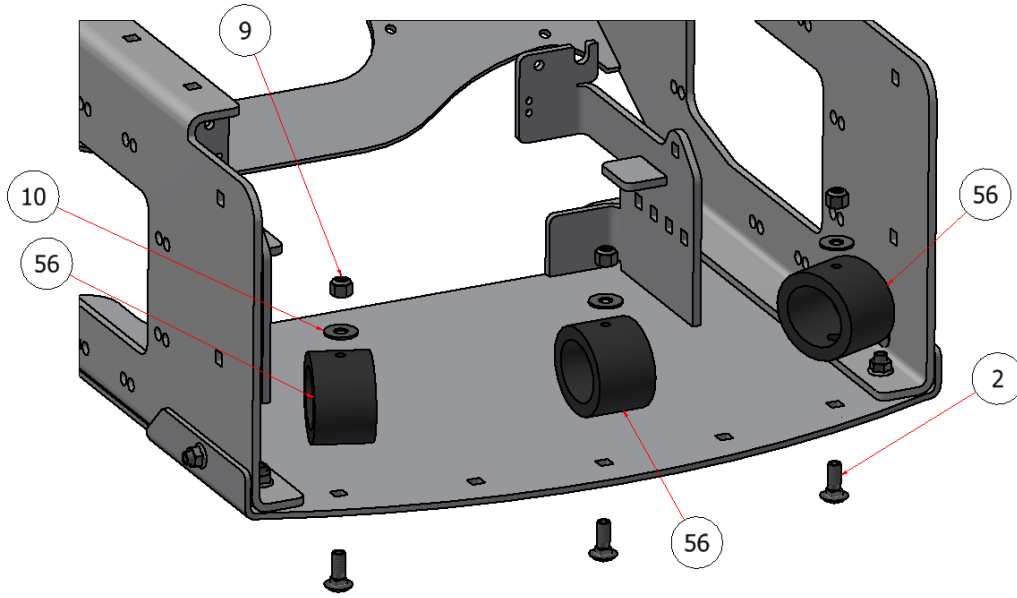
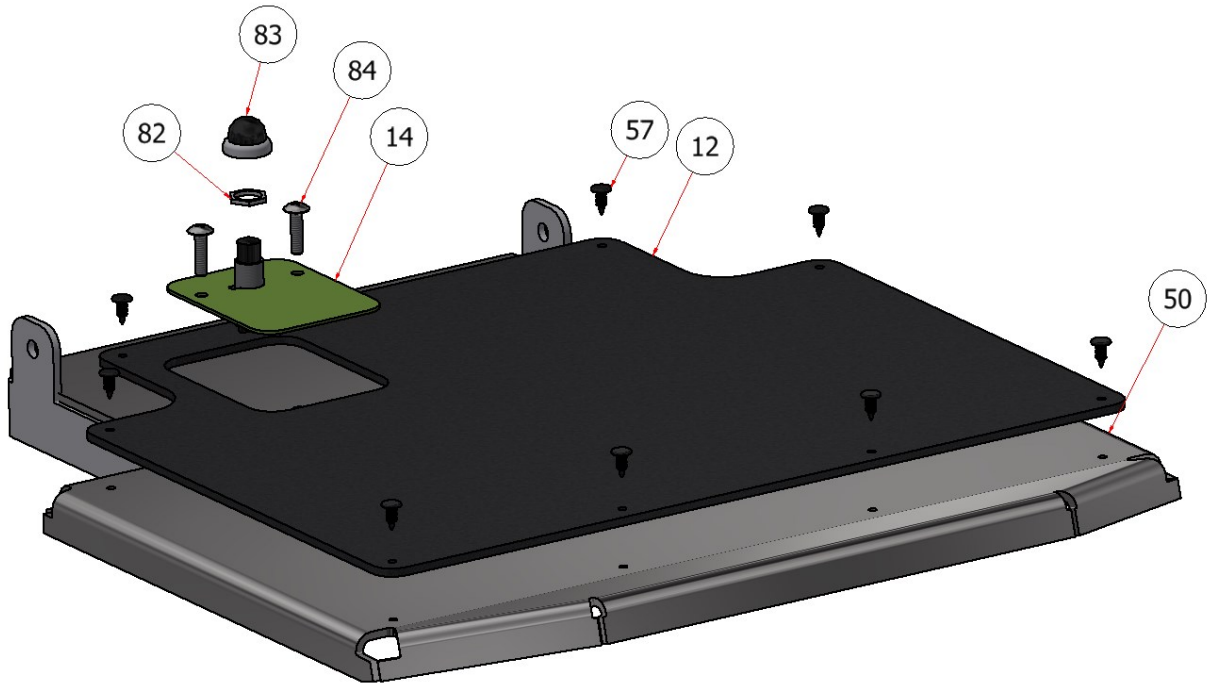


FOOT BOARD SG54 ASSEMBLY



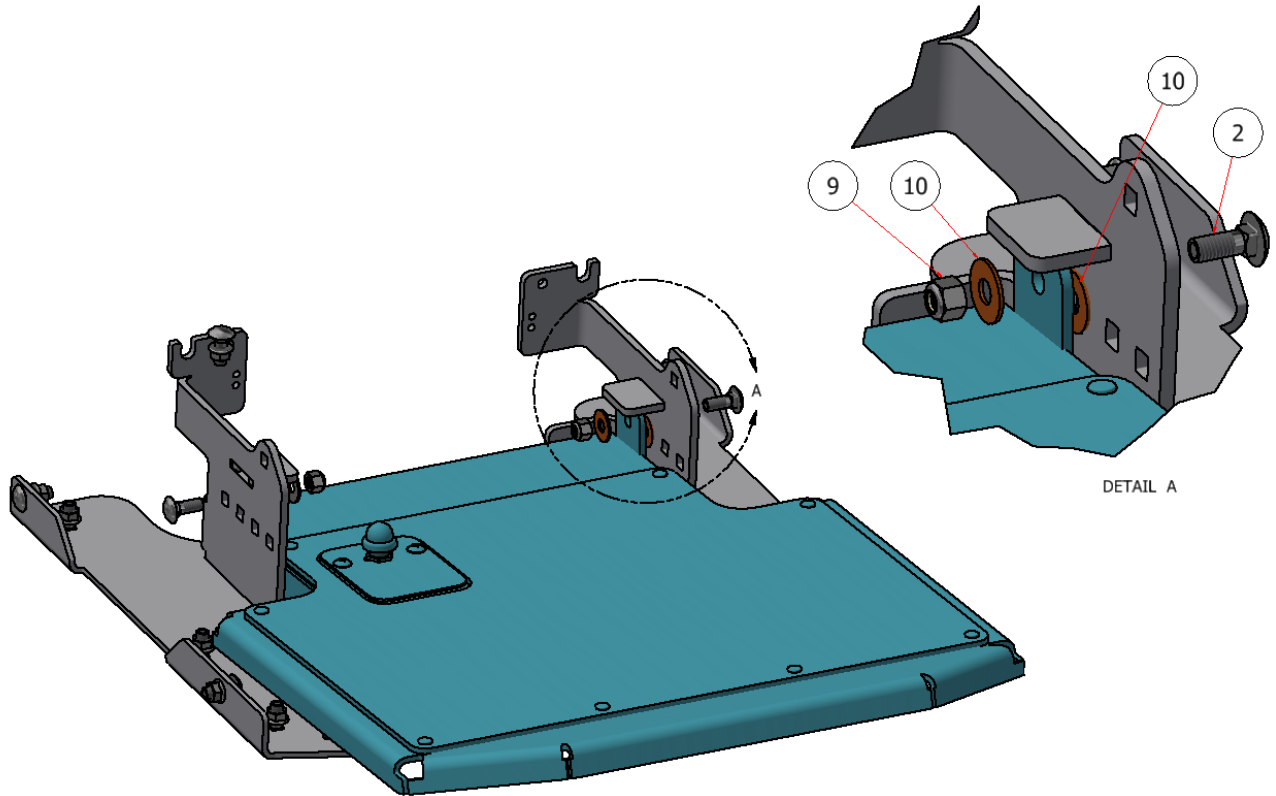
PARTS LIST			
ITEM	QTY	PART NUMBER	DESCRIPTION
2	24	CB-381SS	CARRIAGE BOLT, SS - 3/8-16 x 1
9	7	SSNNC-38	NYLOCK, SS - 3/8-16
10	11	FWSS-38	FLAT WASHER, SS - 3/8
56	3	C60366	CUSHION, FOOT BOARD

FOOT BOARD SG54 ASSEMBLY



PARTS LIST			
ITEM	QTY	PART NUMBER	DESCRIPTION
12	1	C60390	PAD, FOOT BOARD
14	1	R21-024	PLATE, FOOT SWITCH
50	1	W21-371	FOOT BOARD
82	1	E40204 NUT	FOOT SWITCH
83	1	E40204 CAP	FOOT SWITCH
84	4	TRPC-141S	PHILLIPS SCREW, SS - 1/4-20 x 1

FOOT BOARD SG54 ASSEMBLY



PARTS LIST			
ITEM	QTY	PART NUMBER	DESCRIPTION
2	24	CB-381SS	CARRIAGE BOLT, SS - 3/8-16 x 1
9	7	SSNNC-38	NYLOCK, SS - 3/8-16
10	11	FWSS-38	FLAT WASHER, SS - 3/8

EXPLODED VIEW		
PART NO.	REV.	DESCRIPTION
SG54EV-022	A	FOOT BOARD SG54 ASSEMBLY