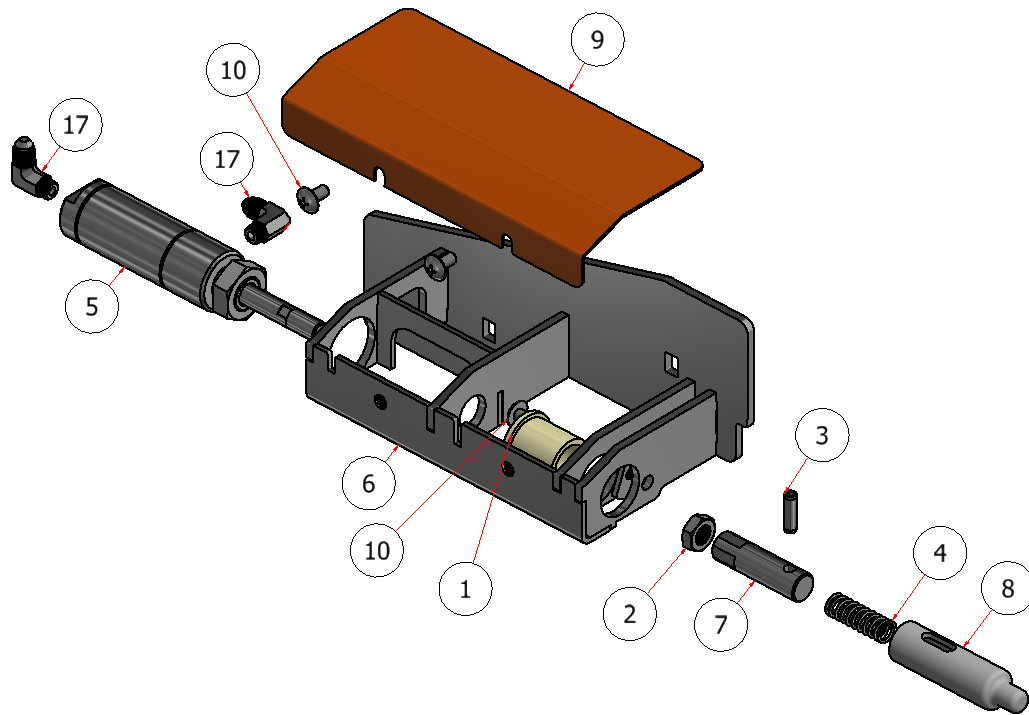


**HAS CYLINDERS SG54 ASSEMBLY**

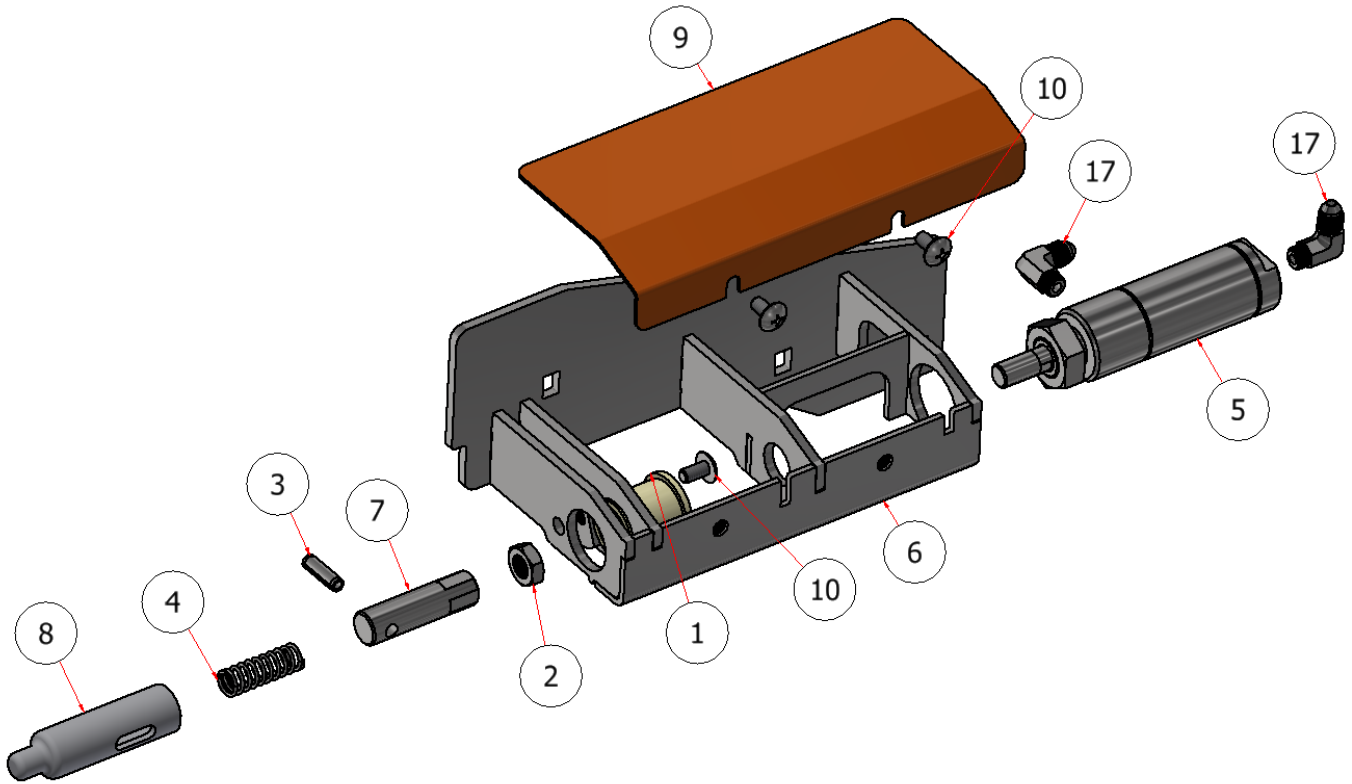
**RIGHT**



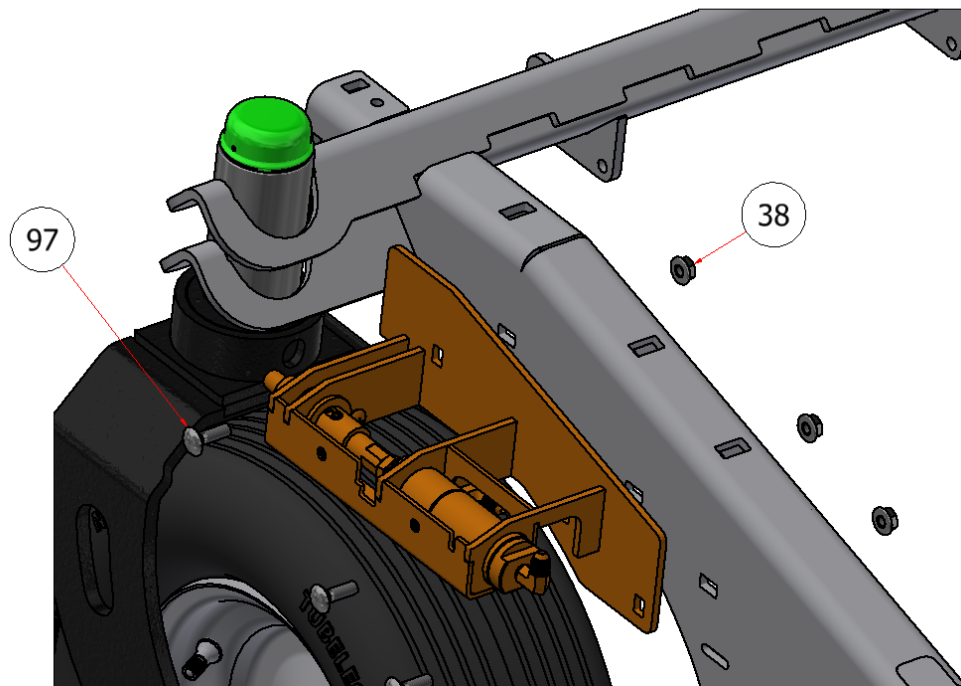
ITEM	QTY	PART NUMBER	DESCRIPTION
1	2	6389K557	7/8" NYLON SLEEVE, BEARING, STRAIGHT STEER
2	2	91847A515	7/16-20 JAM NUT, STRAIGHT STEER
3	2	92373A367	1/4" X 7/8" SS ROLL PIN, STRAIGHT STEER
4	2	965K352	1.5" X .50D COMPRESSION SPRING, STRAIGHT STEER
5	2	H80601	CYLINDER, CASTER LOCK
6	1	W22-141-R	BRACKET, MOUNTING, HILL SIDE ASSIST, RIGHT
	1	W22-141-L	BRACKET, MOUNTING, HILL SIDE ASSIST, LEFT
7	2	R31029	PLUNGER, HILL SIDE ASSIST
8	2	R31027	PLUNGER, FORWARD, HILL SIDE ASSIST
9	1	R22-146	SHIELD, SAFETY, HILL SIDE ASSIST, RIGHT
	1	R22-146-L	SHIELD, SAFETY, HILL SIDE ASSIST, LEFT
10	3	TRPC-141S	SCREW, PHILLIPS, SS-1/4-20 X 1
17	4	50715K181	TYPE 316 SS 37 DEGREE FLARED TUBE FITTING

**HAS CYLINDERS SG54 ASSEMBLY**

**LEFT**



ITEM	QTY	PART NUMBER	DESCRIPTION
1	2	6389K557	7/8" NYLON SLEEVE, BEARING, STRAIGHT STEER
2	2	91847A515	7/16-20 JAM NUT, STRAIGHT STEER
3	2	92373A367	1/4" X 7/8" SS ROLL PIN, STRAIGHT STEER
4	2	965K352	1.5" X .50D COMPRESSION SPRING, STRAIGHT STEER
5	2	H80601	CYLINDER, CASTER LOCK
6	1	W22-141-R	BRACKET, MOUNTING, HILL SIDE ASSIST, RIGHT
	1	W22-141-L	BRACKET, MOUNTING, HILL SIDE ASSIST, LEFT
7	2	R31029	PLUNGER, HILL SIDE ASSIST
8	2	R31027	PLUNGER, FORWARD, HILL SIDE ASSIST
9	1	R22-146	SHIELD, SAFETY, HILL SIDE ASSIST, RIGHT
	1	R22-146-L	SHIELD, SAFETY, HILL SIDE ASSIST, LEFT
10	3	TRPC-141S	SCREW, PHILLIPS, SS-1/4-20 X 1
17	4	50715K181	TYPE 316 SS 37 DEGREE FLARED TUBE FITTING



PARTS LIST			
ITEM	QTY	PART NUMBER	DESCRIPTION
38	10	HFNCS-516S	HEX FLANGE NUT, SS - 5/16
97	6	CB-5161SS	CARRIAGE BOLT, SS - 5/16-18 x 1

EXPLODED VIEW		
PART NO.	REV.	DESCRIPTION
SG54EV-017	A	HSA CYLINDERS SG54 ASSEMBLY