

# STEELGREEN<sup>TM</sup>

## M A N U F A C T U R I N G

### INSTRUCTION MANUAL

#### HYDRAULIC OIL CHANGE

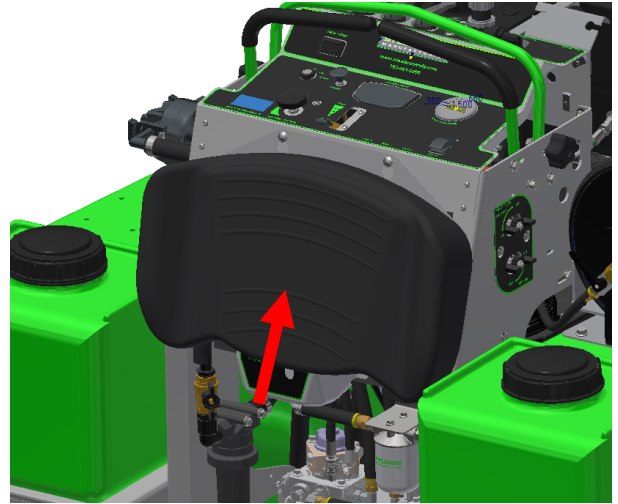
**Models:** SG36, SG42, SG46, & SG52



# HYDRAULIC OIL CHANGE INSTRUCTIONS

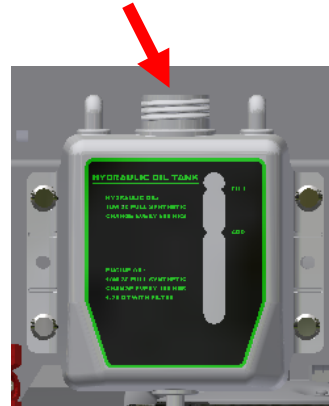
Change hydraulic oil and filter every 500 hours with Synthetic Plus Engine Oil 10W-30. API service classification SN plus, Resource conserving; ILSAC GF-5.

**STEP 1:** Remove the knee pad to access the hydraulic oil reservoir.

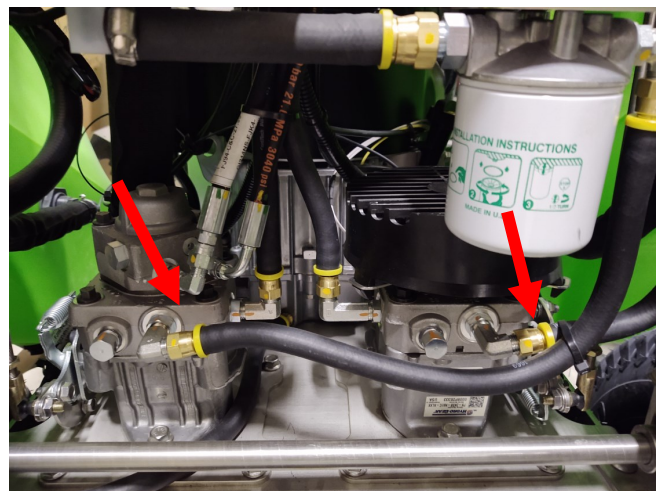
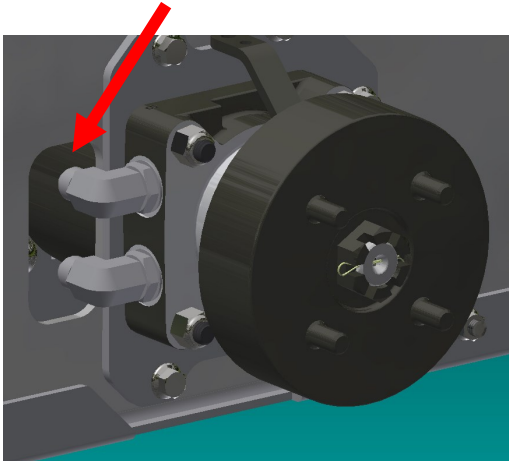


**STEP 2:**

- Loosen and remove the cap from the hydraulic oil reservoir.
- Disconnect the rear hoses from the hydraulic pumps, place the hoses over a proper container draining the hydraulic oil.
- Once the oil has been drained, reconnect the hoses to the pumps.

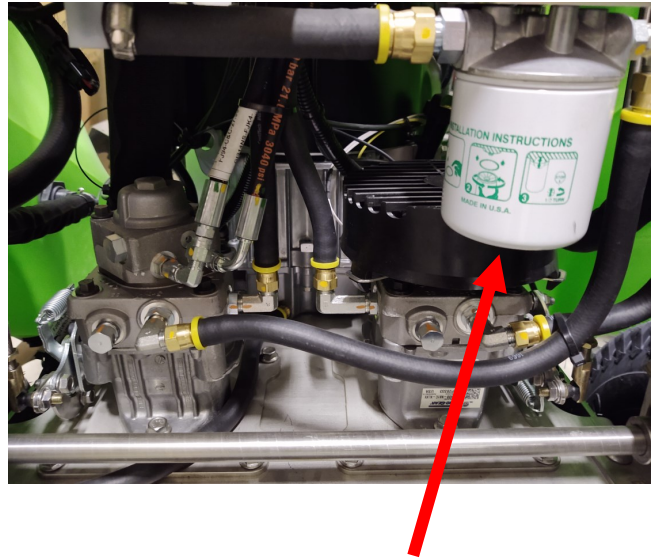


**NOTE:** To drain the most oil out as possible, you can also remove the rear tires and disconnect the hoses from the wheel motors to drain the oil at the lowest point.



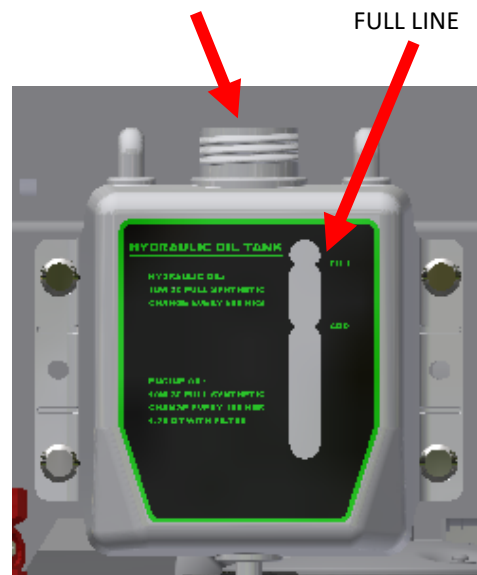
## HYDRAULIC OIL CHANGE INSTRUCTIONS

**STEP 3:** Remove and replace the hydraulic oil filter.



**STEP 4:**

- Refill the hydraulic oil to the full line. with 5w50 full synthetic.
- Jack up the rear of the machine so the rear tires are off of the ground.
- Start and run the machine in forward and reverse to cycle the hydraulic oil back through the system, *you will see the oil level drop in the reservoir.*
- Once the oil level has dropped, refill the reservoir to the full line and reinstall the cap.





Steel Green Mfg.  
824 S State Road 39  
Lebanon, IN 46052  
(765)-481-2890  
[www.steelgreenmfg.com](http://www.steelgreenmfg.com)

MANUAL PART NO.	MANUAL REV.	DESCRIPTION
SGM-027	C	SG HYDRAULIC OIL CHANGE