

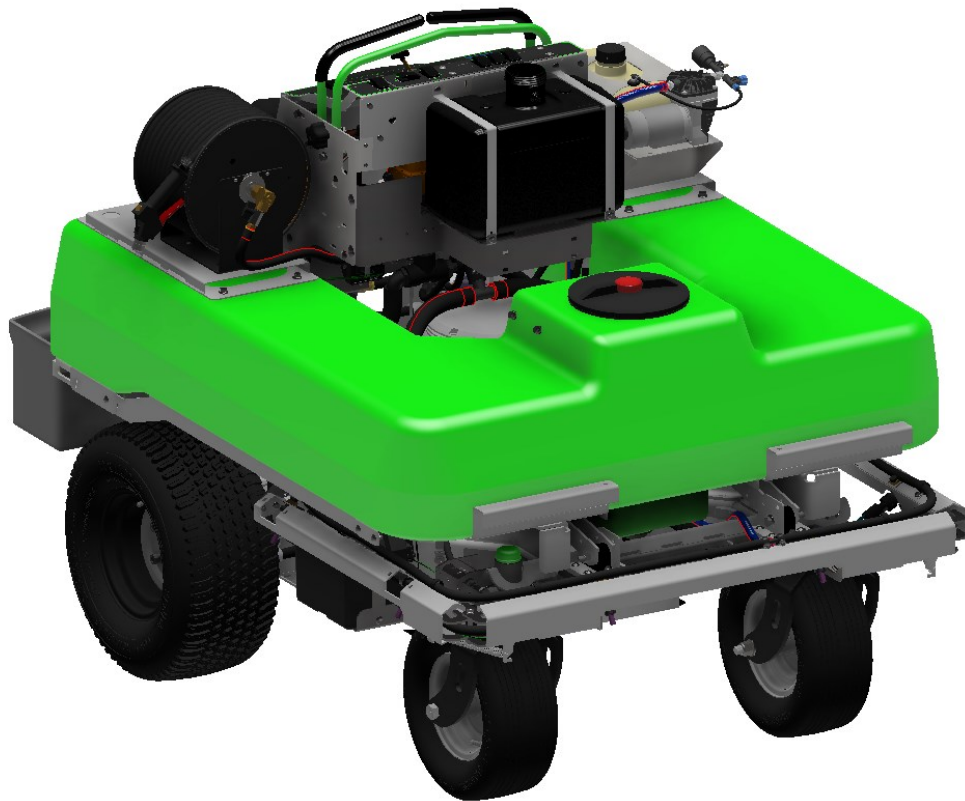
# STEELGREEN<sup>™</sup>

M A N U F A C T U R I N G

## INSTRUCTION MANUAL

### HYDRAULIC SYSTEM UPDATE

Models: SG54



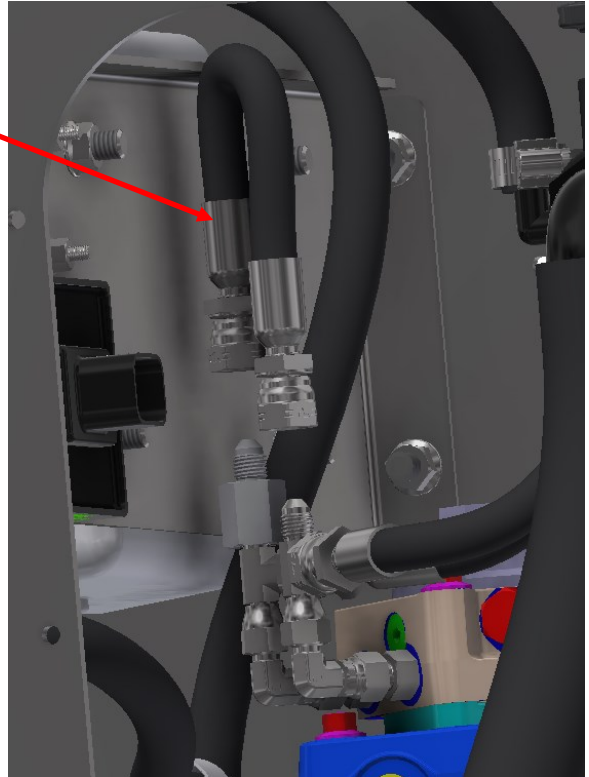
## SG54 HYDRAULIC SYSTEM UPDATE INSTRUCTIONS

**STEP 1:** Drain the hydraulic oil from the machine.

**NOTE:** Refer to the hydraulic oil change manual.

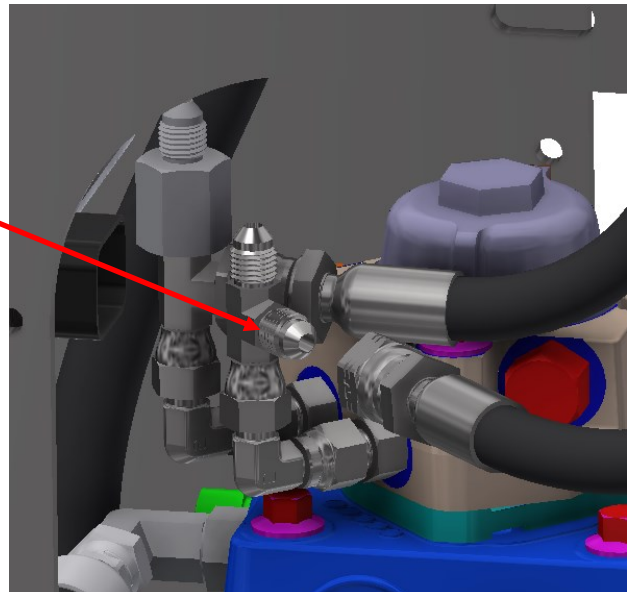
**STEP 2:**

- Remove the loop hose on the hydraulic pump.



- Disconnect the supply hose from the hydraulic pump.

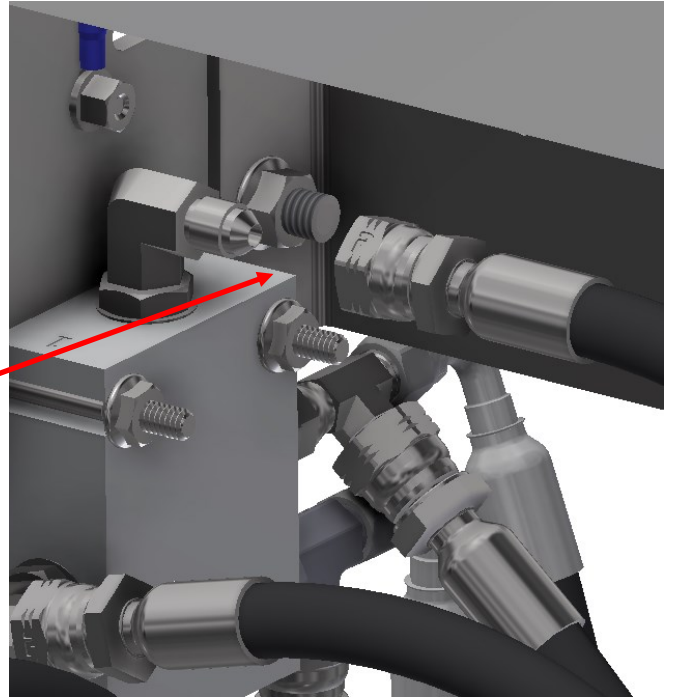
**A**



## SG54 HYDRAULIC SYSTEM UPDATE INSTRUCTIONS

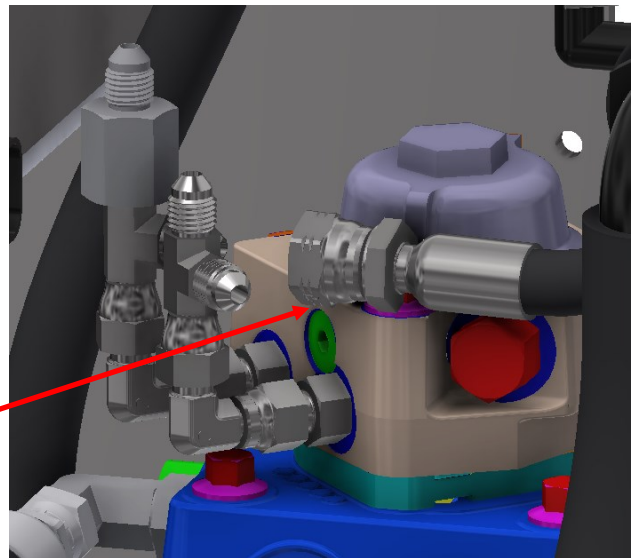
- Disconnect the other end at the hsa valve & remove the hose.

**A**



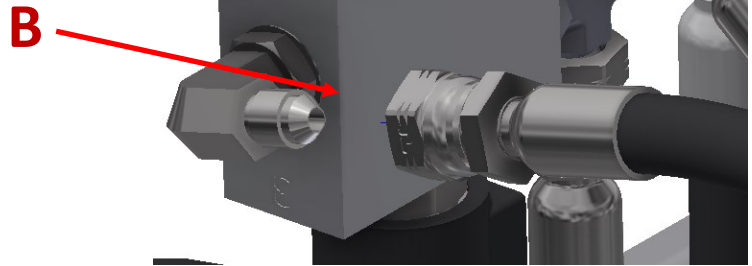
- Disconnect the return hos from the hydraulic pump.

**B**



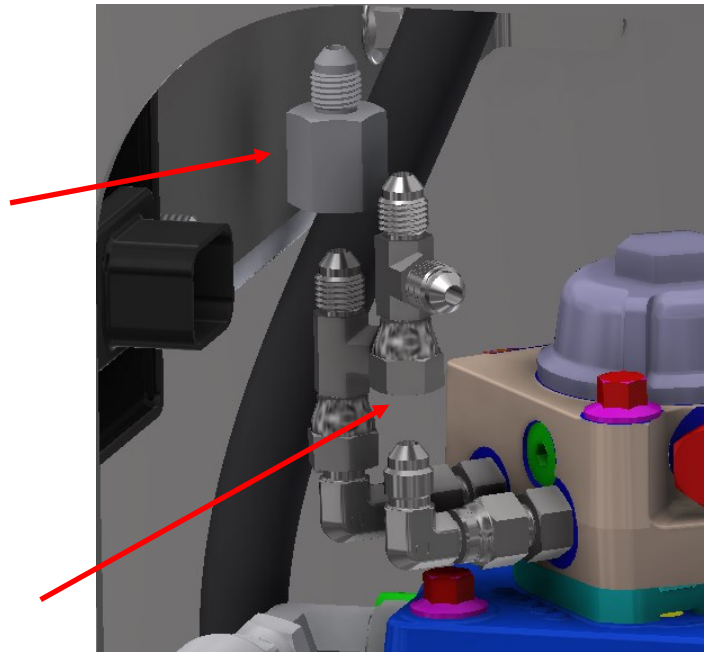
## SG54 HYDRAULIC SYSTEM UPDATE INSTRUCTIONS

- Disconnect the other end at the hsa valve & remove the hose.

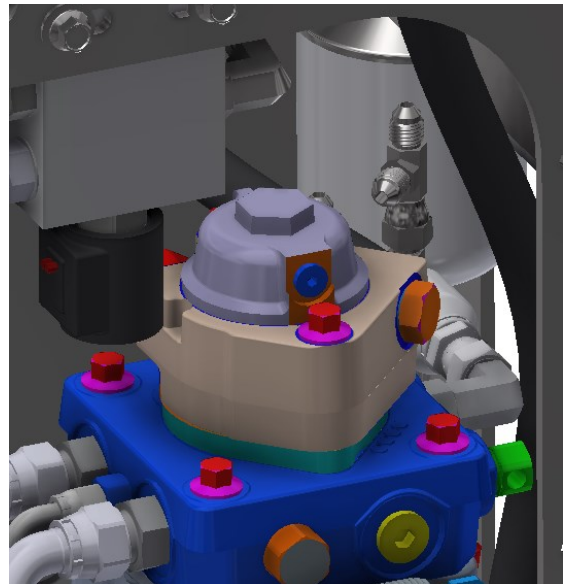


### STEP 3:

- Remove the flow restrictor from the return side & the tee fitting from the supply side.

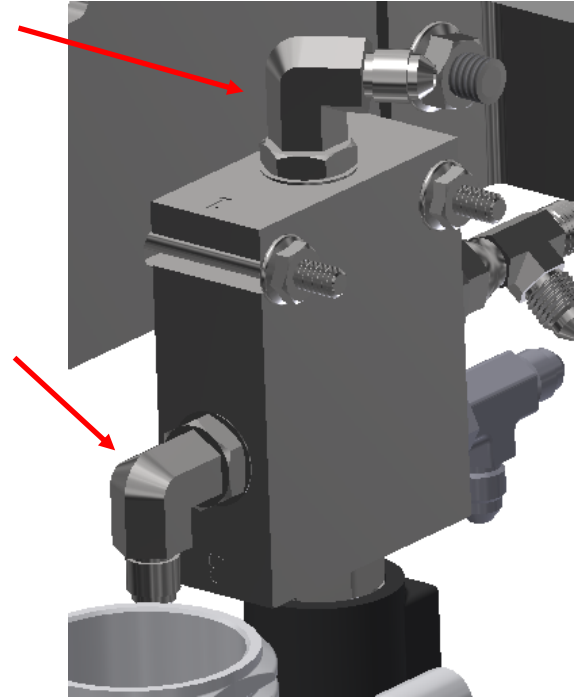


- Loosen & rotate the return tee fitting so it faces the left side panel.
- Retighten the fitting.



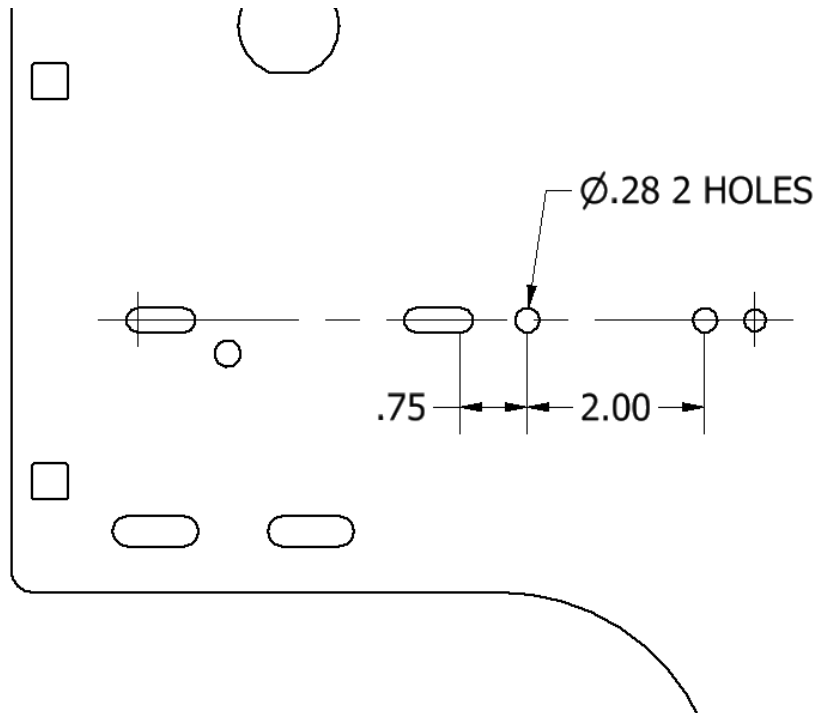
## SG54 HYDRAULIC SYSTEM UPDATE INSTRUCTIONS

- Loosen & reposition the elbow fittings as shown. Angle the supply fitting towards the front of the machine & face the return elbow straight down.



### STEP 4:

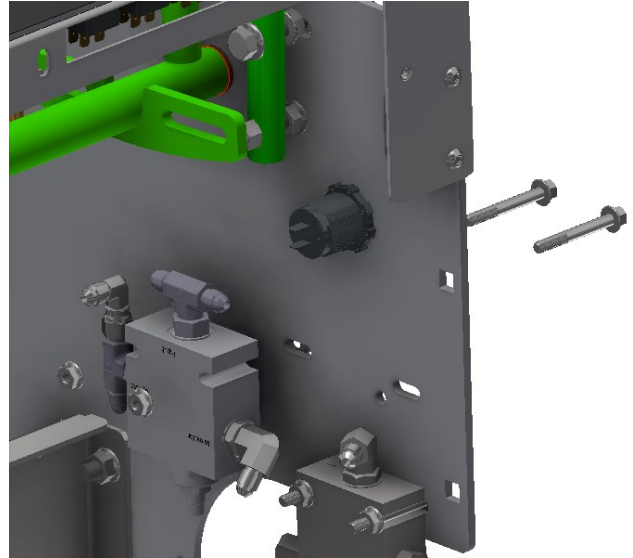
- Drill (2) holes in the *left side panel*.



## SG54 HYDRAULIC SYSTEM UPDATE INSTRUCTIONS

- Attach the hopper control valve to the panel.

**NOTE:** *The fittings on the valve are shipped loose to allow for easier hose attachment. BE SURE to tighten all the fittings once hoses are connected.*



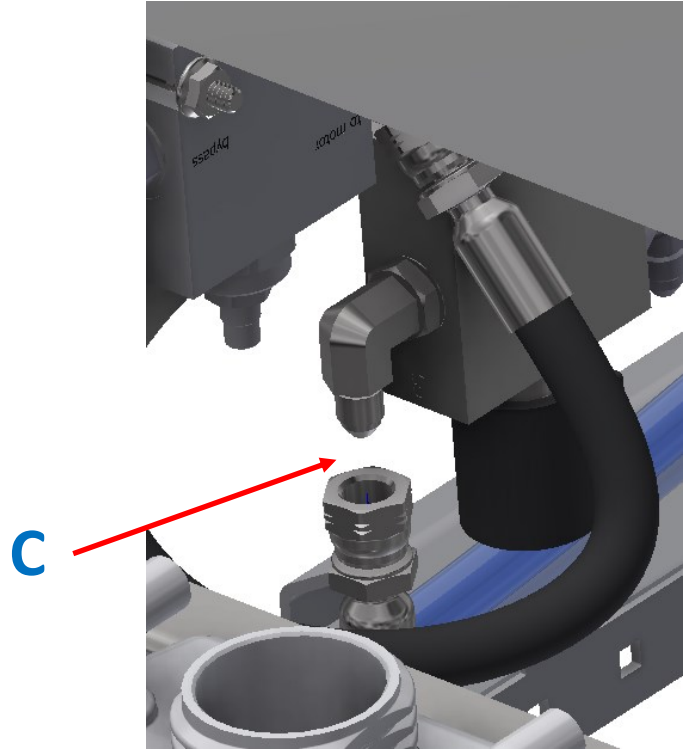
### STEP 5:

- Connect (1) of the 1/4" x 10-1/2" hoses with to the hopper control valve (loop).

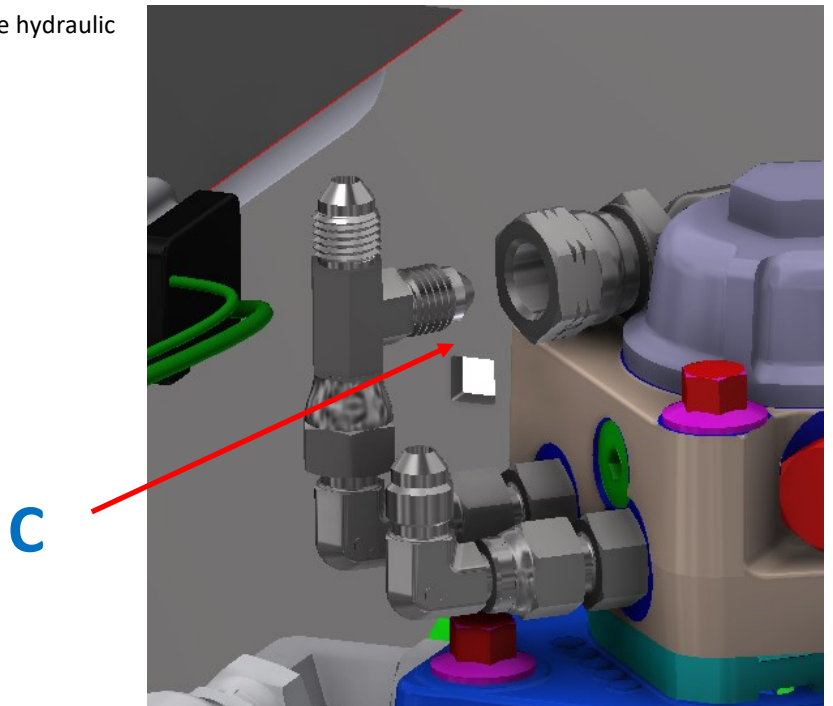


## SG54 HYDRAULIC SYSTEM UPDATE INSTRUCTIONS

- Connect one end of the other 1/4" x 10-1/2" hose to the return on the hsa valve.



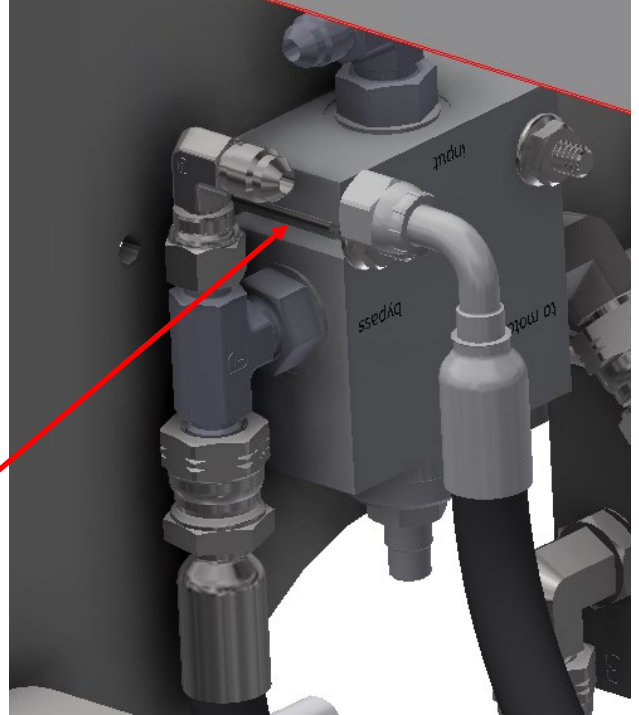
- Connect the other end to the tee fitting on the hydraulic pump.



## SG54 HYDRAULIC SYSTEM UPDATE INSTRUCTIONS

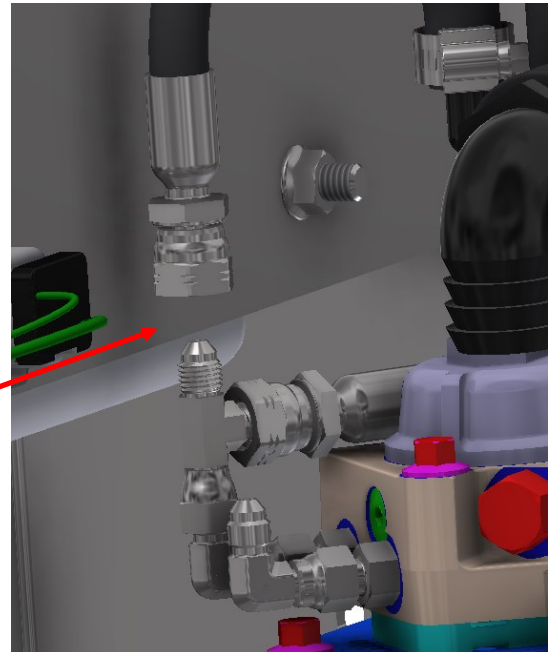
- Connect the elbow end of the 1/4" x 13" hose with to the return tee fitting on the hopper control valve.

D



- Connect the other end to the tee fitting on the hydraulic pump.

D

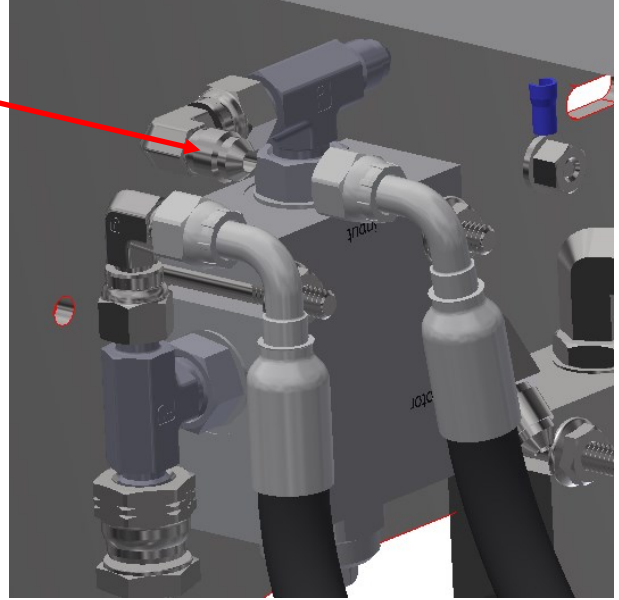




## SG54 HYDRAULIC SYSTEM UPDATE INSTRUCTIONS

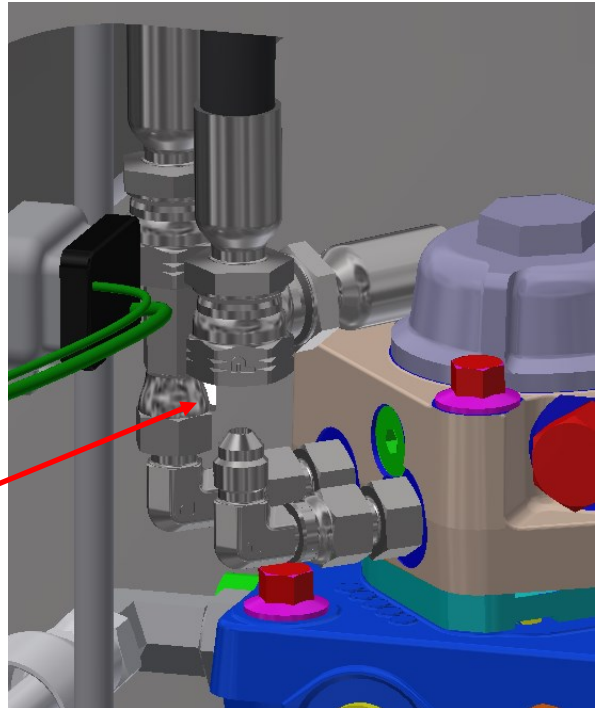
- Connect the elbow end of the 1/4" x 14-1/2" hose to the supply tee fitting on the hopper control valve.

E



- Connect the other end to the elbow fitting on the hydraulic pump.

E

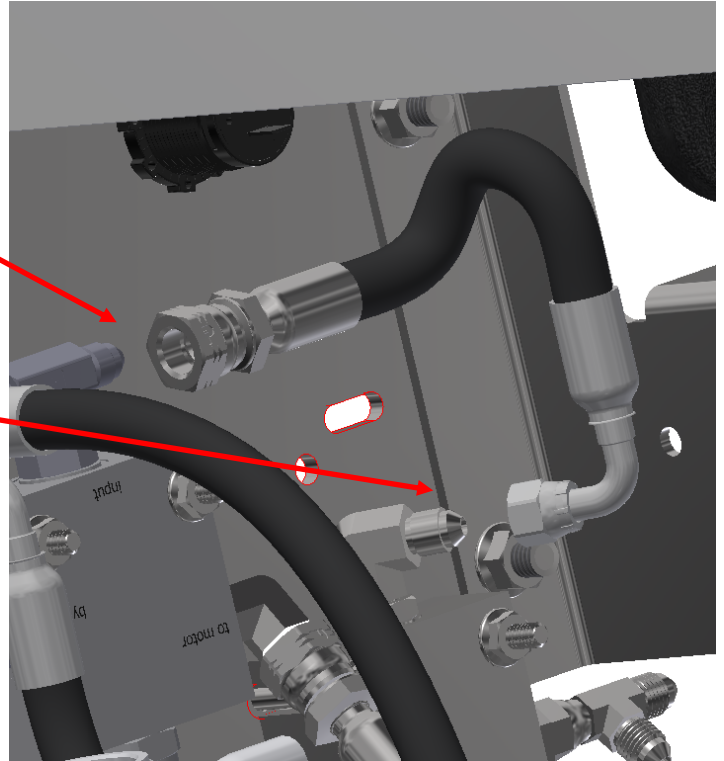


## SG54 HYDRAULIC SYSTEM UPDATE INSTRUCTIONS

- Connect the straight end of the 1/4" x 7-1/4" hose to the hopper control valve & the elbow end to the hsa valve

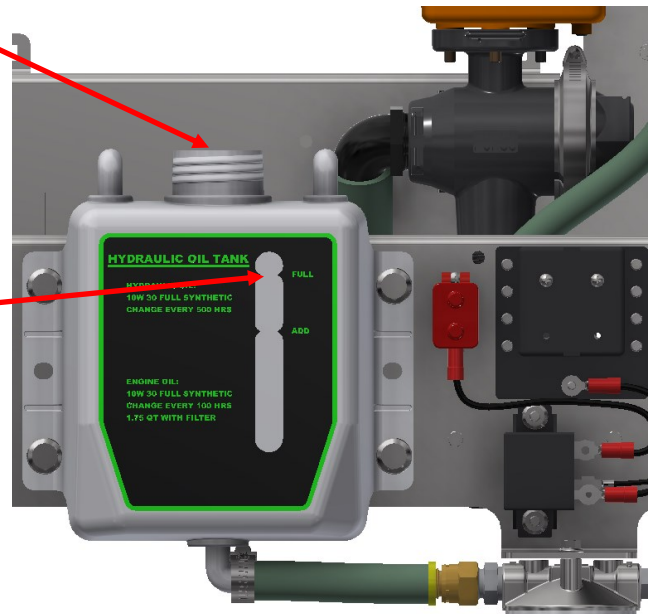
HOPPER CONTROL VALVE

HSA VALVE



### STEP 6:

- Refill the hydraulic oil to the full line. with 10w30 full synthetic.
- Jack up the rear of the machine so the rear tires are off of the ground.
- Start and run the machine in forward and reverse to cycle the hydraulic oil back through the system, *the oil level will drop in the reservoir.*
- Once the oil level has dropped, refill the reservoir to the full line and reinstall the cap.



## NOTES



Steel Green Mfg.  
824 S State Road 39  
Lebanon, IN 46052  
(756)-481-2890  
[www.steelgreenmfg.com](http://www.steelgreenmfg.com)

MANUAL PART NO.	MANUAL REV.	DESCRIPTION
SGM-043	A	SG54 HYDRAULIC SYSTEM UPDATE