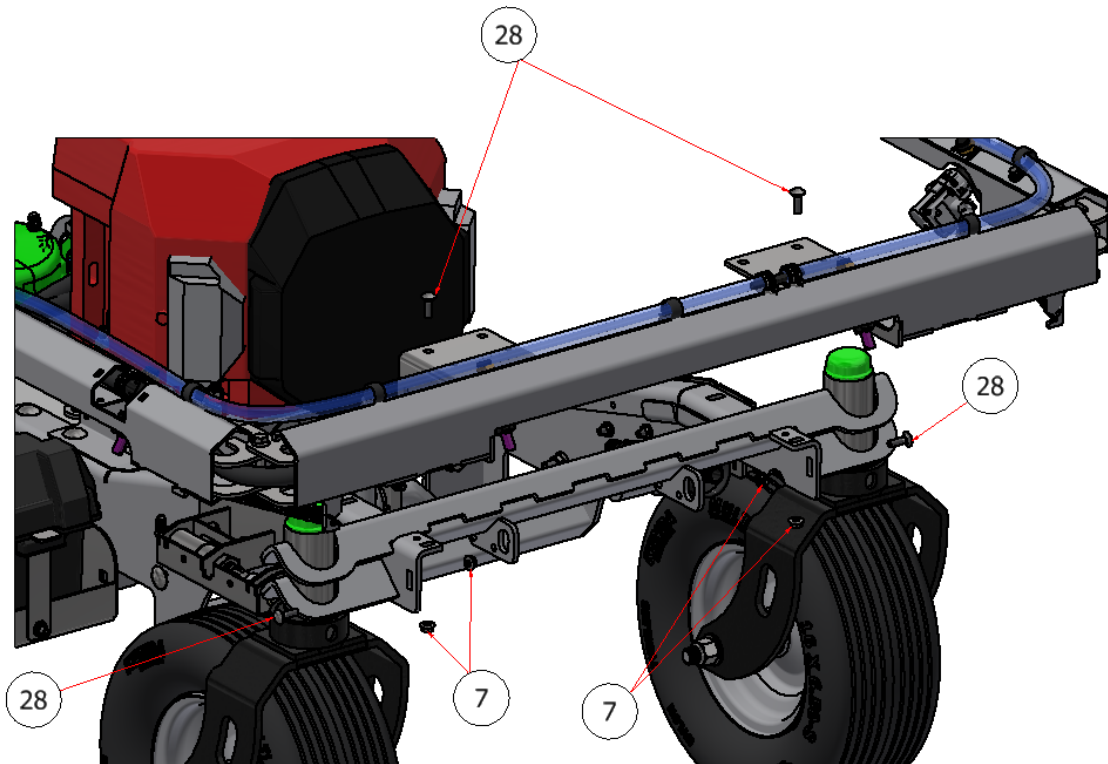


SPRAY BOOM INSTALL SG54 ASSEMBLY



| PARTS LIST | | | |
|------------|-----|-------------|---------------------------------|
| ITEM | QTY | PART NUMBER | DESCRIPTION |
| 7 | 6 | HFNCS-516S | HEX FLANGE NUT, SS - 5/16 |
| 28 | 4 | CB-5161SS | CARRIAGE BOLT, SS - 5/16-18 x 1 |

| EXPLODED VIEW | | |
|---------------|------|----------------------------------|
| PART NO. | REV. | DESCRIPTION |
| SG54EV-029 | A | SPRAY BOOM INSTALL SG54 ASSEMBLY |