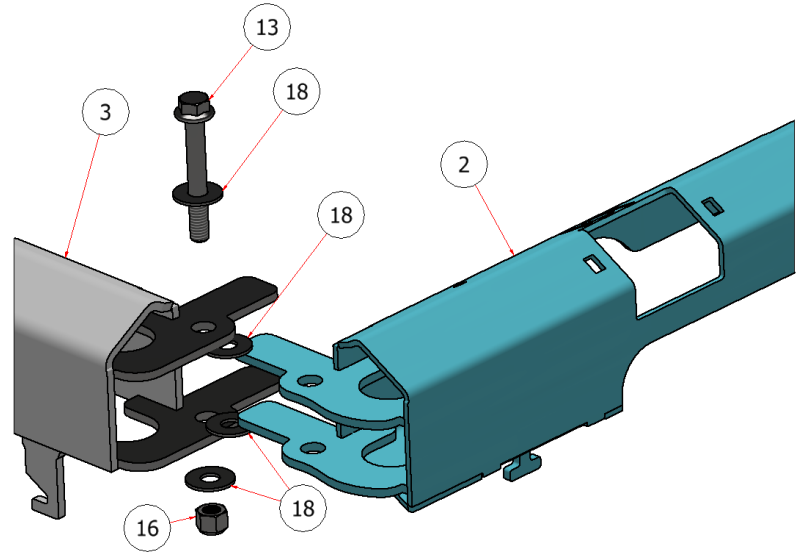
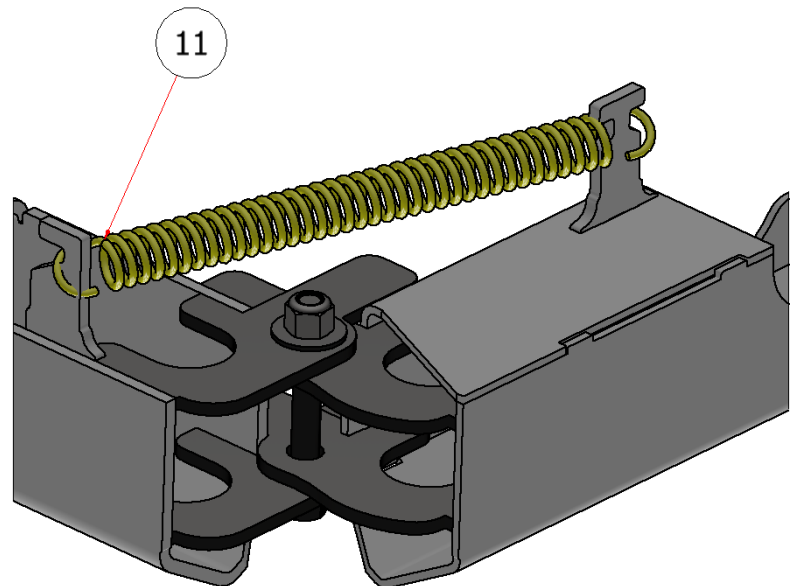


**SPRAY BOOM SG54 ASSEMBLY**



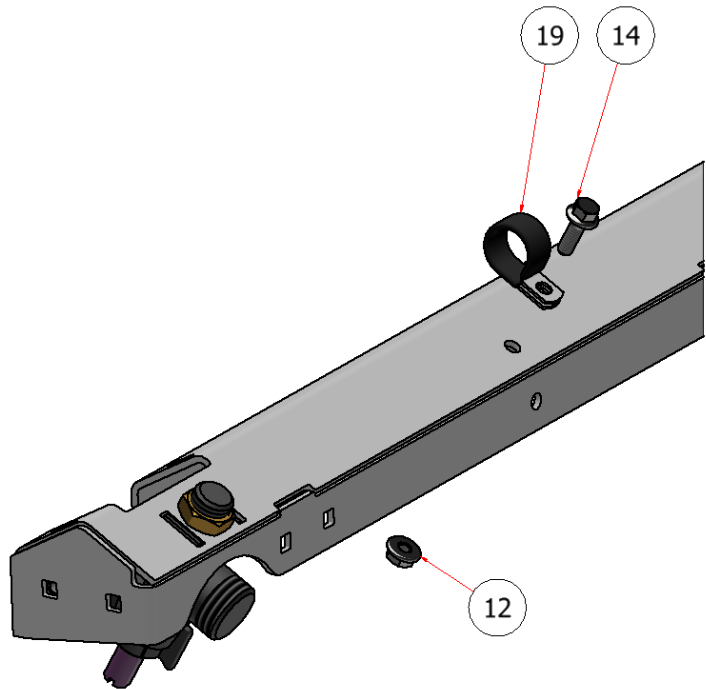
PARTS LIST			
ITEM	QTY	PART NUMBER	DESCRIPTION
2	1	W21-349-L	OUTER WING, 6 NOZZLE SPRAY BOOM LEFT
3	1	W21-351	CENTER SECTION, 6 NOZZLE SPRAY BOOM
13	2	HFSSC-3825	HEX FLANGE BOLT, 3/8 X 2-1/2
16	2	SSNNC-38	NYLOCK, SS - 3/8-16
18	8	FWSS-38	FLAT WASHER, SS - 3/8



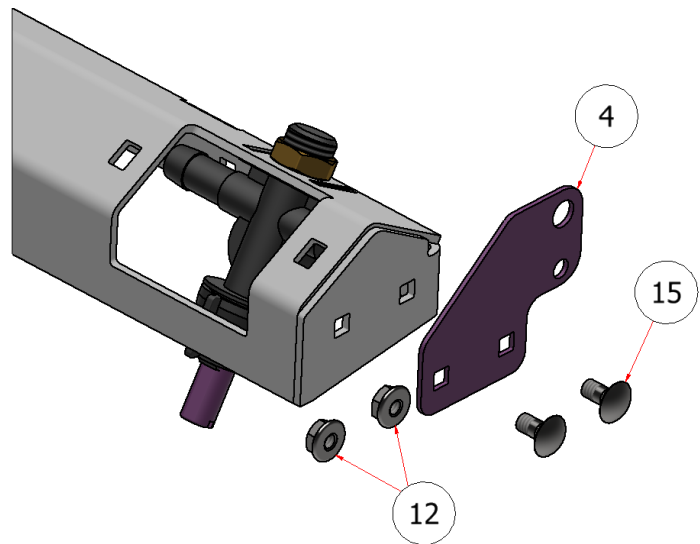
PARTS LIST			
ITEM	QTY	PART NUMBER	DESCRIPTION
11	2	C60112	SPRING, IDLER

**SPRAY BOOM SG54 ASSEMBLY**

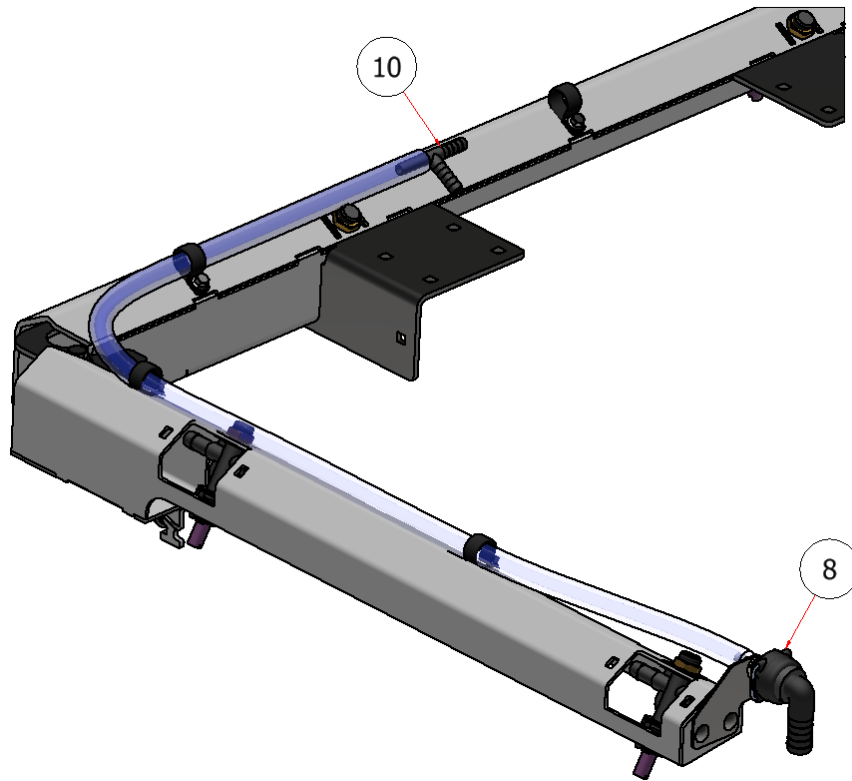
PARTS LIST			
ITEM	QTY	PART NUMBER	DESCRIPTION
12	11	HFNCS-14S	HEX FLANGE NUT, 1/4
14	7	HFSSC-1475	HEX FLANGE BOLT, 1/4 X 3/4
19	7	RBC-75	LOOP CLAMP, 3/4"



PARTS LIST			
ITEM	QTY	PART NUMBER	DESCRIPTION
4	2	R21-379	BRACKET, FOAM MARKER, 6 NOZZLE BOOM
12	11	HFNCS-14S	HEX FLANGE NUT, 1/4
15	4	CB-145SS	CARRIAGE BOLT, 1/4 X 1/2



**SPRAY BOOM SG54 ASSEMBLY**



PARTS LIST			
ITEM	QTY	PART NUMBER	DESCRIPTION
8	2	901699	DROPPER, FOAM MARKER
10	1	S50060	TEE, 3/8" BARB

EXPLODED VIEW		
PART NO.	REV.	DESCRIPTION
SG54EV-026	A	SPRAY BOOM SG54 ASSEMBLY