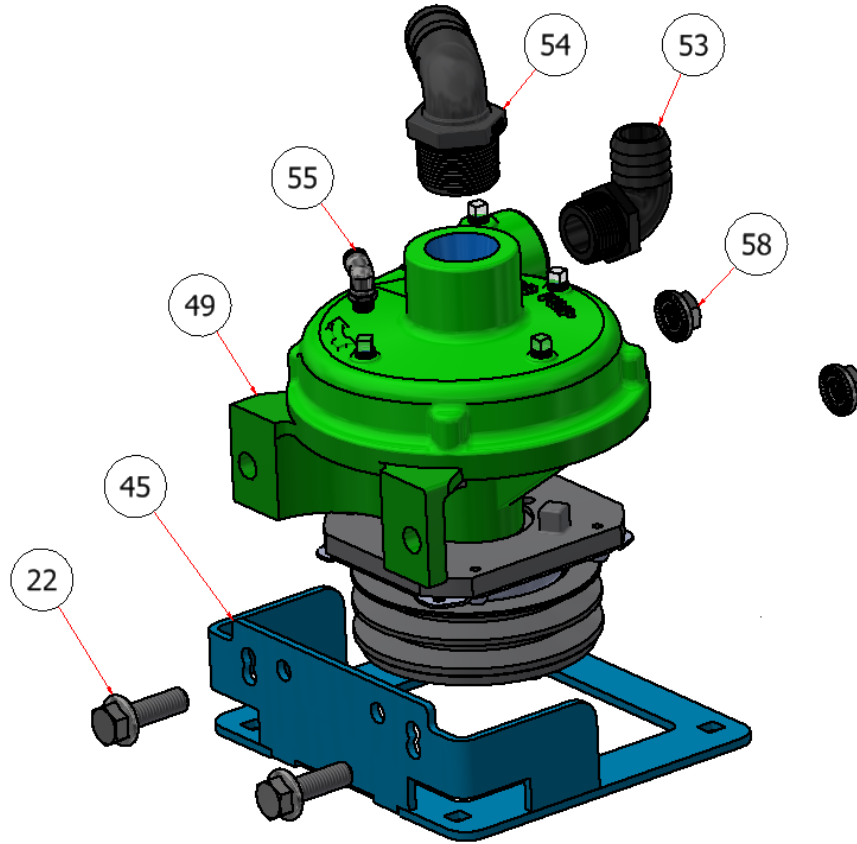


SPRAY PUMP SG54 ASSEMBLY



PARTS LIST			
ITEM	QTY	PART NUMBER	DESCRIPTION
22	7	HFSSC-12112	HEX FLANGE BOLT, SS - 1/2-13 x 1 1/2
45	1	W21-305	BRACKET, SPRAY PUMP, BELT DRIVE
49	1	FMC-CW-MAG-1	SPRAY PUMP, BELT DRIVE
53	1	S52101-90	1" NPT X 1" BARB ELBOW
54	1	E3L114	1-1/4" NPT X 1-1/4" BARB ELBOW
55	1	H84064	FITTING, PUSH LOCK, 1/8 NPT X 1/4 TUBE
58	2	HFNCS-.500S	HEX FLANGE NUT, 1/2" SS

EXPLODED VIEW		
PART NO.	REV.	DESCRIPTION
SG54EV-016	A	SPRAY PUMP SG54 ASSEMBLY