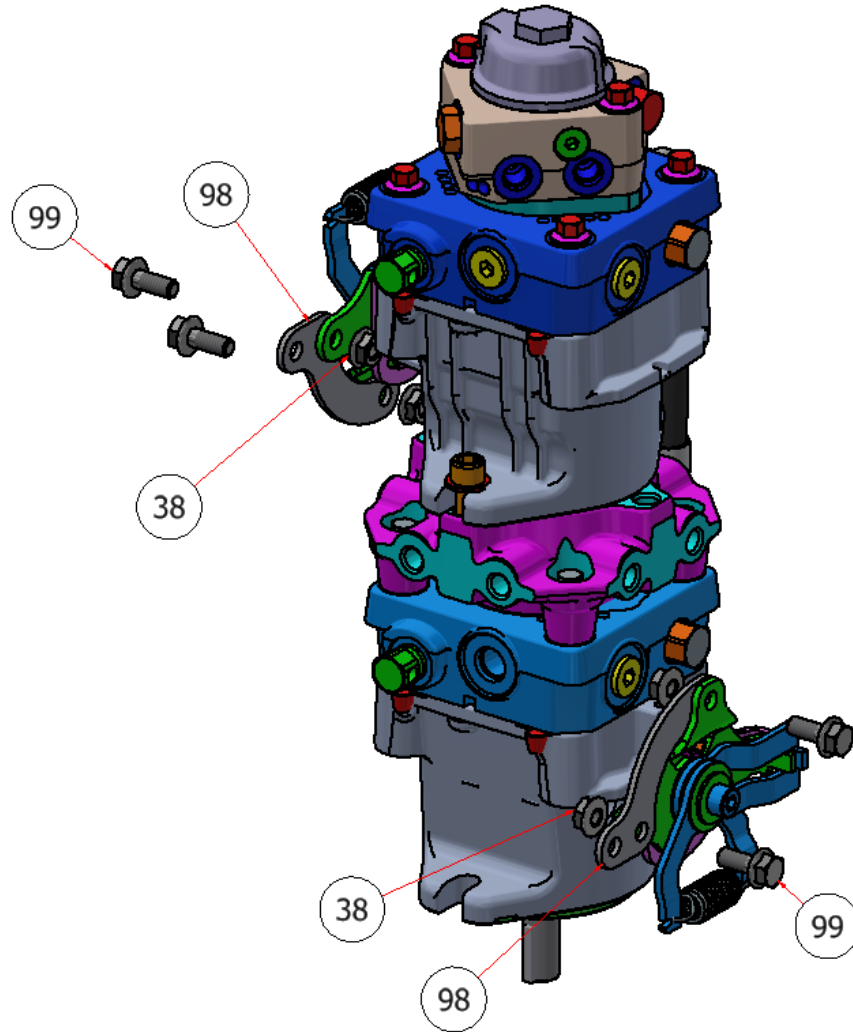
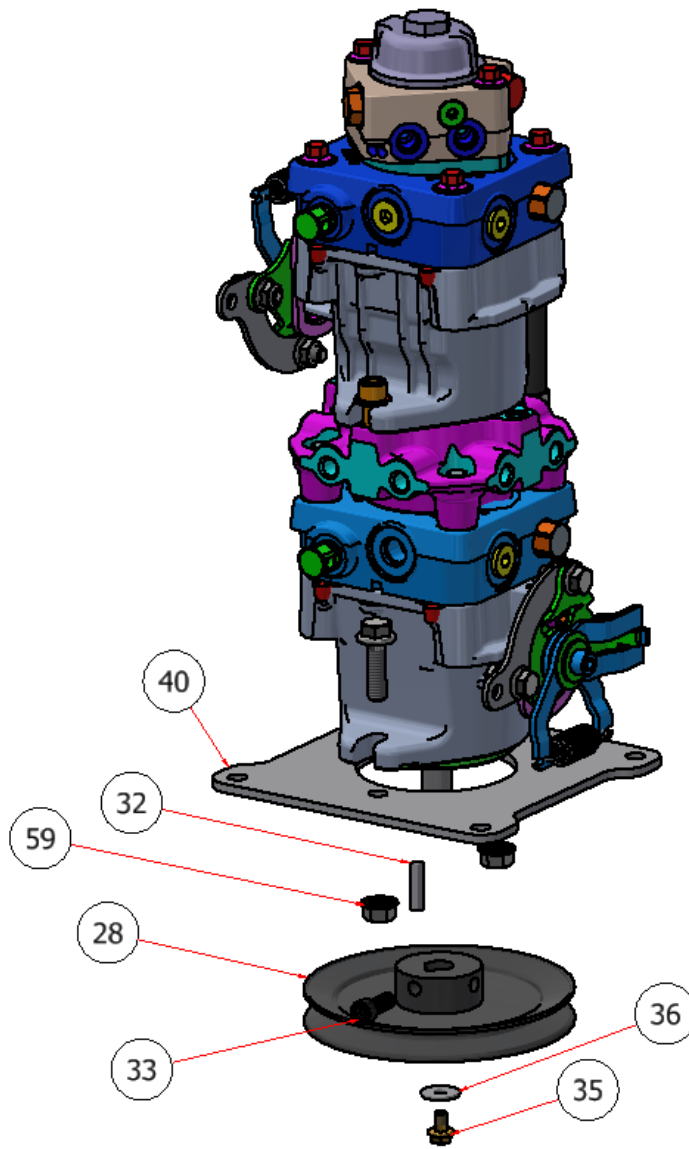


TANDEM PUMP SG54 ASSEMBLY



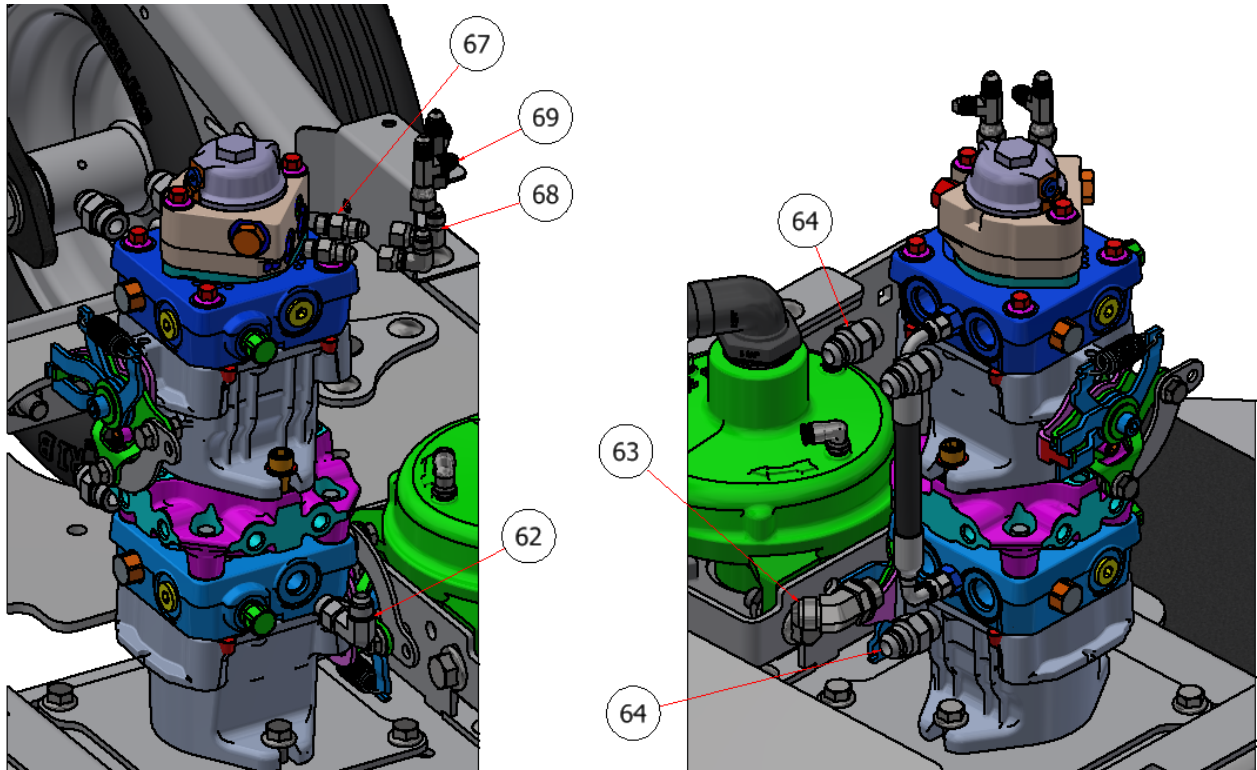
PARTS LIST			
ITEM	QTY	PART NUMBER	DESCRIPTION
38	10	HFNCS-516S	HEX FLANGE NUT, SS - 5/16
98	2	R21-017	BRACKET, STEER\THROTTLE
99	4	HFSSC-51634	HEX FLANGE BOLT, 5/16-18 x 3/4

TANDEM PUMP SG54 ASSEMBLY



PARTS LIST			
ITEM	QTY	PART NUMBER	DESCRIPTION
28	1	H82006	PULLY, HYDRAULIC PUMPS
32	1	KS-5MX5MX25MM	KEY, PUMP SHAFT
33	2	SHCS-516-24X34	SOCKET HEAD CAP SCREW, 5/16 X 3/4
35	1	JIS B 1189 - M6 x 10	HEX FLANGE BOLT, M6 X 10
36	1	FENWCB-M6X20X1.5	FLAT WASHER, M6 X 20 X 1.5
40	1	R21-016	PLATE, HYDRAULIC PUMP
59	26	HFNCS-375S	HEX FLANGE NUT, 3/8

TANDEM PUMP SG54 ASSEMBLY



PARTS LIST			
ITEM	QTY	PART NUMBER	DESCRIPTION
62	1	H84025	3/8 MALE JIC X 3/4 ORB ELB 90 LONG
63	1	H84007	1/2 MALE JIC X 3/4 ORB ELB 45
64	3	8_F5OX-S	1/2 MALE JIC X 3/4 ORB
67	2	H84002	1/4 MALE JIC X 1/4 ORB
68	2	H84008	1/4 MALE JIC x 1/4 FEMALE SWIVEL NUT ELB
69	2	H84031	1/4 HOSE X 1/4 FEMALE JIC SWIVEL TEE

EXPLODED VIEW		
PART NO.	REV.	DESCRIPTION
SG54EV-014	A	TANDEM PUMP SG54 ASSEMBLY