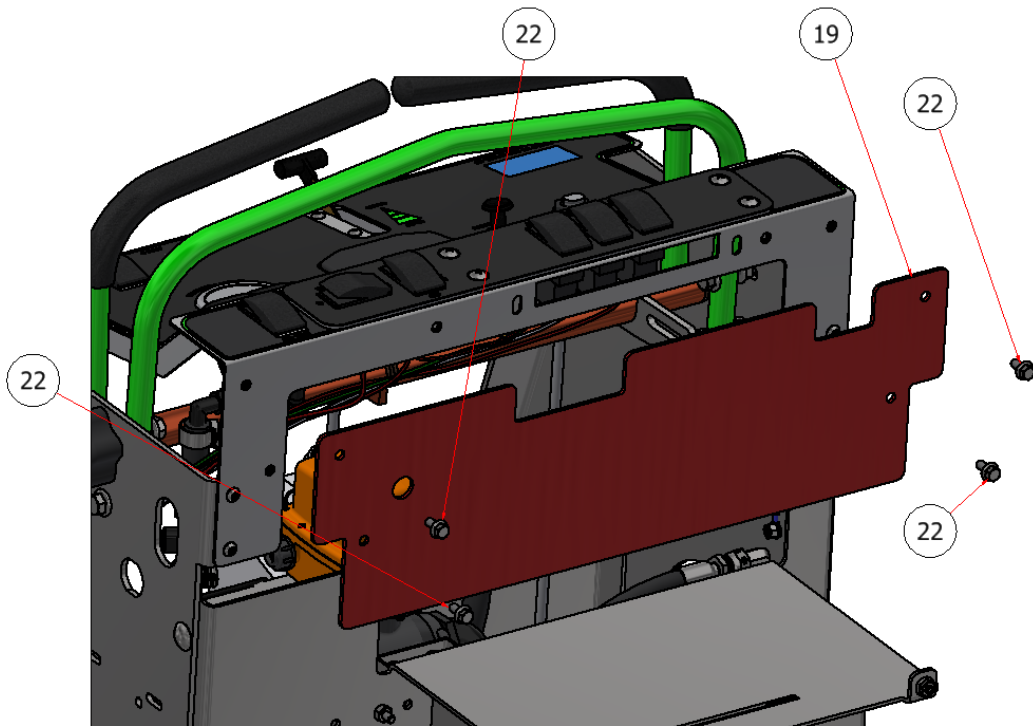


**UPRIGHT FRONT COVER SG54 ASSEMBLY**



PARTS LIST			
ITEM	QTY	PART NUMBER	DESCRIPTION
19	1	R21-360	COVER, DASH PANEL FRONT
22	4	HFSSC-145	HEX FLANGE BOLT, SS - 1/4-20 x 1/2

EXPLODED VIEW		
PART NO.	REV.	DESCRIPTION
SG54EV-032	A	UPRIGHT FRONT COVER SG54 ASSEMBLY