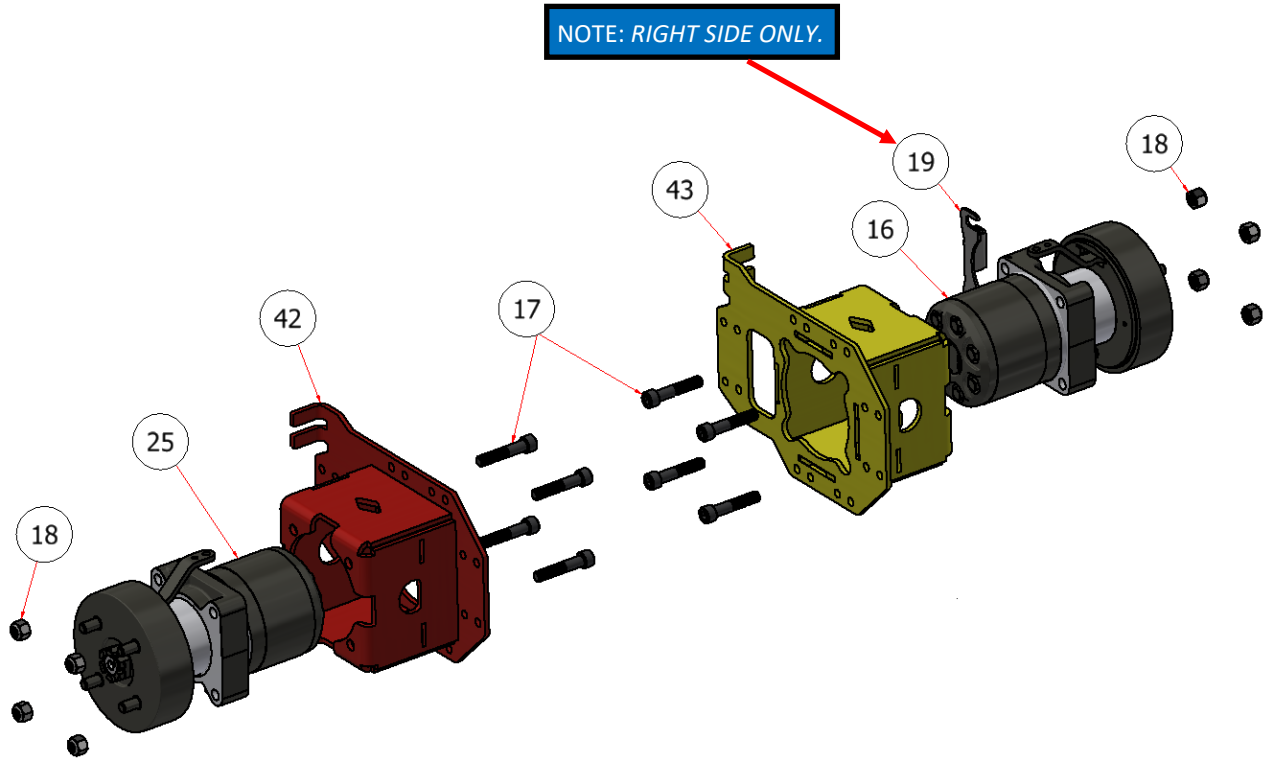
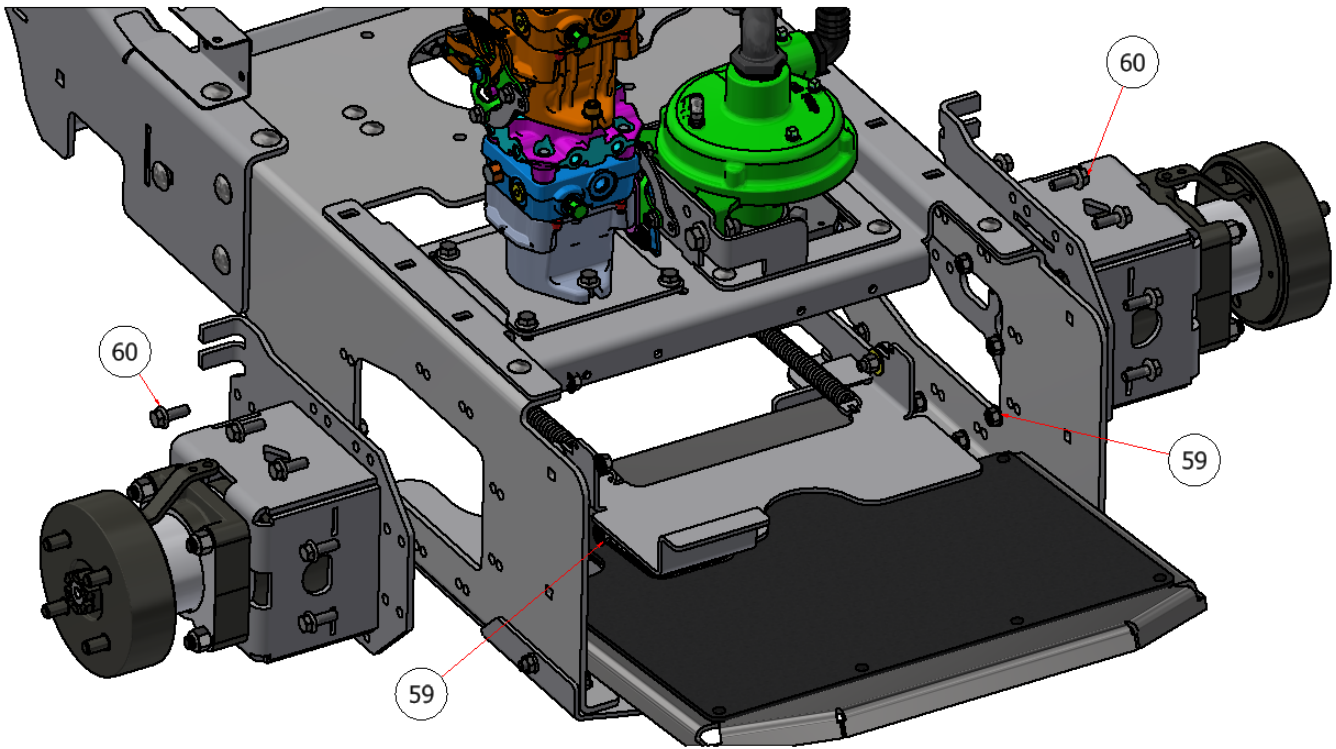


WHEEL MOTORS SG54 ASSEMBLY



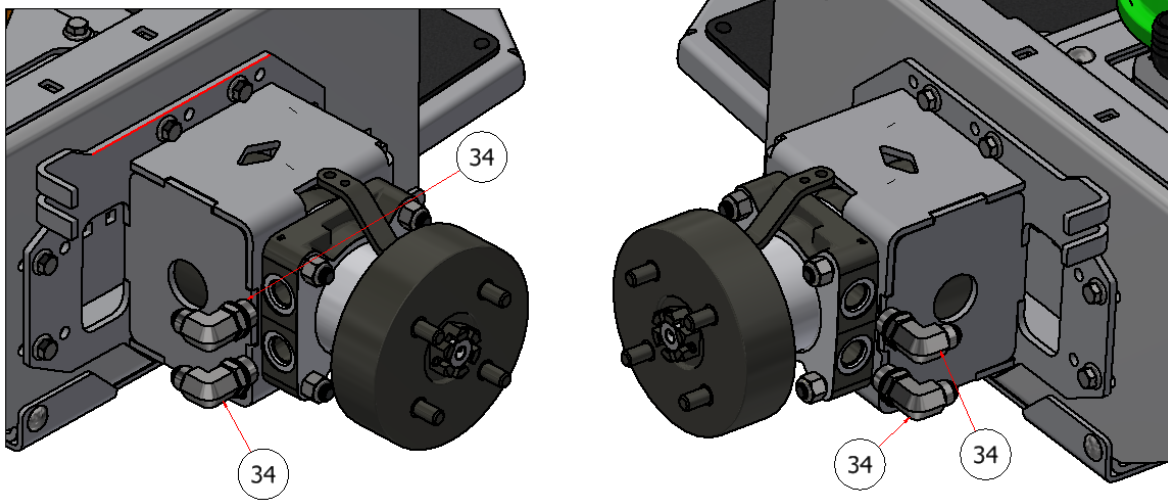
PARTS LIST			
ITEM	QTY	PART NUMBER	DESCRIPTION
16	1	H80406	WHEEL MOTOR, SG46/52, RIGHT
17	8	SHCS-12212	SOCKET HEAD CAP SCREW, SS - 1/2 x 2 1/2
18	9	SSNNC-12	NYLOCK, SS - 1/2-13
19	1	R21-055	BRACKET, SPEED SENSOR
25	1	H80407	WHEEL MOTOR, SG46/52, LEFT
42	1	W21-301	BRACKET, WHEEL MOTOR, SG54, LEFT
43	1	W21-301-R	BRACKET, WHEEL MOTOR, SG54, RIGHT

WHEEL MOTORS SG54 ASSEMBLY



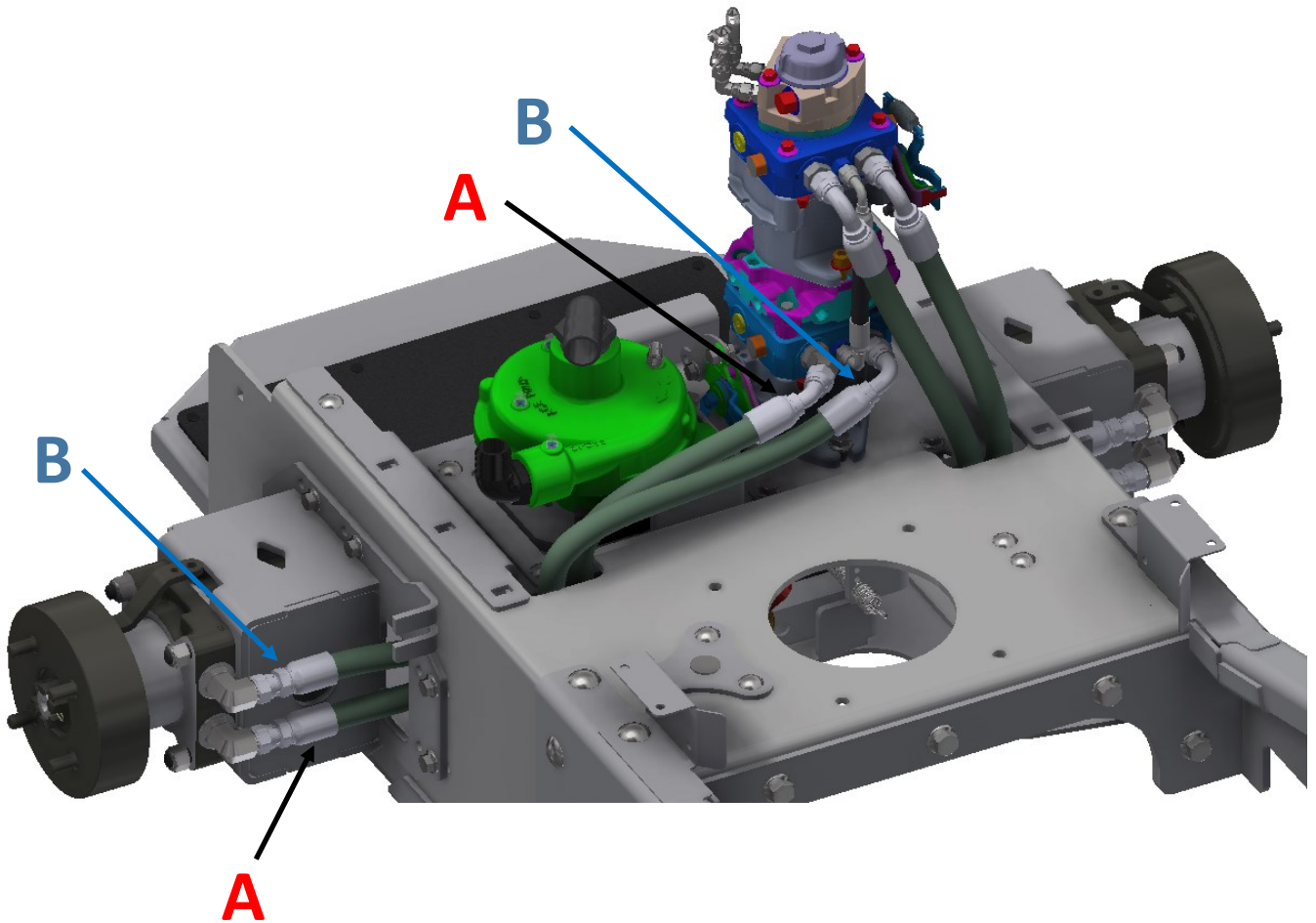
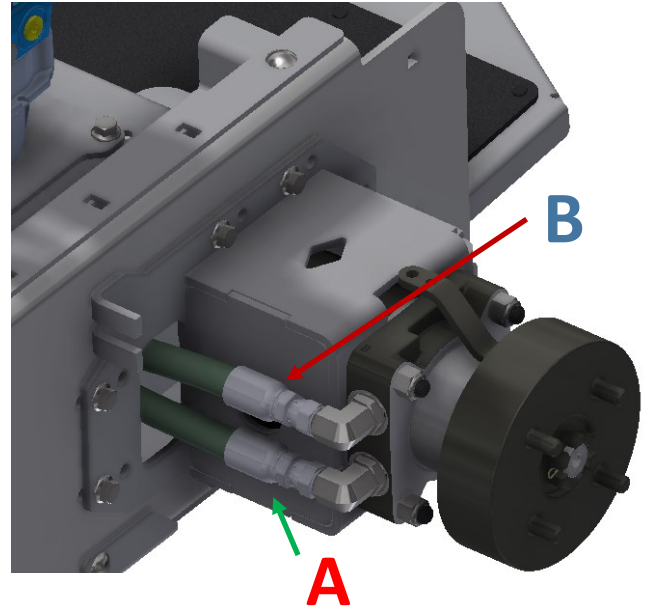
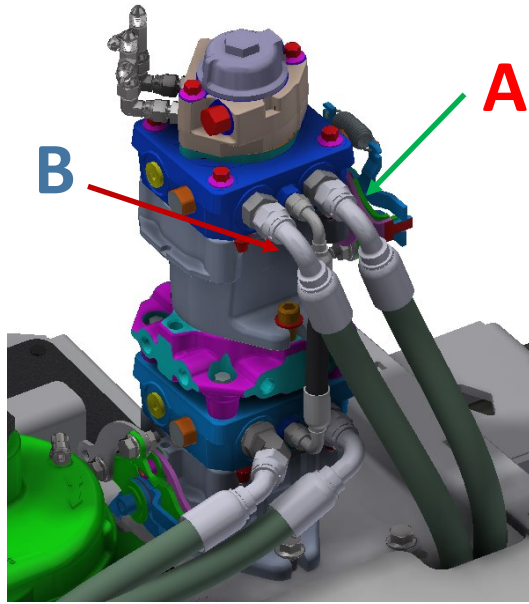
PARTS LIST			
ITEM	QTY	PART NUMBER	DESCRIPTION
59	26	HFNCS-375S	HEX FLANGE NUT, 3/8
60	20	HFSSC-381	HEX FLANGE BOLT, SS - 3/8-16 x 1

WHEEL MOTORS SG54 ASSEMBLY



PARTS LIST			
ITEM	QTY	PART NUMBER	DESCRIPTION
34	4	H84016	1/2 MALE JIC X 1/2 ORB ELB

WHEEL MOTORS SG54 ASSEMBLY



EXPLODED VIEW		
PART NO.	REV.	DESCRIPTION
SG54EV-015	A	WHEEL MOTORS SG54 ASSEMBLY