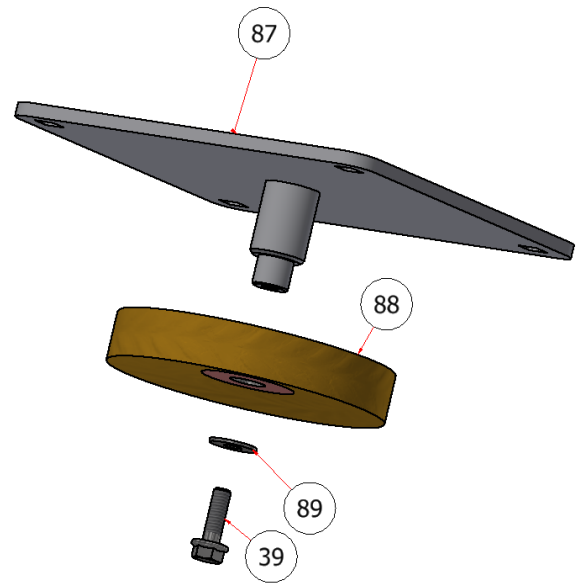


SGXL ALL FERT

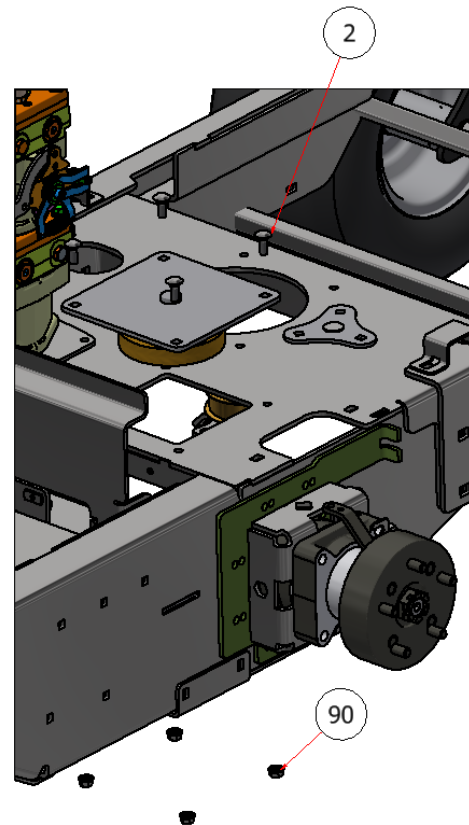
DRAWING NO. SGXLEV-044 REV. 2



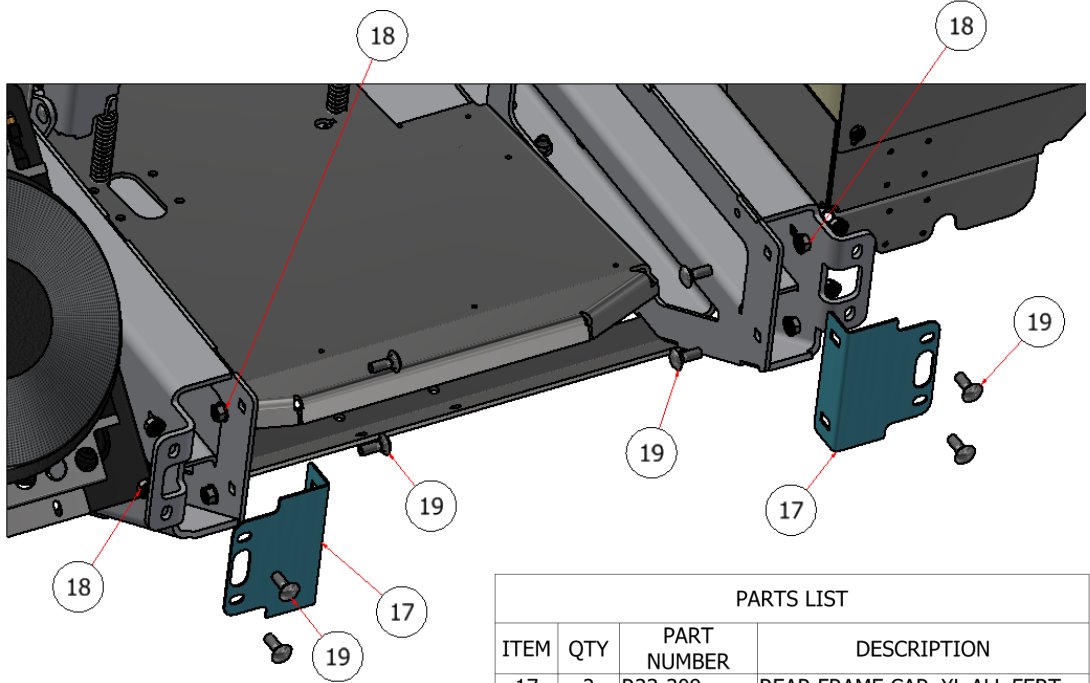
PARTS LIST			
ITEM	QTY	PART NUMBER	DESCRIPTION
39	5	HFSSC-3131	HEX FLANGE BOLT, SS - 5/16 X 1
87	1	W24-063	PULLEY PLATE, XL ALL FERT
88	1	H82004	IDLER V PULLY
89	1	FWSS-516	FLAT WASHER, 5/16



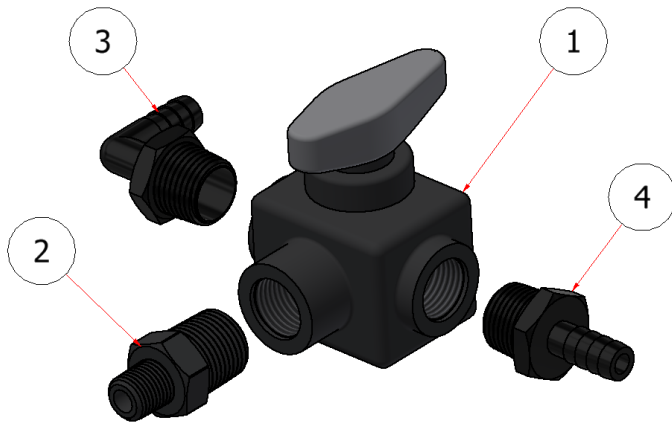
PARTS LIST			
ITEM	QTY	PART NUMBER	DESCRIPTION
2	20	CB-381SS	CARRIAGE BOLT, SS - 3/8-16 x 1
90	4	HFNCS-375S	HEX FLANGE NUT, 3/8



NOTE: Quantities in the parts list above are total per machine. Please note the quantities used in the sub-assemblies.

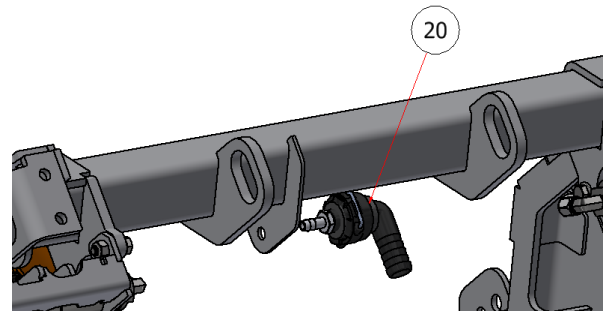


PARTS LIST			
ITEM	QTY	PART NUMBER	DESCRIPTION
17	2	R23-309	REAR FRAME CAP, XL ALL FERT
18	8	HFNC3-375S	HEX FLANGE NUT, 3/8
19	8	CB-381SS	CARRIAGE BOLT, SS - 3/8-16 x 1



PARTS LIST			
ITEM	QTY	PART NUMBER	DESCRIPTION
1	1	K10062	VALVE, 3-WAY
2	1	S52066	FITTING, 1/2 MNPT X 1/4 MNPT NIPPLE
3	1	S52026	ELBOW, 90, 1/2 NPT X 3/8 BARB
4	1	S52014-A	STRAIGHT BARB, 1/2NPT X 3/8 BARB

PARTS LIST			
ITEM	QTY	PART NUMBER	DESCRIPTION
20	1	901699	DROPPER, FOAM MARKER



NOTE: Quantities in the parts list above are total per machine. Please note the quantities used in the sub-assemblies.