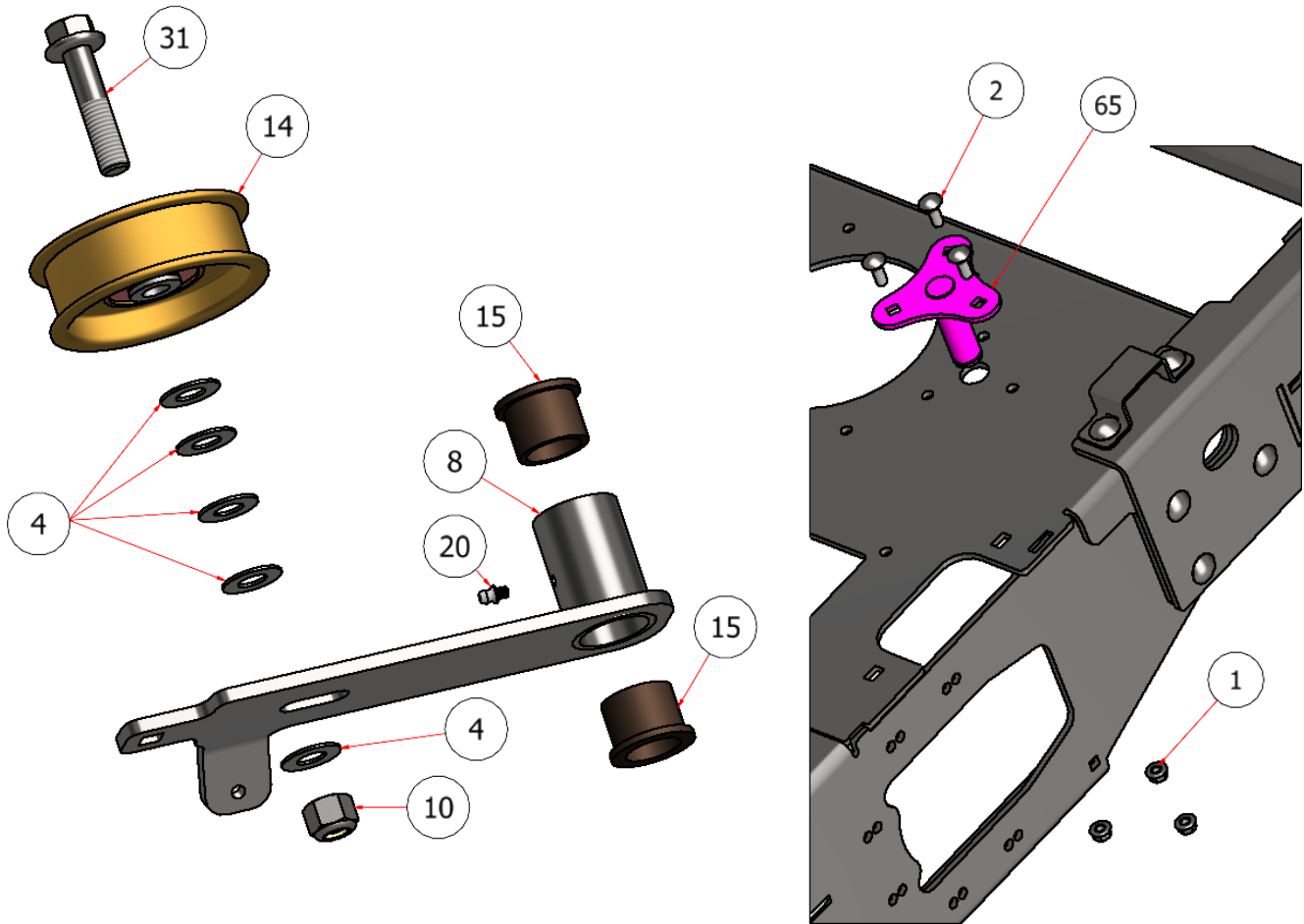


SGXL IDLER ARM

DRAWING NO. SGXLEV-028 REV. 2

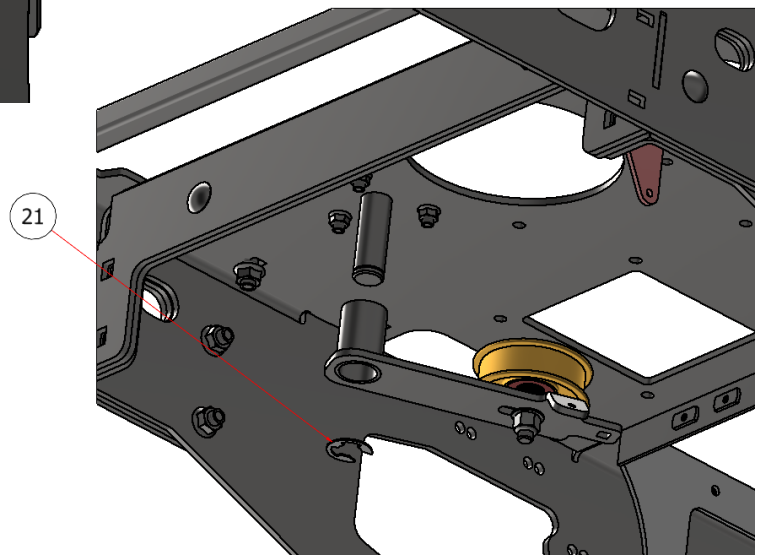
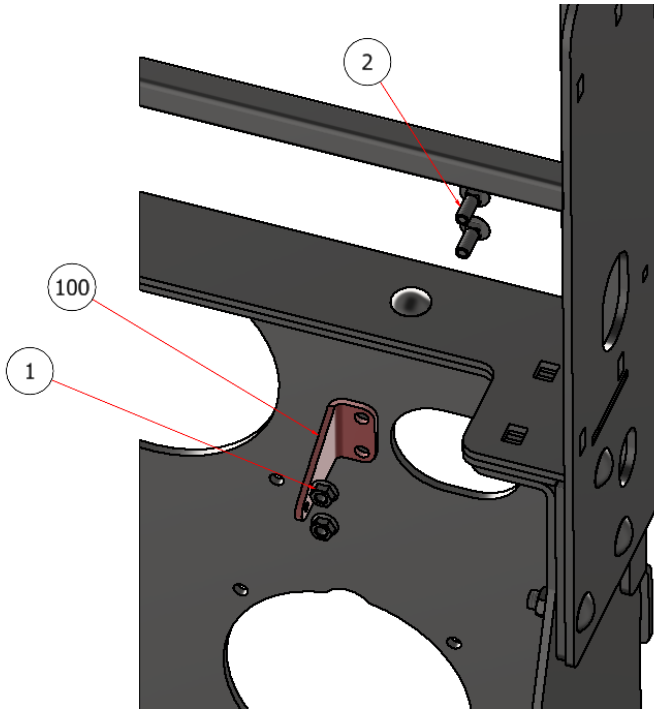


PARTS LIST			
ITEM	QTY	PART NUMBER	TITLE
1	39	HFNC5-38S	HEX FLANGE NUT, SS - 3/8-16
2	23	CB-381SS	CARRIAGE BOLT, SS - 3/8-16 x 1
65	1	W21-021	IDLER ARM SHAFT, SG46/52

PARTS LIST			
ITEM	QTY	PART NUMBER	TITLE
4	5	FWSS-12	FLAT WASHER SAE, SS - 1/2
8	1	W21-020	IDLER ARM
10	9	SSNNC-12	LOCK NUT, 1/2"
14	1	H82003	IDLER PULLEY
15	2	C60304	BUSHING, OIL INFUSED
20	3	6F-316D	GREASE FITTING
31	1	HFC5-12214	HEX FLANGE BOLT, 1/2 X 2-1/4

NOTE: Quantities in the parts list above are total per machine. Please note the quantities used in the sub-assemblies.

SGXL IDLER ARM



PARTS LIST			
ITEM	QTY	PART NUMBER	TITLE
21	1	ECSS-098	SNAP RING

PARTS LIST			
ITEM	QTY	PART NUMBER	TITLE
1	39	HFNCS-38S	HEX FLANGE NUT, SS - 3/8-16
2	23	CB-381SS	CARRIAGE BOLT, SS - 3/8-16 x 1
100	1	R23-031	BRACKET, IDLER ARM

NOTE: Quantities in the parts list above are total per machine. Please note the quantities used in the sub-assemblies.