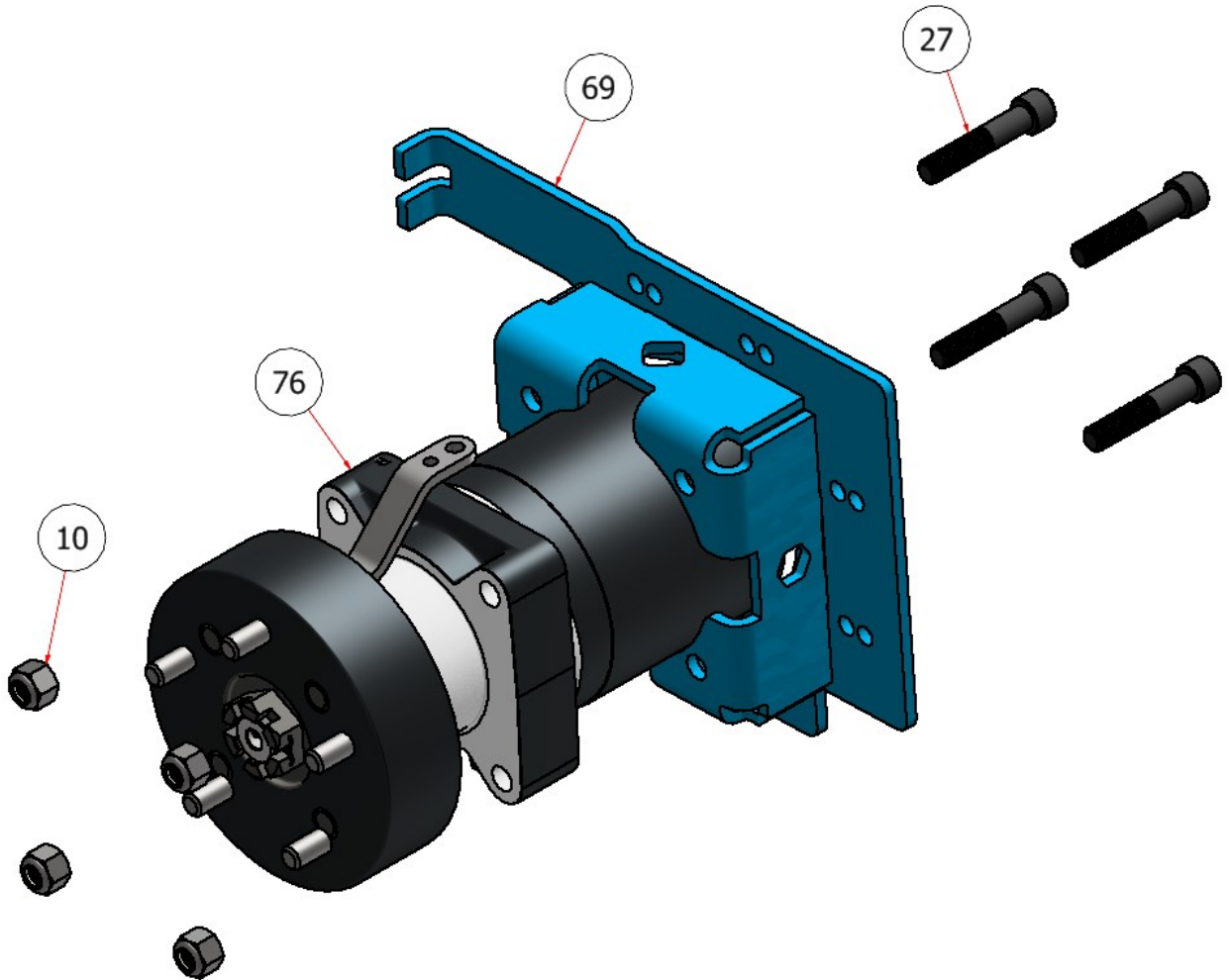


# SGXL WHEEL MOTORS

DRAWING NO. SGXLEV-025 REV. 2

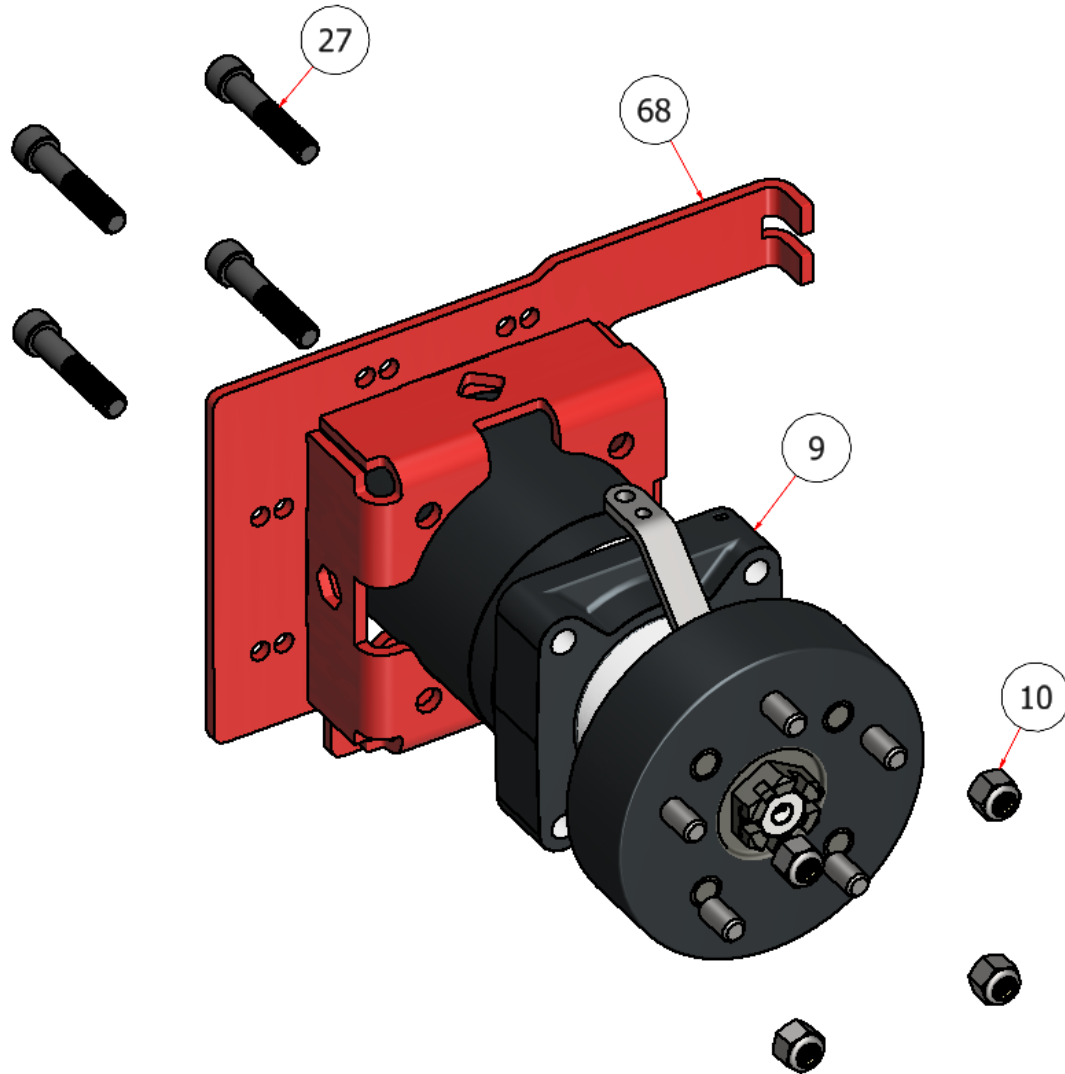
## LEFT SIDE



PARTS LIST			
ITEM	QTY	PART NUMBER	TITLE
10	9	SSNNC-12	LOCK NUT, 1/2"
27	8	SHCS-12212	91251A722.STEP
69	1	W23-222_L	WHEEL MOTOR SUPPORT, RIGHT, SGXL
76	1	H80414-GS	WHEEL MOTOR, LEFT, SGXL

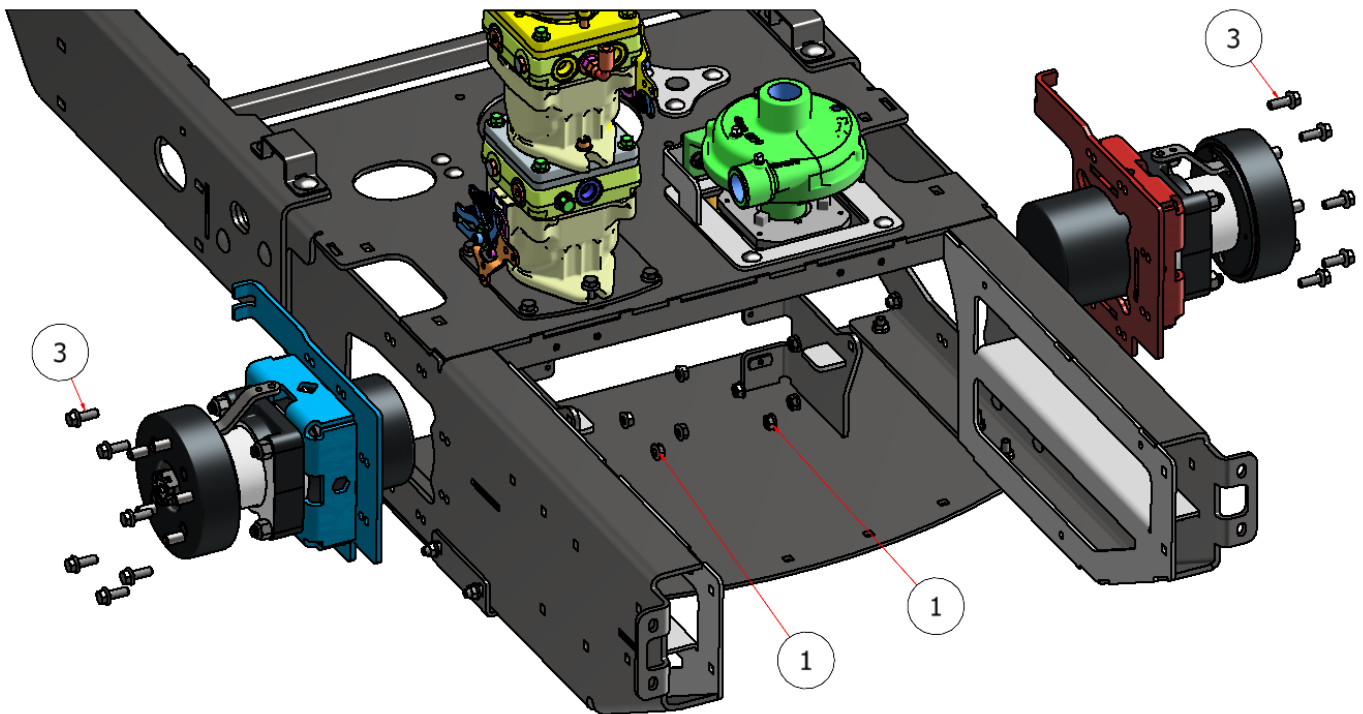
**NOTE:** Quantities in the parts list above are total per machine. Please note the quantities used in the sub-assemblies.

**RIGHT SIDE**



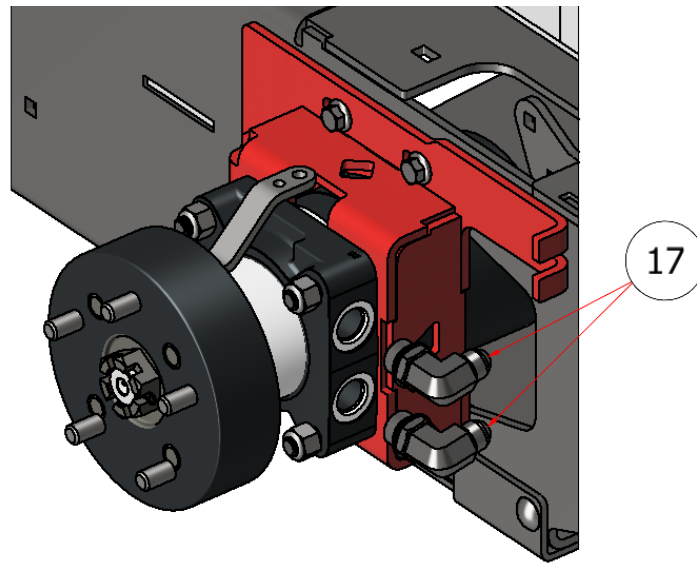
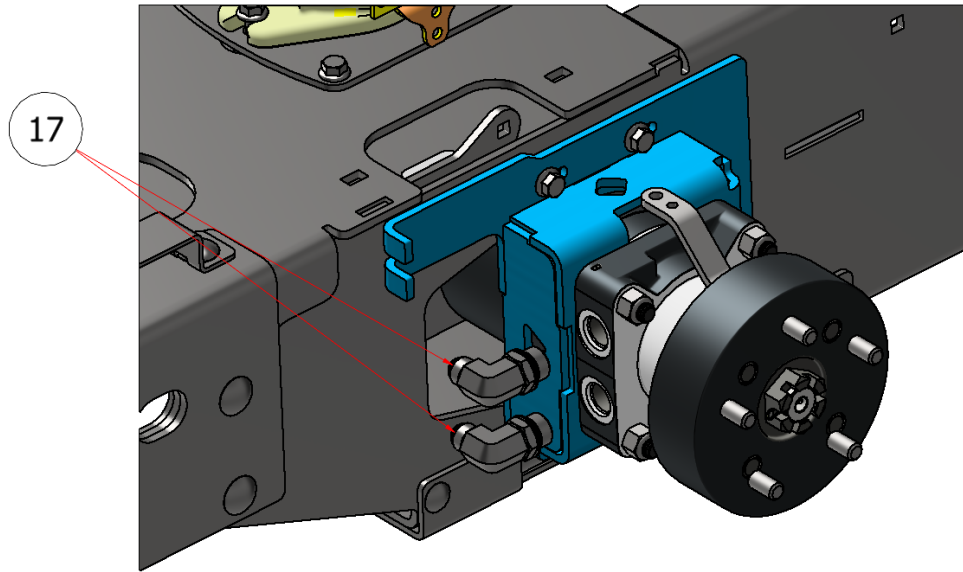
PARTS LIST			
ITEM	QTY	PART NUMBER	TITLE
9	1	H80415-GS	WHEEL MOTOR, RIGHT, SGXL
10	9	SSNNC-12	LOCK NUT, 1/2"
27	8	SHCS-12212	91251A722.STEP
68	1	W23-222	WHEEL MOTOR SUPPORT, RIGHT, SGXL

**NOTE:** Quantities in the parts list above are total per machine. Please note the quantities used in the sub-assemblies.



PARTS LIST			
ITEM	QTY	PART NUMBER	TITLE
1	39	HFNCS-38S	HEX FLANGE NUT, SS - 3/8-16
3	20	HFSSC-381	HEX BOLT, 3/8" X 1"

**NOTE:** Quantities in the parts list above are total per machine. Please note the quantities used in the sub-assemblies.



PARTS LIST			
ITEM	QTY	PART NUMBER	TITLE
17	4	H84016	8MJIC-10MORB-90DEG

**NOTE:** Quantities in the parts list above are total per machine. Please note the quantities used in the sub-assemblies.