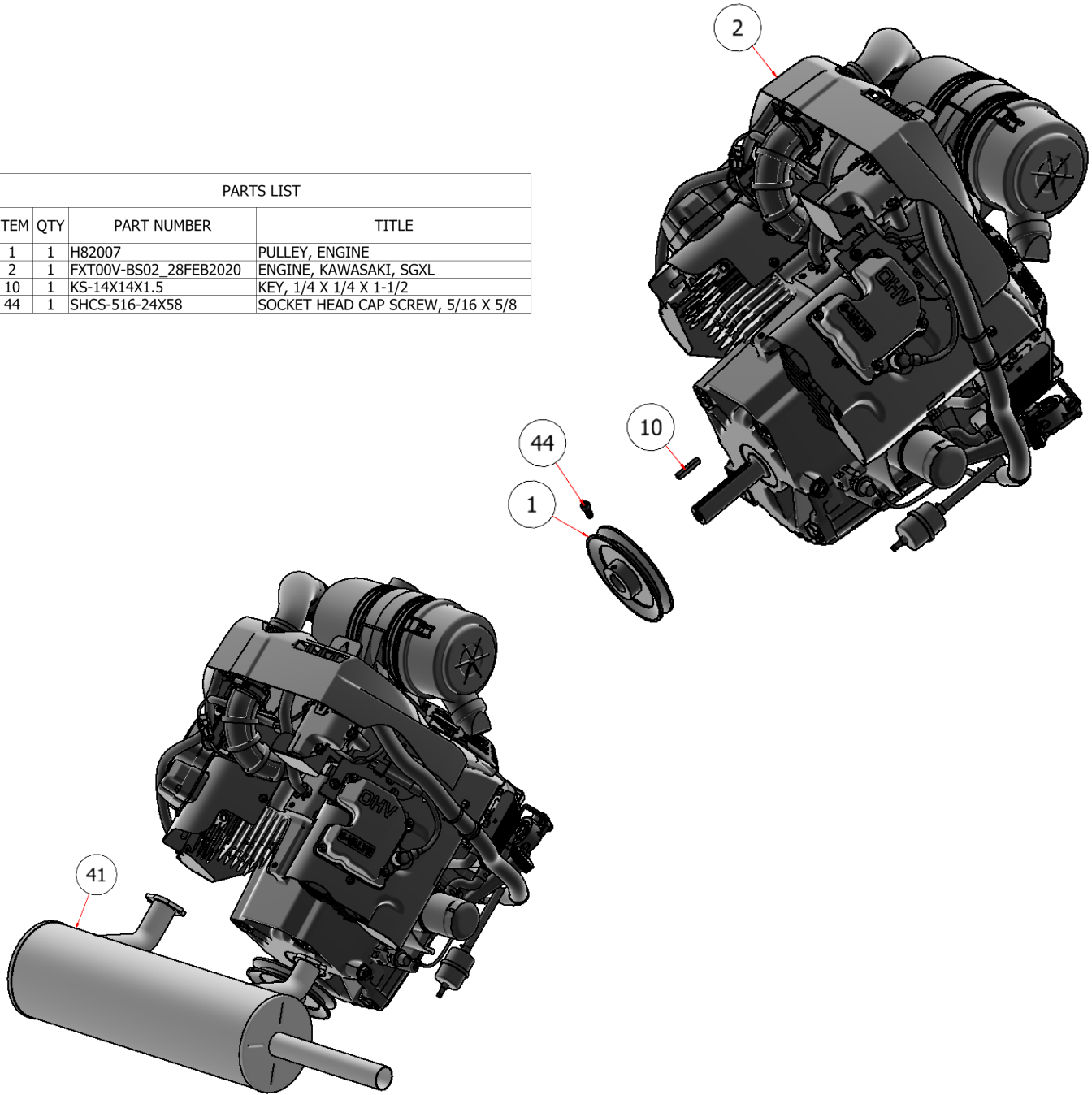


SGXL ENGINE

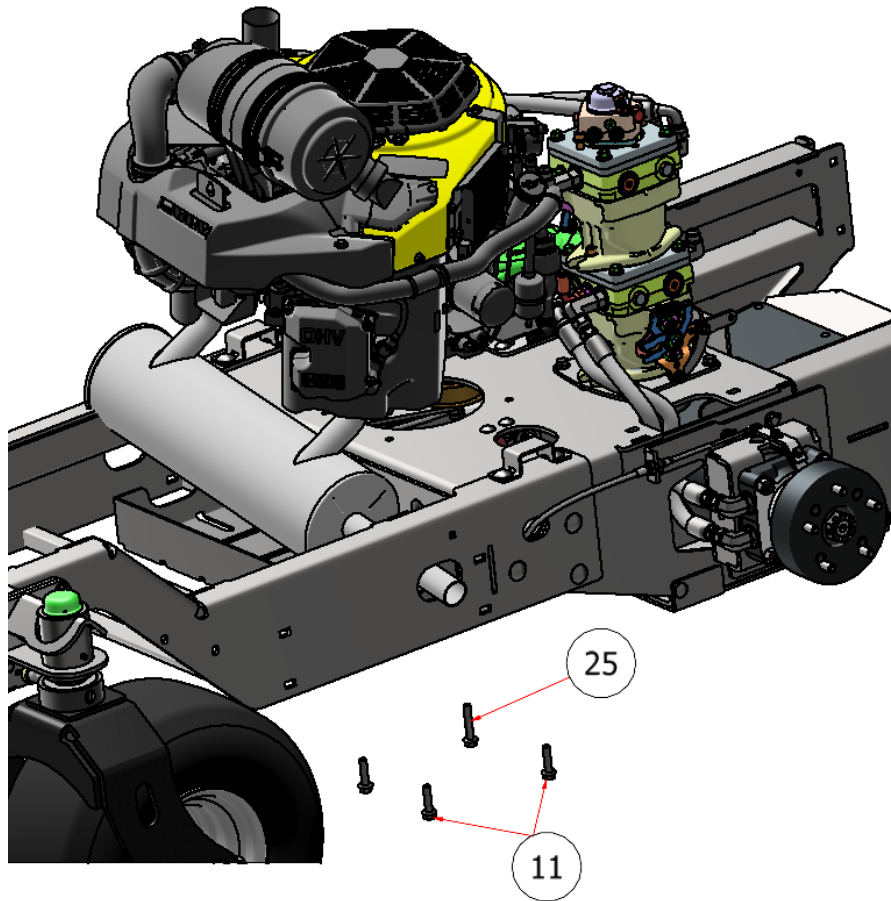
DRAWING NO. SGXLEV-039 REV. 2

PARTS LIST			
ITEM	QTY	PART NUMBER	TITLE
1	1	H82007	PULLEY, ENGINE
2	1	FXT00V-BS02_28FEB2020	ENGINE, KAWASAKI, SGXL
10	1	KS-14X14X1.5	KEY, 1/4 X 1/4 X 1-1/2
44	1	SHCS-516-24X58	SOCKET HEAD CAP SCREW, 5/16 X 5/8



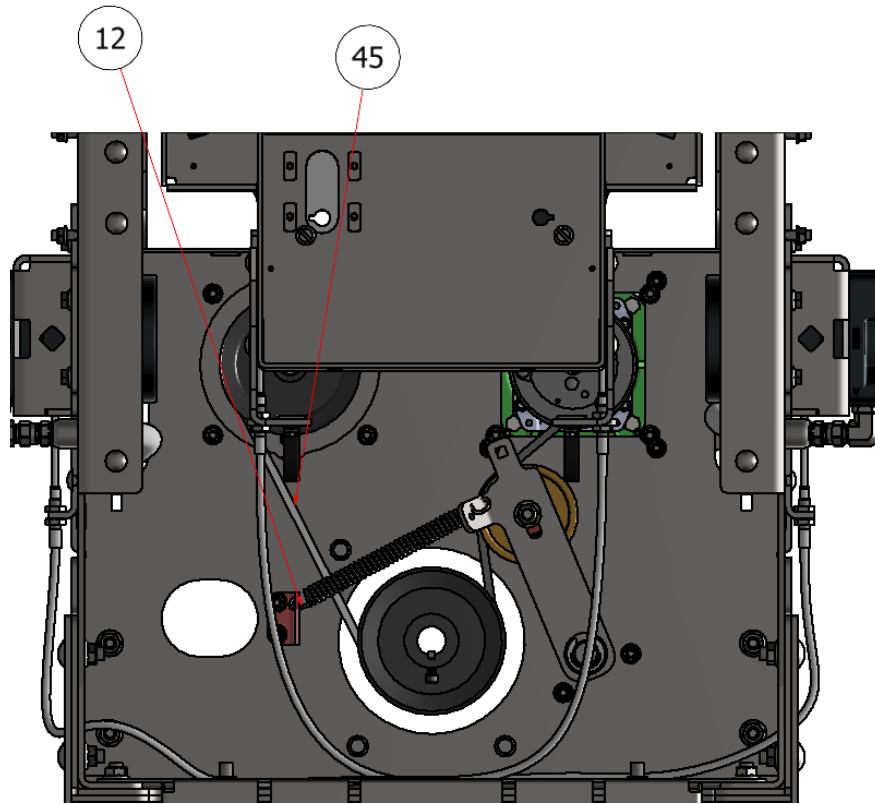
PARTS LIST			
ITEM	QTY	PART NUMBER	TITLE
41	1	X30004-XL	EXHAUST, KAWASAKI, SGXL

NOTE: Quantities in the parts list above are total per machine. Please note the quantities used in the sub-assemblies.



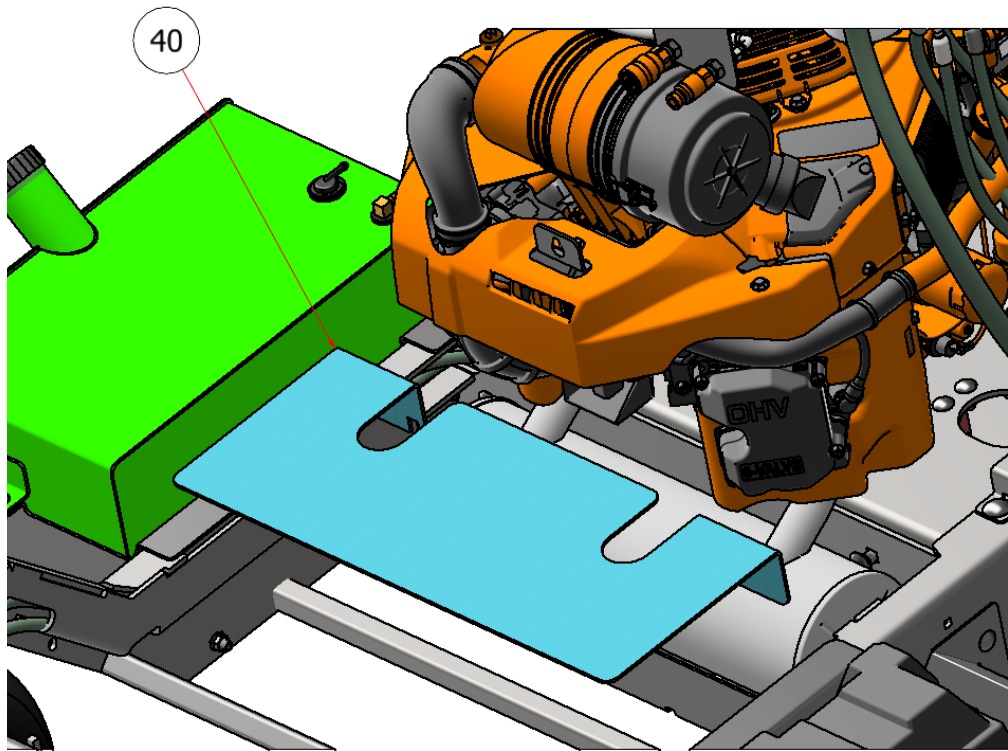
PARTS LIST			
ITEM	QTY	PART NUMBER	TITLE
11	3	HFSSC-3815	HEX FLANGE BOLT, 3/8 X 1.5
25	1	HFSSC-382	HEX BOLT, 3/8 X 2

NOTE: Quantities in the parts list above are total per machine. Please note the quantities used in the sub-assemblies.



PARTS LIST			
ITEM	QTY	PART NUMBER	TITLE
12	1	C60112	SPRING, IDLER
45	1	H83006	ENGINE BELT, BX51

NOTE: Quantities in the parts list above are total per machine. Please note the quantities used in the sub-assemblies.



PARTS LIST			
ITEM	QTY	PART NUMBER	TITLE
40	1	R23-260	SS SGXL ENGINE HEAT SHIELD

NOTE: Quantities in the parts list above are total per machine. Please note the quantities used in the sub-assemblies.