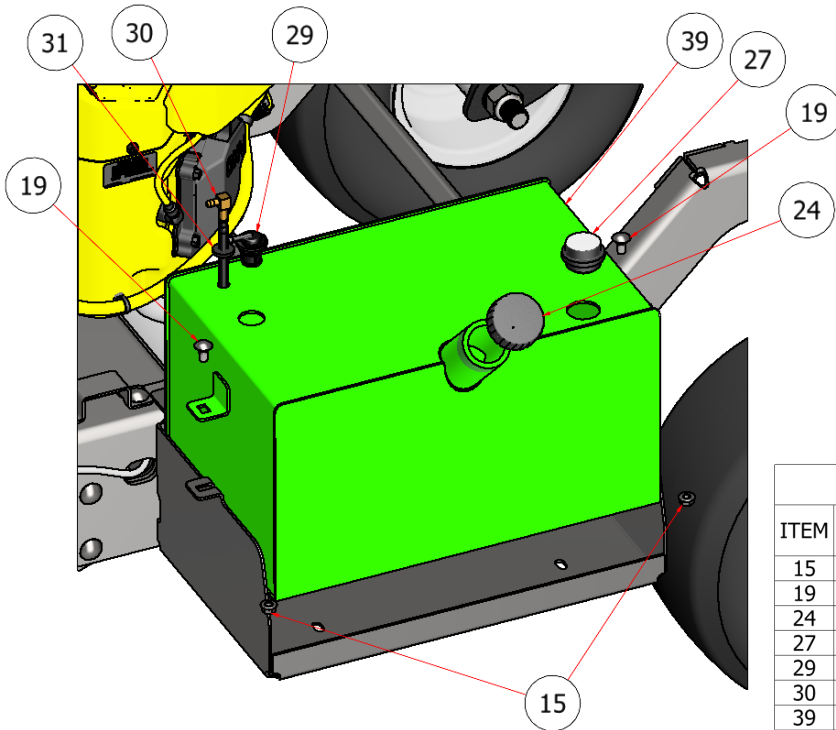
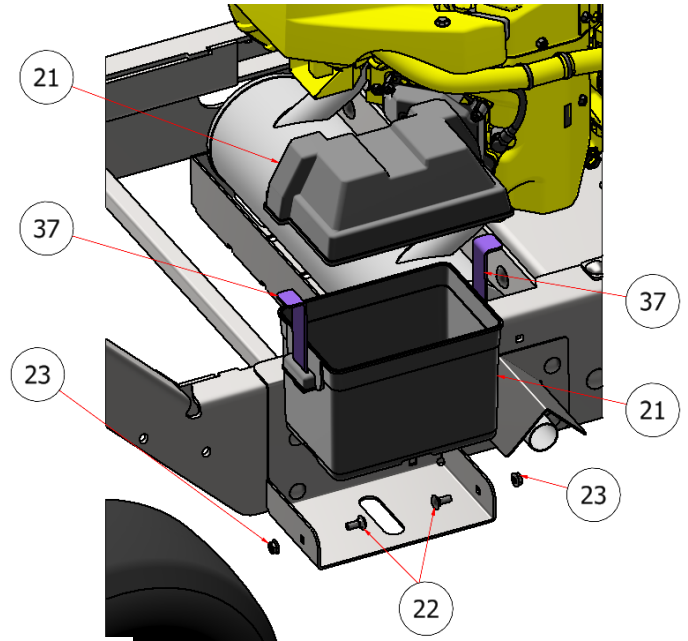


SGXL FINAL ASSEMBLY

DRAWING NO. SGXLEV-040 REV. 2

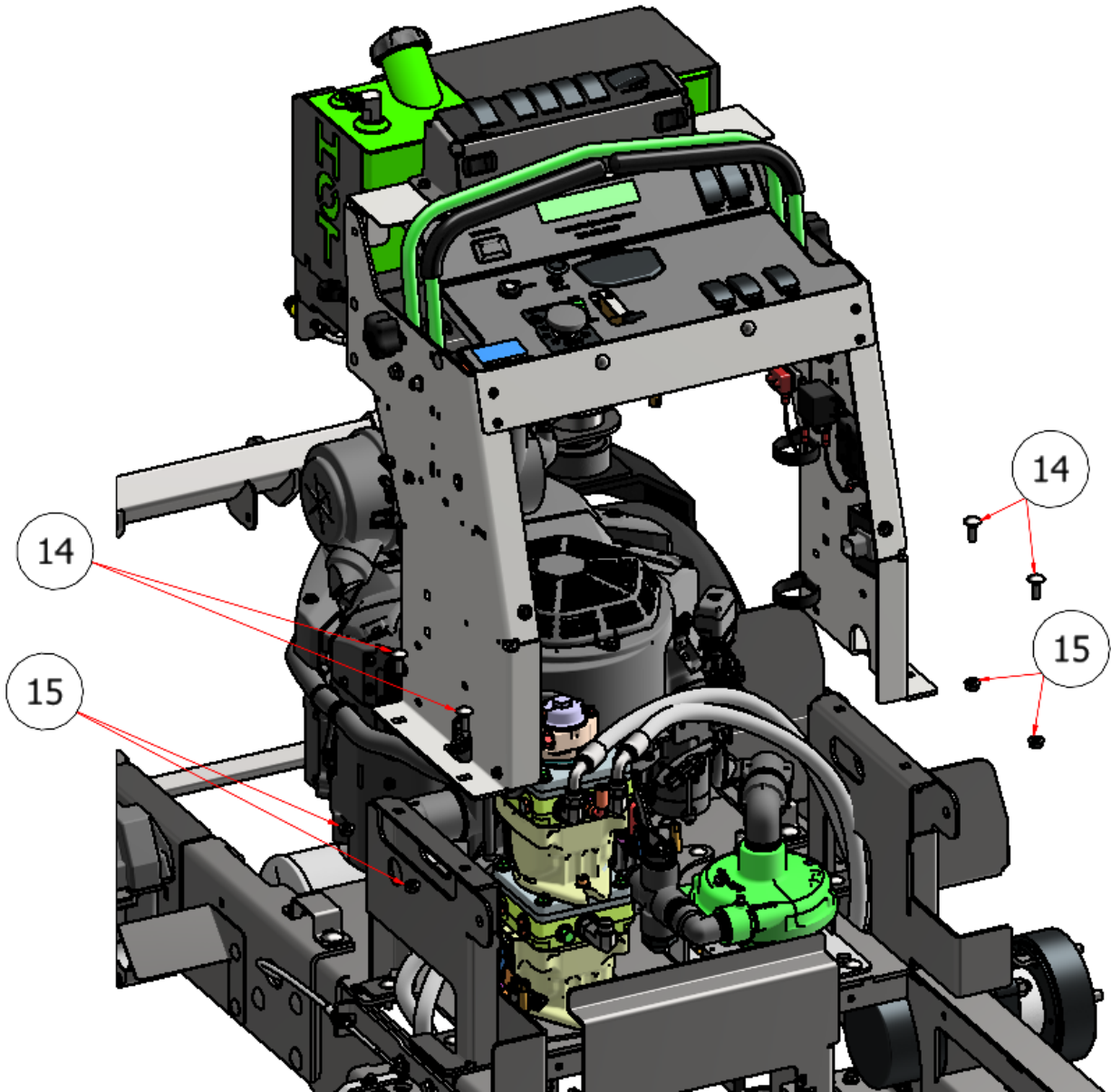


PARTS LIST			
ITEM	QTY	PART NUMBER	TITLE
21	2	E40002	BATTERY BOX
22	2	CB-51634	CARRIAGE BOLT, SS - 5/16-18 x 3/4
23	2	HFNCS-516S	HEX FLANGE NUT, SS - 5/16-18
37	2	R23-232	SS SGXL BATTERY BOX HOLD DOWN



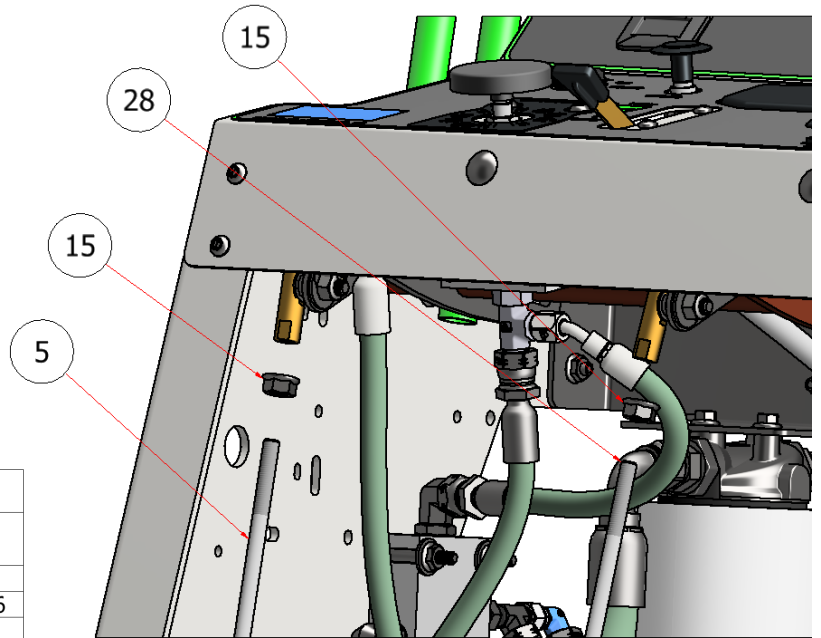
PARTS LIST			
ITEM	QTY	PART NUMBER	TITLE
15	23	HFNCS-38S	HEX FLANGE NUT, SS - 3/8-16
19	2	CB-3834SS	CARRIAGE BOLT, SS - 3/8-16 x 3/4
24	1	M10004	FUEL CAP, VENTED 2.25
27	1	M10021	FUEL GAUGE
29	1	M10006	FUEL FILTER \ FITTING, FUEL TANK
30	1	M10008	PICK-UP TUBE, FUEL TANK
39	1	W23-236	FUEL TANK, SGXL

NOTE: Quantities in the parts list above are total per machine. Please note the quantities used in the sub-assemblies.

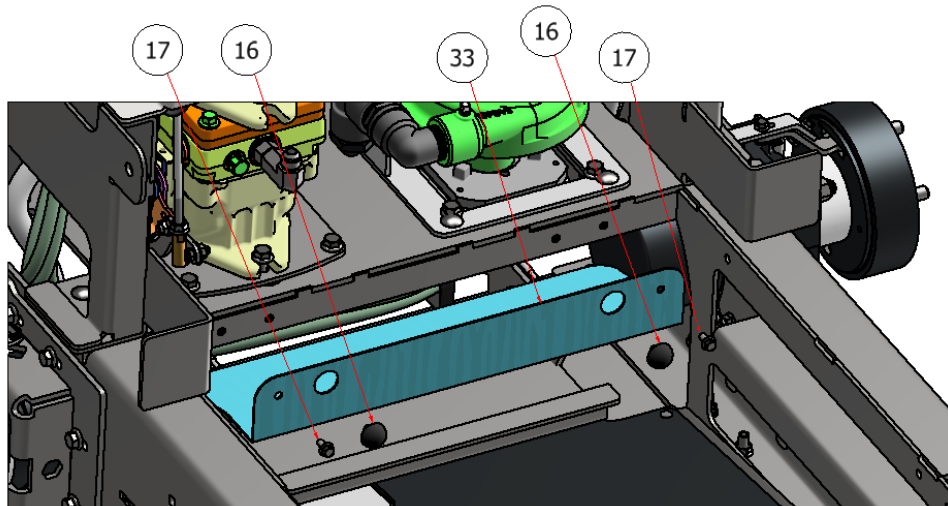


PARTS LIST			
ITEM	QTY	PART NUMBER	TITLE
14	12	CB-381SS	CARRIAGE BOLT, SS - 3/8-16 x 1
15	23	HFNCS-38S	HEX FLANGE NUT, SS - 3/8-16

NOTE: Quantities in the parts list above are total per machine. Please note the quantities used in the sub-assemblies.



PARTS LIST			
ITEM	QTY	PART NUMBER	TITLE
5	1	R31019	ROD, STEERING
15	24	HFNCS-38S	HEX FLANGE NUT, SS - 3/8-16
28	1	R31036	SGXL STEERING ROD RIGHT



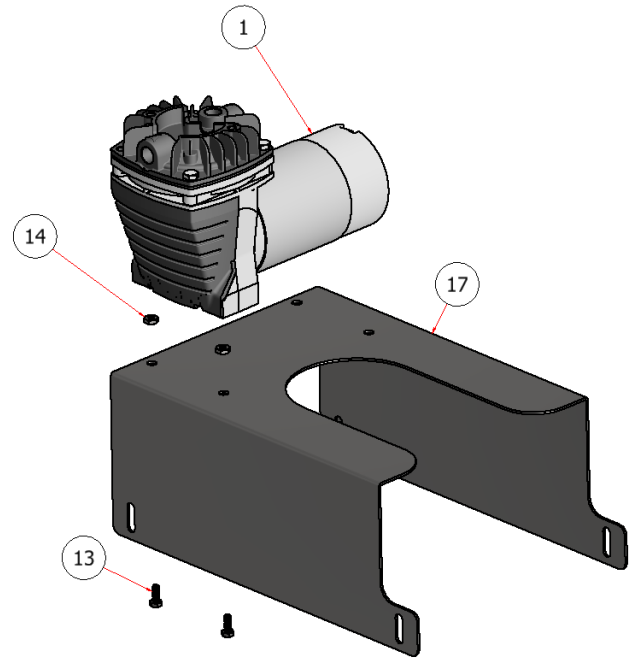
PARTS LIST			
ITEM	QTY	PART NUMBER	TITLE
16	2	C60372	RUBBER BUMPER, THREADED STUD
17	2	HFSSC-145	HEX FLANGE BOLT, SS - 1/4-20 x 1/2
33	1	R23-228	SS SGXL BELT GUARD

NOTE: Quantities in the parts list above are total per machine. Please note the quantities used in the sub-assemblies.

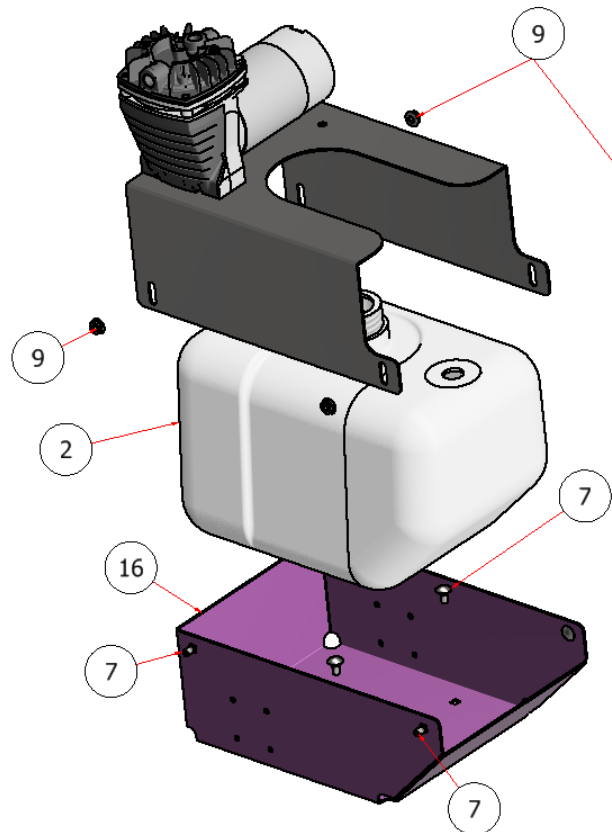
SGXL FINAL ASSEMBLY



PARTS LIST			
ITEM	QTY	PART NUMBER	TITLE
1	1	OF19-080	MOTOR, FOAM MARKER
13	2	HFSSC-1012	BOLT, #10-32 X 1/2
14	2	HFN-10-32	HEX NUT, 10-32
17	1	R23-252	SS SGXL FOAM MARKER TOP



PARTS LIST			
ITEM	QTY	PART NUMBER	TITLE
2	1	FL0025	TANK, 2.5 GALLON FOAM MARKER
7	6	CB-145SS	CARRIAGE BOLT, 1/4 X 1/2
9	6	HFNC-14SS	HEX FLANGE NUT, 1/4-20
16	1	W23-251	TANK SUPPORT, 2.5 GAL. FOAM MARKER, SGXL

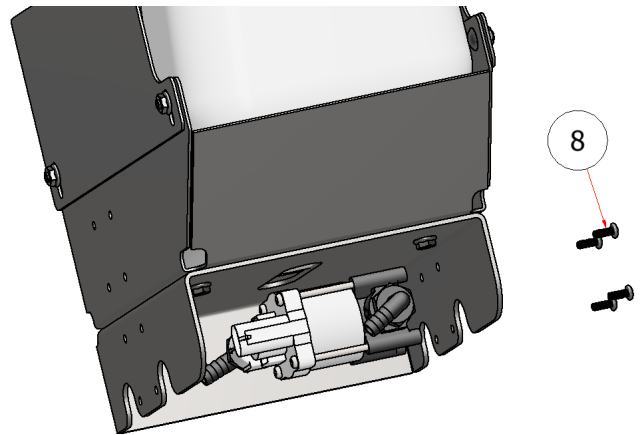
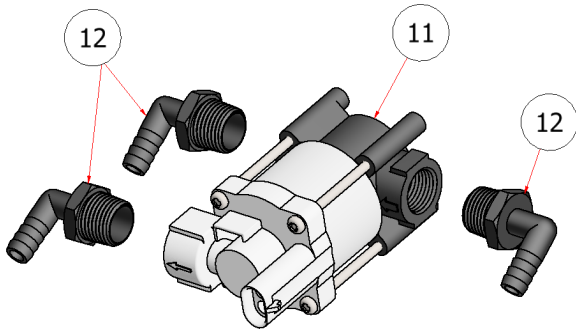
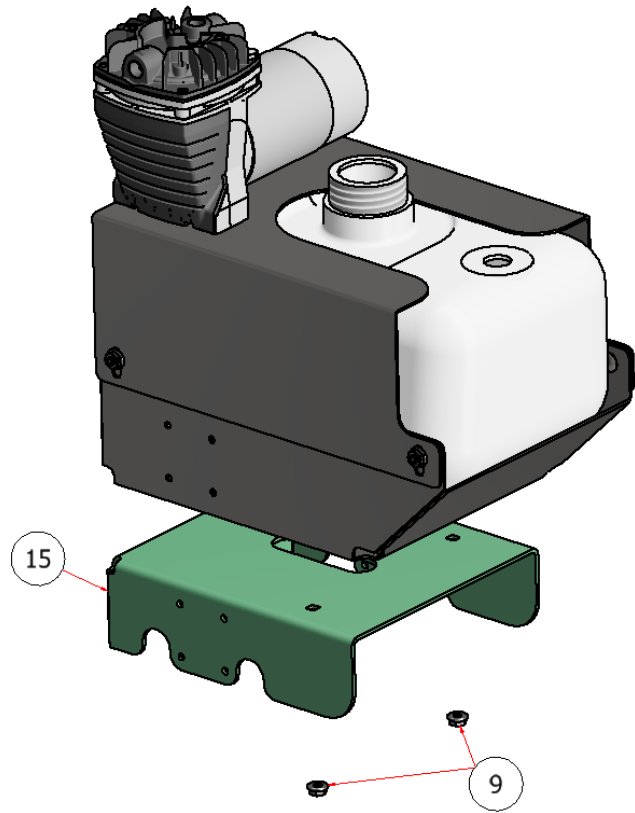


NOTE: Quantities in the parts list above are total per machine. Please note the quantities used in the sub-assemblies.

SGXL FINAL ASSEMBLY



PARTS LIST			
ITEM	QTY	PART NUMBER	TITLE
9	6	HFNCS-14SS	HEX FLANGE NUT, 1/4-20
15	1	W23-250	SUPPORT, 2.5 GAL. FOAM MARKER, SGXL

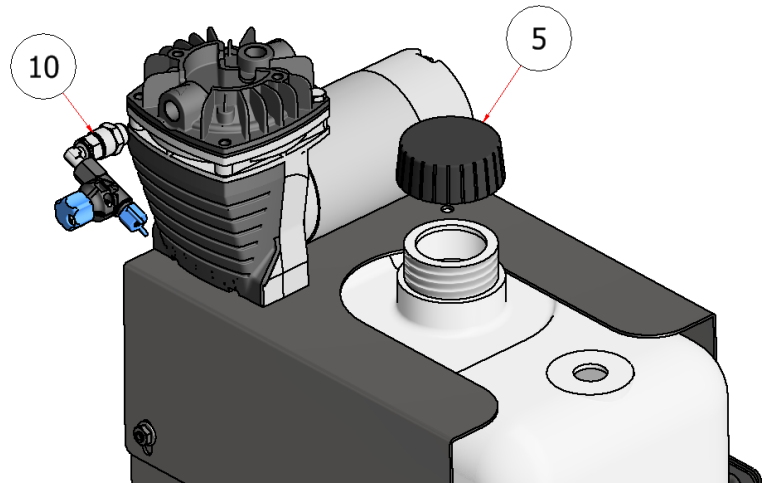


PARTS LIST			
ITEM	QTY	PART NUMBER	TITLE
8	4	TRPC-1012S	SCREW, PHILLIPS, #10 X 1/2
11	1	SV.2504.WP	SOLENOID VALVE, 3-WAY
12	5	S52026	ELBOW, 90, 1/2 NPT X 3/8 BARB

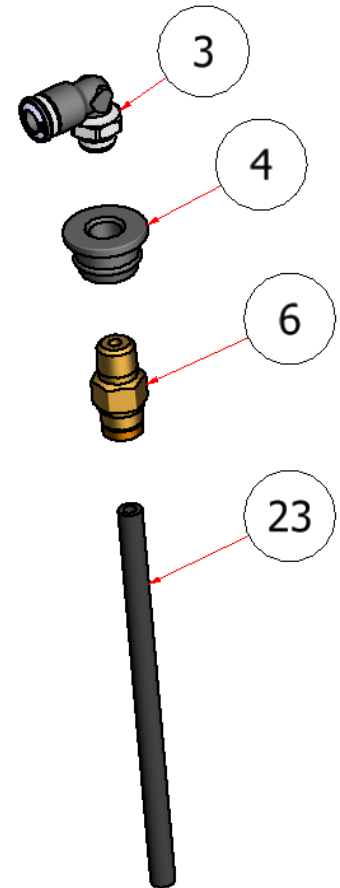
NOTE: Quantities in the parts list above are total per machine. Please note the quantities used in the sub-assemblies.

SGXL FINAL ASSEMBLY

PARTS LIST			
ITEM	QTY	PART NUMBER	TITLE
5	1	F10001	CAP, FOAM MARKER
10	1	901843	VALVE ASSEMBLY, FOAM MARKER



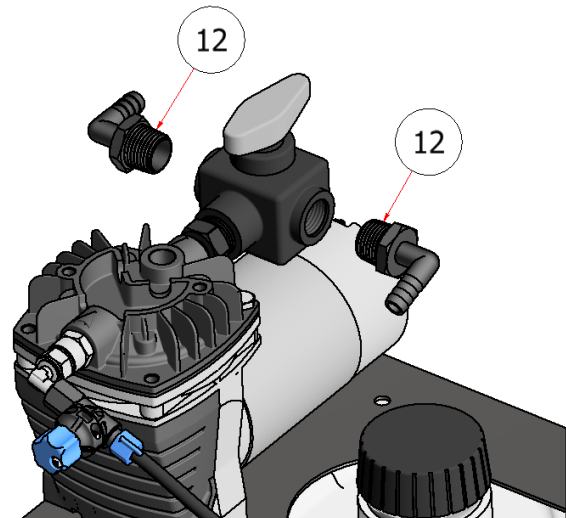
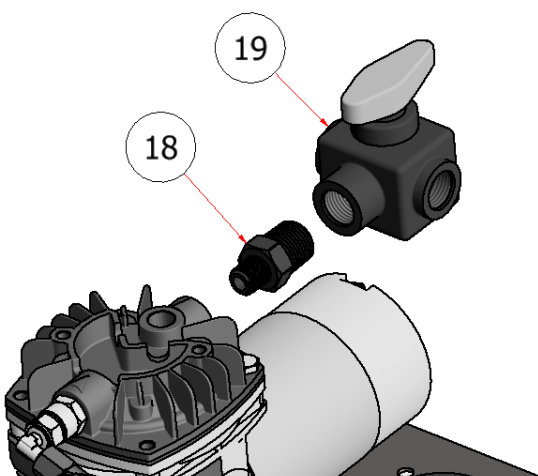
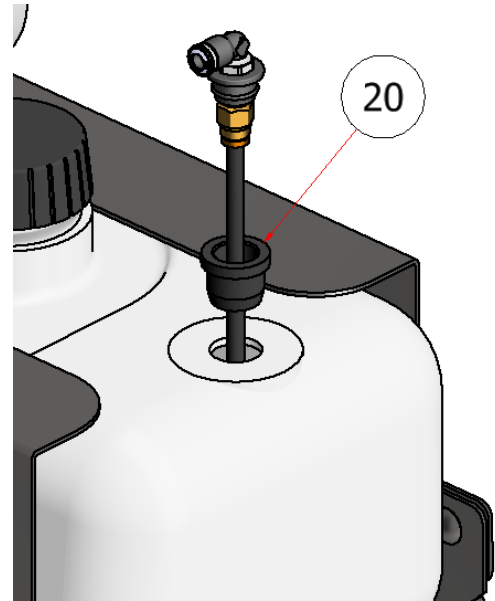
PARTS LIST			
ITEM	QTY	PART NUMBER	TITLE
3	1	200186	TUBE ADAPTER, ELBOW, FOAM MARKER
4	1	901847	CONNECTER, PLASTIC, FOAM MARKER
6	1	KQ2H07-34AS	CONNECTOR, TUBE, 1/4" X 1/8"
23	1	FM TUBE 2	PICK-UP TUBE



NOTE: Quantities in the parts list above are total per machine. Please note the quantities used in the sub-assemblies.

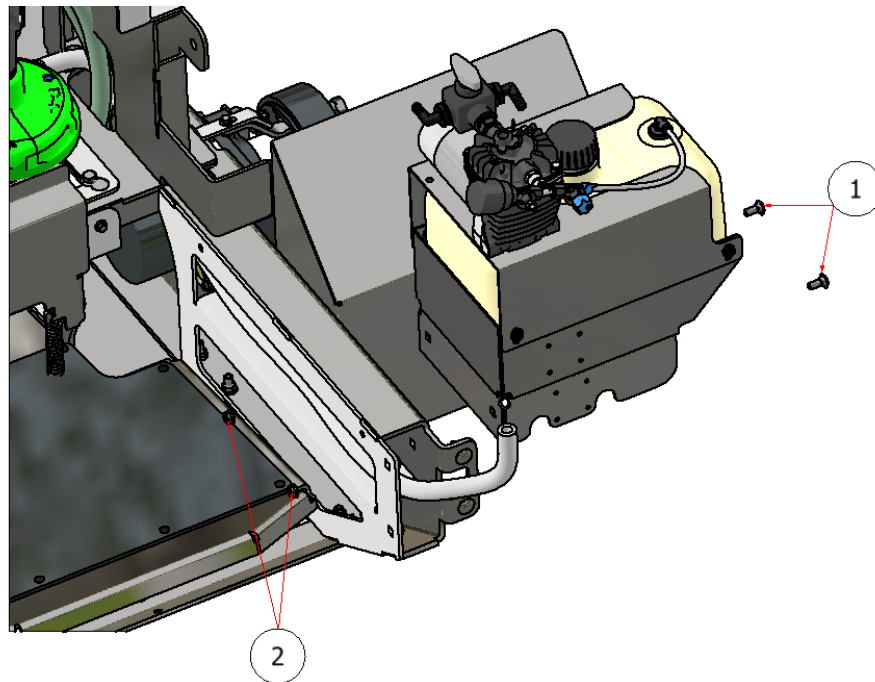
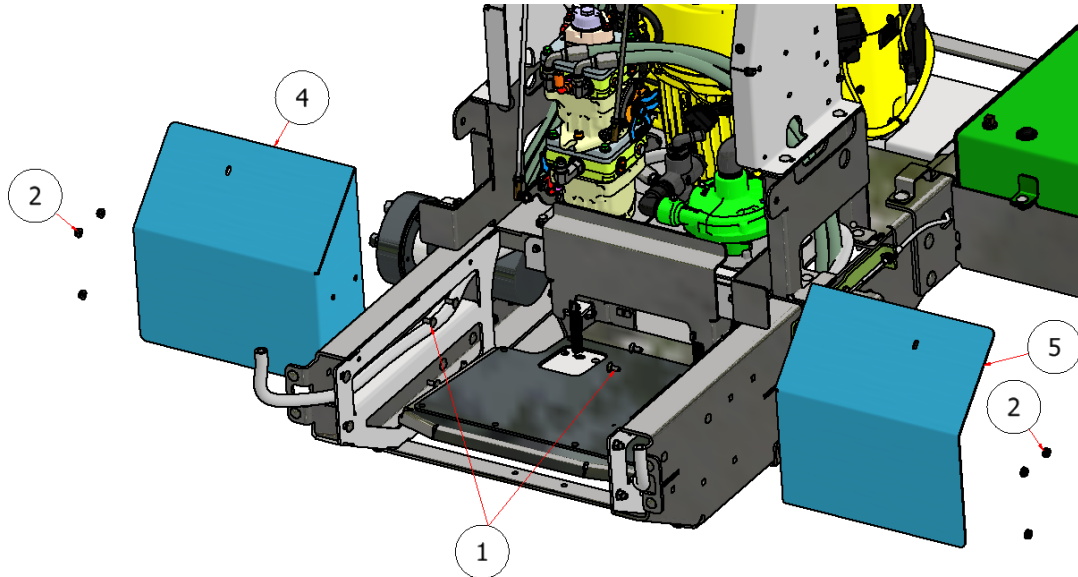
SGXL FINAL ASSEMBLY

PARTS LIST			
ITEM	QTY	PART NUMBER	TITLE
20	1	RUBBER SOCKET	RUBBER SOCKET, FOAM MARKER
22	1	FM TUBE	SUCTION TUBE



PARTS LIST			
ITEM	QTY	PART NUMBER	TITLE
12	5	S52026	ELBOW, 90, 1/2 NPT X 3/8 BARB
18	1	S52066	FITTING, 1/2 MNPT X 1/4 MNPT NIPPLE
19	1	K10062	VALVE, 3-WAY

NOTE: Quantities in the parts list above are total per machine. Please note the quantities used in the sub-assemblies.

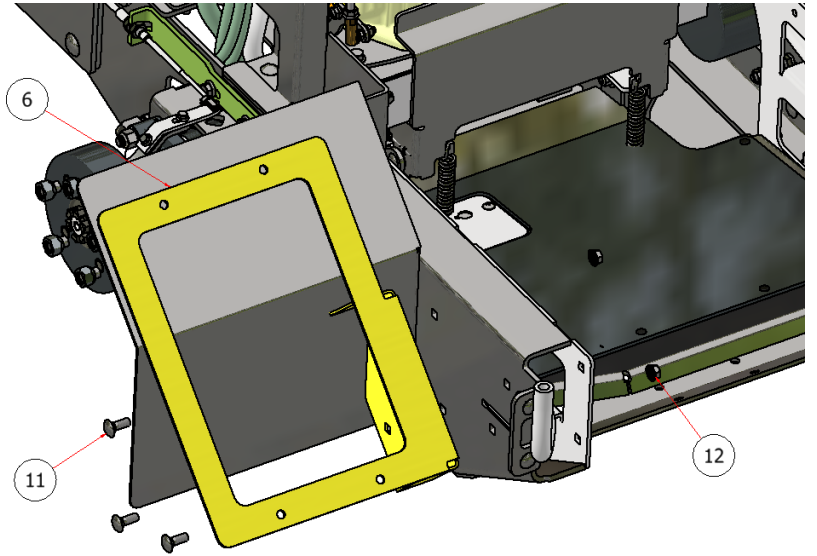


PARTS LIST				
ITEM	QTY	PART NUMBER	TITLE	
1	8	CB-51634	CARRIAGE BOLT, SS - 5/16-18 x 3/4	
2	12	HFNC5-516S	HEX FLANGE NUT, 5/16	
4	1	W23-253	FENDER, SGXL, LEFT	
5	1	W23-253-R	FENDER, SGXL, RIGHT	

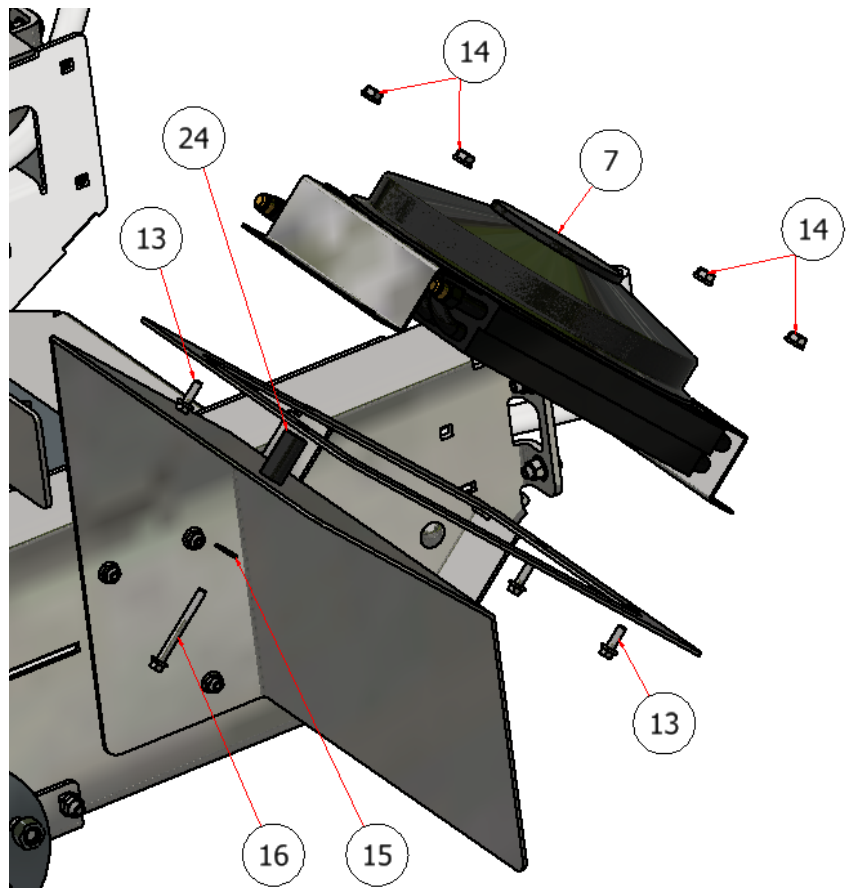
NOTE: Quantities in the parts list above are total per machine. Please note the quantities used in the sub-assemblies.

SGXL FINAL ASSEMBLY

PARTS LIST			
ITEM	QTY	PART NUMBER	TITLE
6	1	R23-255	SS SGXL OIL COOLER MOUNT
11	11	CB-381SS	CARRIAGE BOLT, SS - 3/8-16 x 1
12	11	HFNCS-375S	HEX FLANGE NUT, 3/8

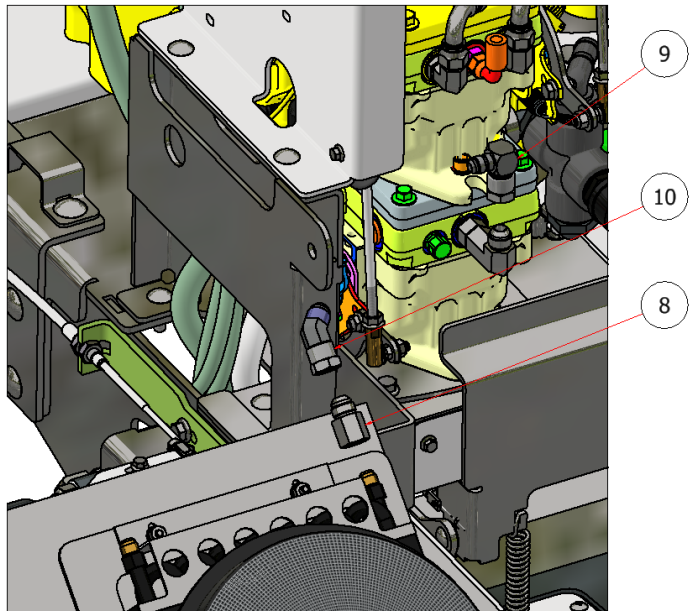


PARTS LIST			
ITEM	QTY	PART NUMBER	TITLE
7	1	E40211	OIL COOLER, HYDRAULIC
13	3	HFSSC-1475	HEX FLANGE BOLT, 1/4 X 3/4
14	4	HFNCS-25S	HEX FLANGE NUT, 1/4
15	1	FWSS-14	FLAT WASHER, SS - 1/4
16	1	HFSSC-1425	90166A118.STEP
24	1	92825A250	SPACER, 3/8 X 1-1/2

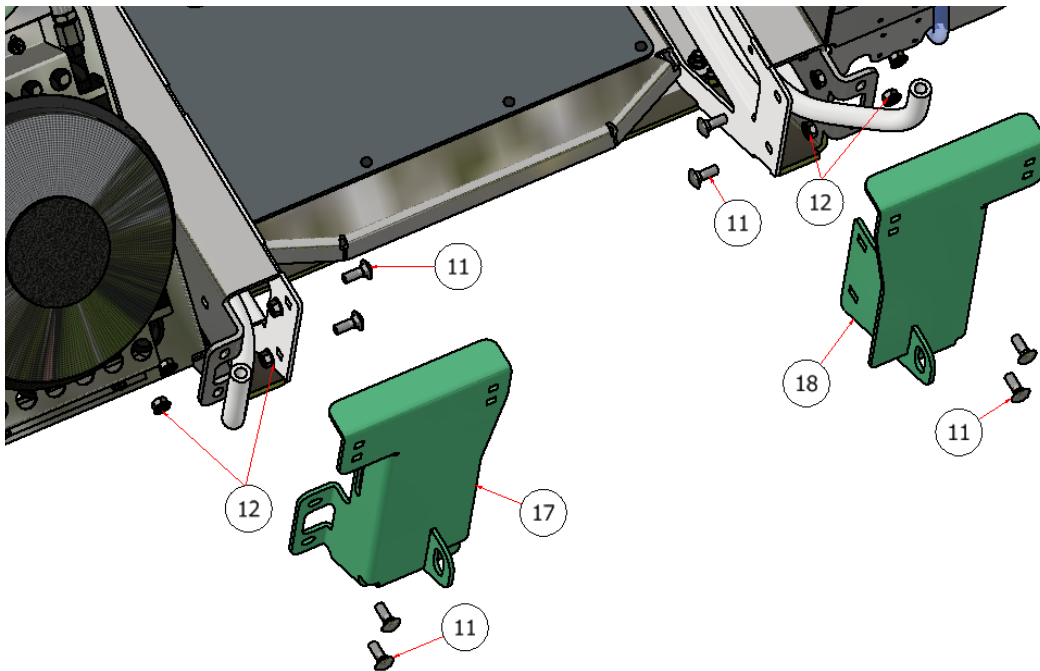


NOTE: Quantities in the parts list above are total per machine. Please note the quantities used in the sub-assemblies.

SGXL FINAL ASSEMBLY



PARTS LIST			
ITEM	QTY	PART NUMBER	TITLE
8	1	H84018	FITTING, ADAPTER, 3/8 JIC X 1/2 JIC
9	1	H84053	FITTING, 1/2" FJIC X 3/8" MJIC ELBOW
10	1	H84055-B	FITTING, 1/2" FJIC SWIVEL X 1/2" MJIC ELBOW 45

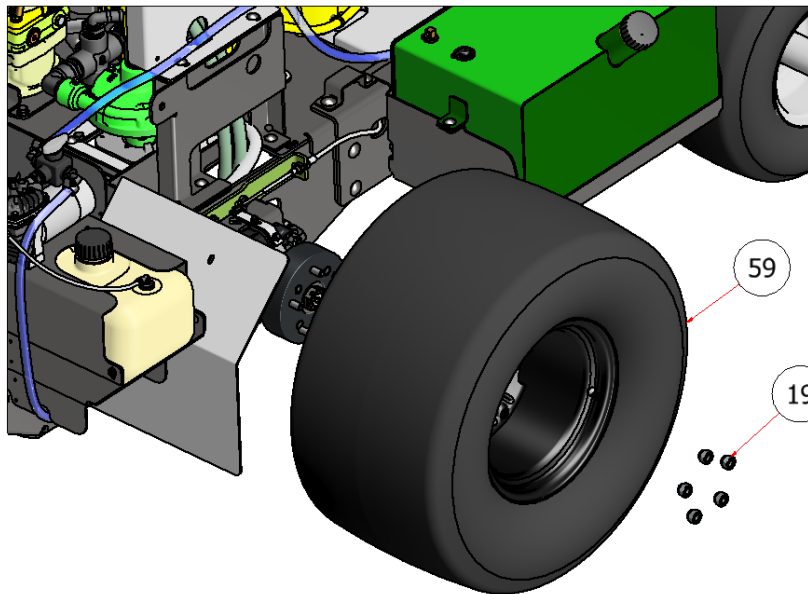
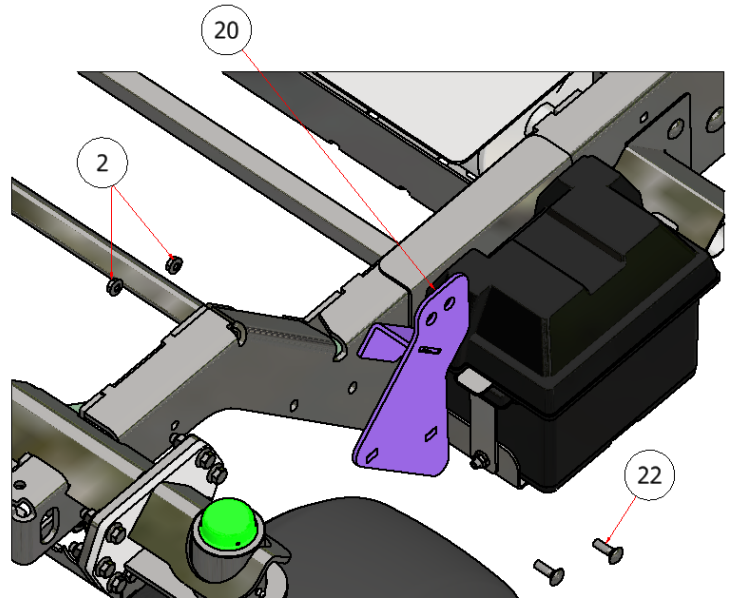


PARTS LIST			
ITEM	QTY	PART NUMBER	TITLE
11	11	CB-381SS	CARRIAGE BOLT, SS - 3/8-16 x 1
12	11	HFNCS-375S	HEX FLANGE NUT, 3/8
17	1	W23-306	BOOM MOUNT, SGXL, LEFT
18	1	W23-306_MIR	BOOM MOUNT, SGXL, RIGHT

NOTE: Quantities in the parts list above are total per machine. Please note the quantities used in the sub-assemblies.

SGXL FINAL ASSEMBLY

PARTS LIST			
ITEM	QTY	PART NUMBER	TITLE
2	12	HFNCS-516S	HEX FLANGE NUT, 5/16
20	1	W23-257	ATTACHMENT MOUNT, SGXL, LEFT
21	1	W23-257-R	ATTACHMENT MOUNT, SGXL, RIGHT
22	4	CB-5161SS	CARRIAGE BOLT, SS - 5/16-18 x 1



PARTS LIST			
ITEM	QTY	PART NUMBER	TITLE
19	10	T90317	LUG NUT
34	2	T90010-G	REAR TIRE, SGXL

NOTE: Quantities in the parts list above are total per machine. Please note the quantities used in the sub-assemblies.