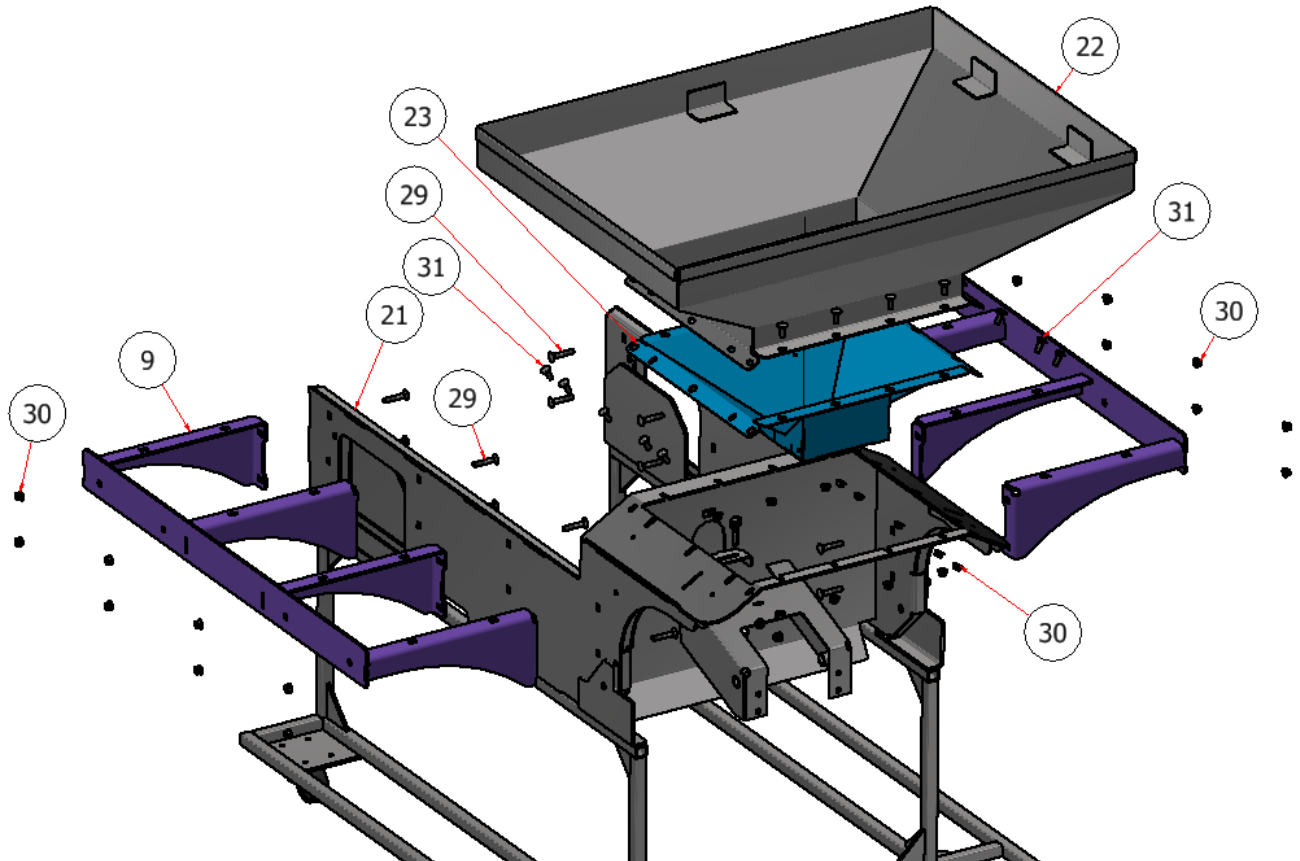


SGXL HOPPER ATTACHMENT

DRAWING NO. SGXLEV-042 REV. 2

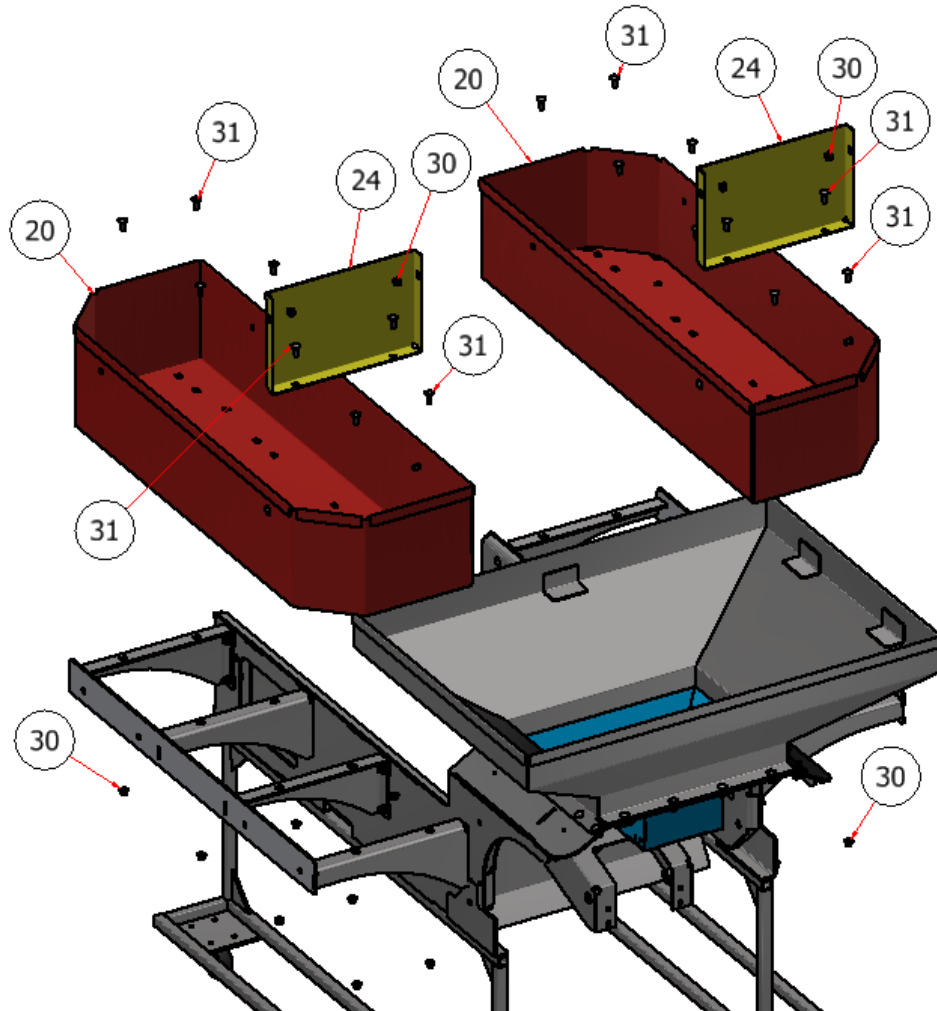
STEELGREEN
MANUFACTURING™



PARTS LIST			
ITEM	QTY	PART NUMBER	DESCRIPTION
9	2	W24-017	SIDE SUPPORT, HOPPER ATTACHMENT, SGXL
21	1	W24-053	BASE, HOPPER ATTACHMENT, SGXL
22	1	W24-048	HOPPER TUB, UPPER, SGXL
23	1	W24-050	LOWER TUB, HOPPER ATTACHMENT, SGXL
29	16	CB-33752SS	CARRIAGE BOLT, 3/8 X 2
30	58	HFNC3-375S	HEX FLANGE NUT, 3/8
31	38	CB-381SS	CARRIAGE BOLT, SS - 3/8-16 x 1

NOTE: Quantities in the parts list above are total per machine. Please note the quantities used in the sub-assemblies.

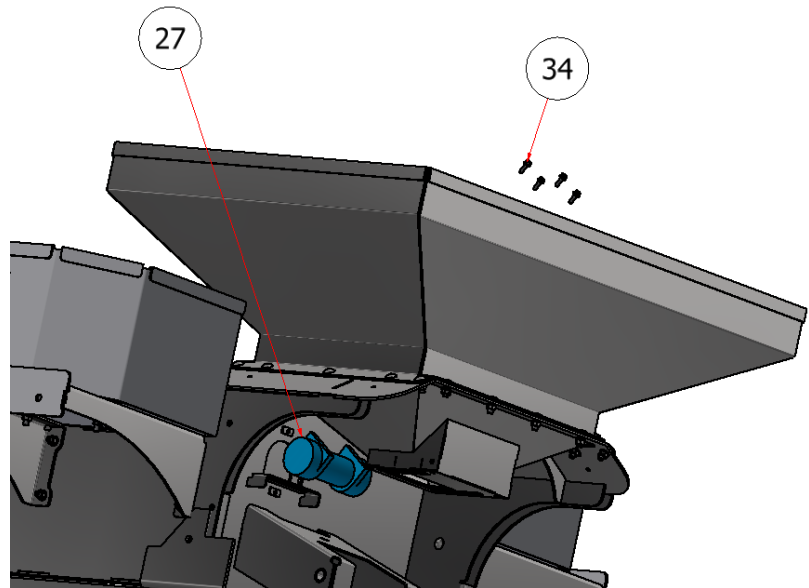
SGXL HOPPER ATTACHMENT



PARTS LIST			
ITEM	QTY	PART NUMBER	DESCRIPTION
20	2	W24-046	FERT BOX, HOPPER, SGXL
24	2	R24-058	DIVIDER, FERT BOX, HOPPER, SGXL
30	58	HFNC3-375S	HEX FLANGE NUT, 3/8
31	38	CB-381SS	CARRIAGE BOLT, SS - 3/8-16 x 1

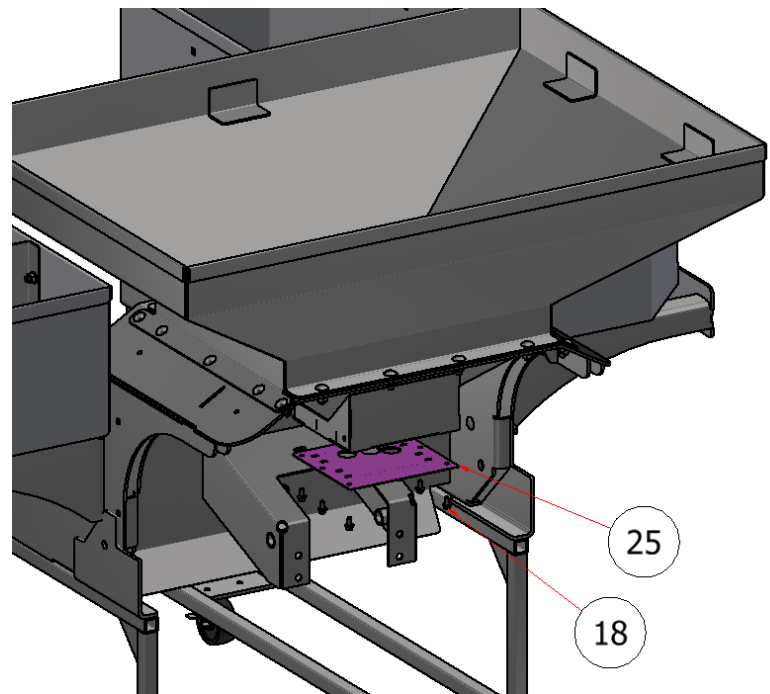
NOTE: Quantities in the parts list above are total per machine. Please note the quantities used in the sub-assemblies.

SGXL HOPPER ATTACHMENT



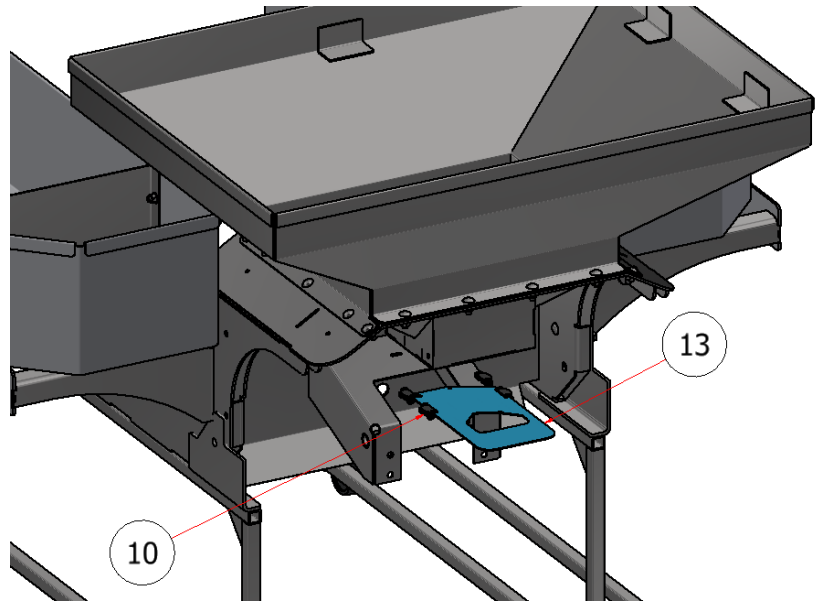
PARTS LIST			
ITEM	QTY	PART NUMBER	DESCRIPTION
27	1	H81442	VIBRATOR, HOPPER, SGXL
34	4	HFSSC-1475	HEX FLANGE BOLT, 1/4 X 3/4

PARTS LIST			
ITEM	QTY	PART NUMBER	DESCRIPTION
18	9	HFSSC-145	HEX FLANGE BOLT, SS - 1/4-20 x 1/2
25	1	W24-020-SG	FERT PLATE, HOPPER, SGXL



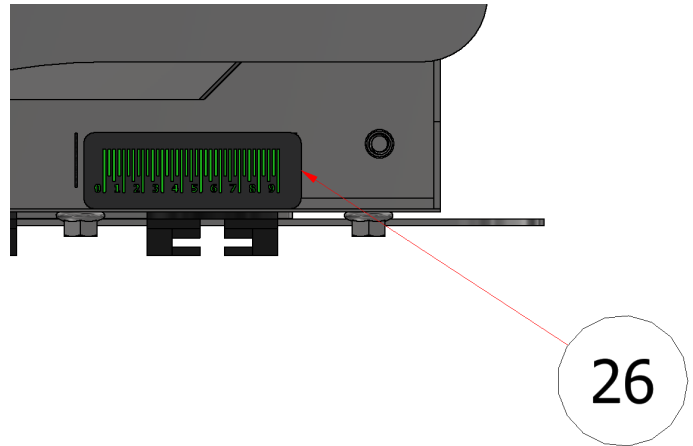
NOTE: Quantities in the parts list above are total per machine. Please note the quantities used in the sub-assemblies.

SGXL HOPPER ATTACHMENT



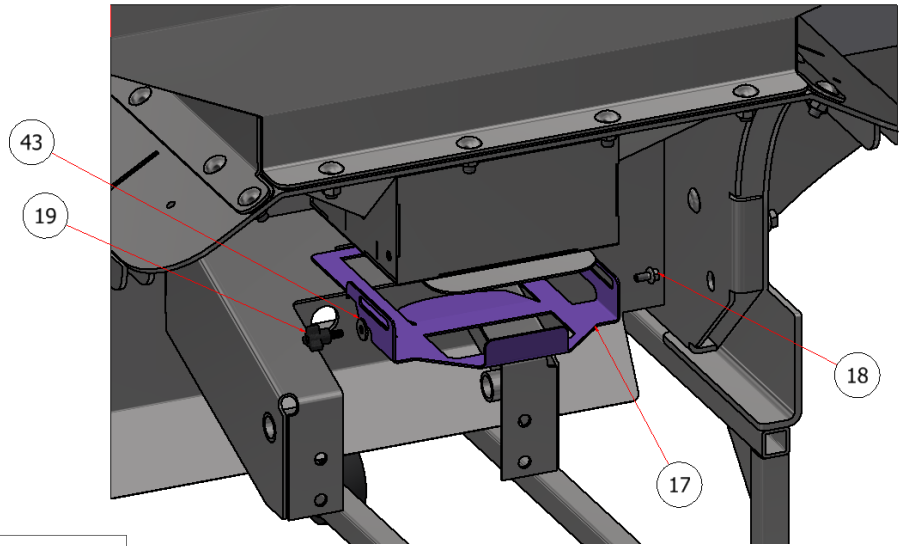
PARTS LIST			
ITEM	QTY	PART NUMBER	DESCRIPTION
10	4	D70005	GUIDE, RATE GATE/DIFFUSER
13	1	R24-034	GATE, HOPPER, SGXL

PARTS LIST			
ITEM	QTY	PART NUMBER	DESCRIPTION
26	1	C60416	DECAL, GATE ADJUSTMENT, XL HOPPER

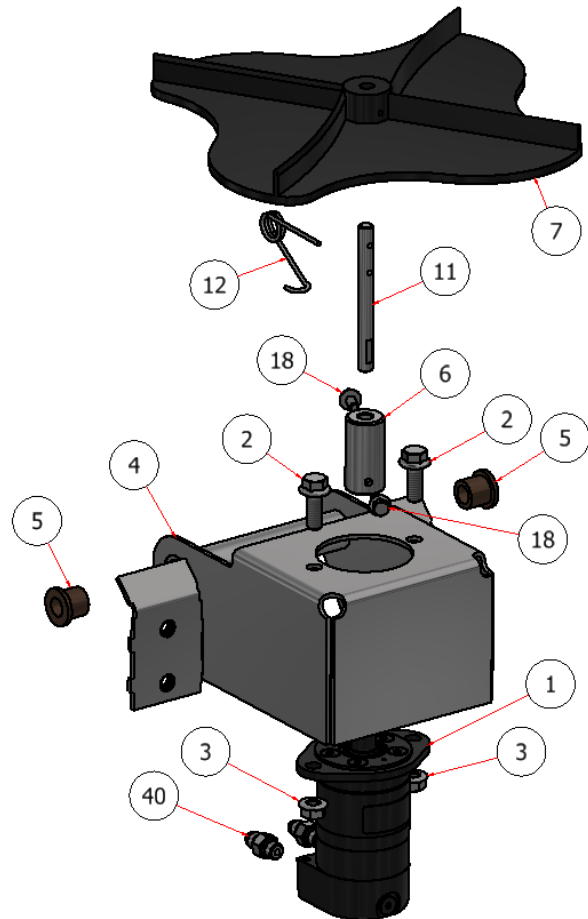


NOTE: Quantities in the parts list above are total per machine. Please note the quantities used in the sub-assemblies.

SGXL HOPPER ATTACHMENT



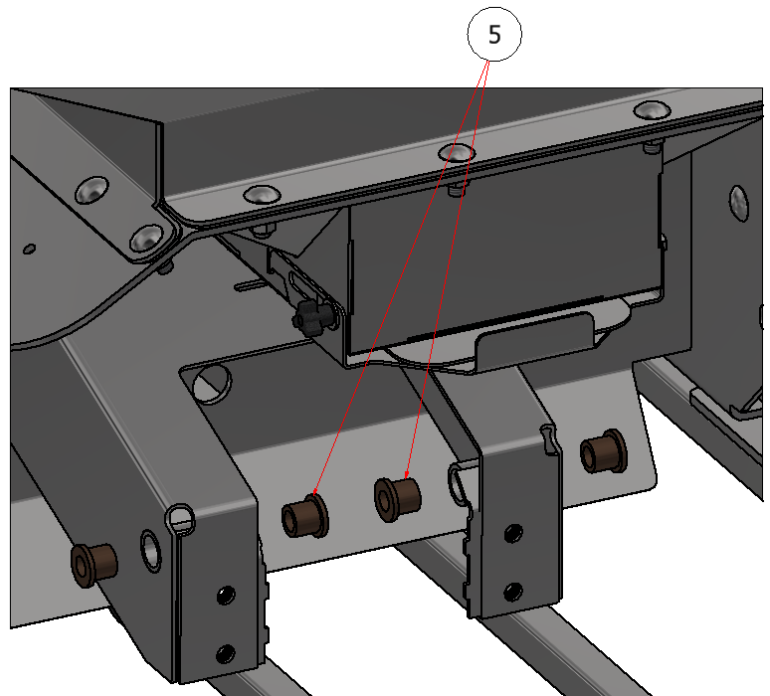
PARTS LIST			
ITEM	QTY	PART NUMBER	DESCRIPTION
17	1	R24-042.1	RATE GATE, XL HOPPER
18	9	HFSSC-145	HEX FLANGE BOLT, SS - 1/4-20 x 1/2
19	1	C60210	PLASTIC KNOB, 1/4"
43	1	FWSS-14	FLAT WASHER, SS - 1/4



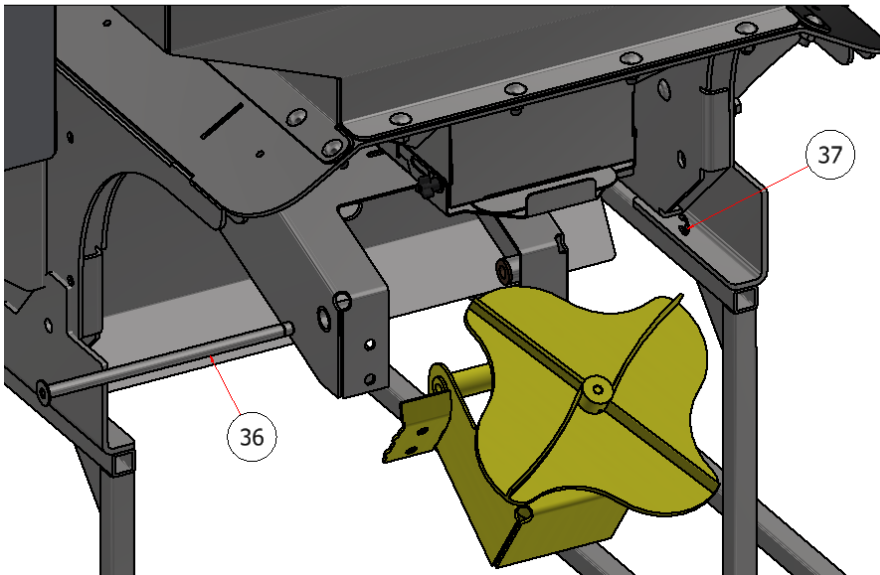
PARTS LIST			
ITEM	QTY	PART NUMBER	DESCRIPTION
1	1	H81441	MOTOR, HOPPER
2	2	HFSSC-381	HEX FLANGE BOLT, SS - 3/8-16 x 1
3	2	HFNCS-38S	HEX FLANGE NUT, SS - 3/8-16
4	1	W24-026	HOUSING, HOPPER MOTOR, XL
5	6	C60303	BUSHING, JOY STICK
6	1	R31011	COUPLER, HOPPER MOTOR
7	1	D70000	SPINNER, HOPPER
11	1	R34-002	SHAFT, HOPPER MOTOR
12	1	D70019	CLIP, SPINNER SPRING LOADED
18	11	HFSSC-145	HEX FLANGE BOLT, SS - 1/4-20 x 1/2
40	2	H84002	1/4 MALE JIC X 1/4 ORB
43	1	FWSS-14	FLAT WASHER, SS - 1/4

NOTE: Quantities in the parts list above are total per machine. Please note the quantities used in the sub-assemblies.

SGXL HOPPER ATTACHMENT



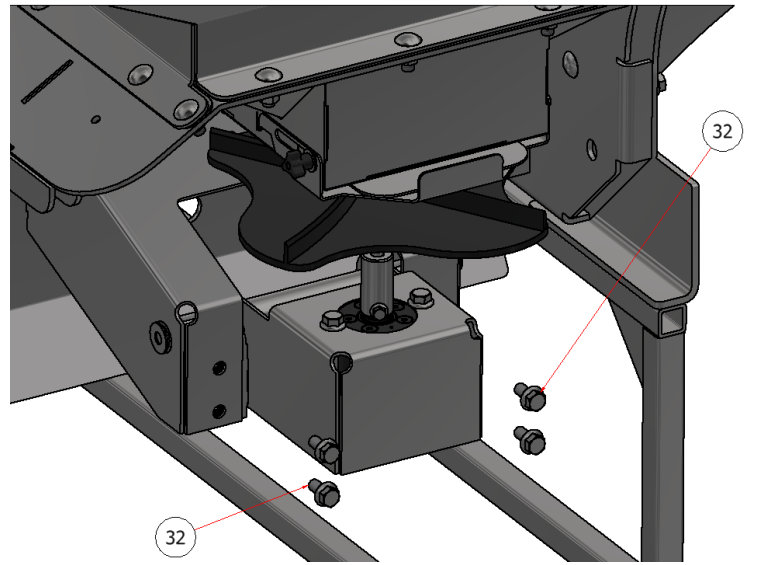
PARTS LIST			
ITEM	QTY	PART NUMBER	DESCRIPTION
5	6	C60303	BUSHING, JOY STICK



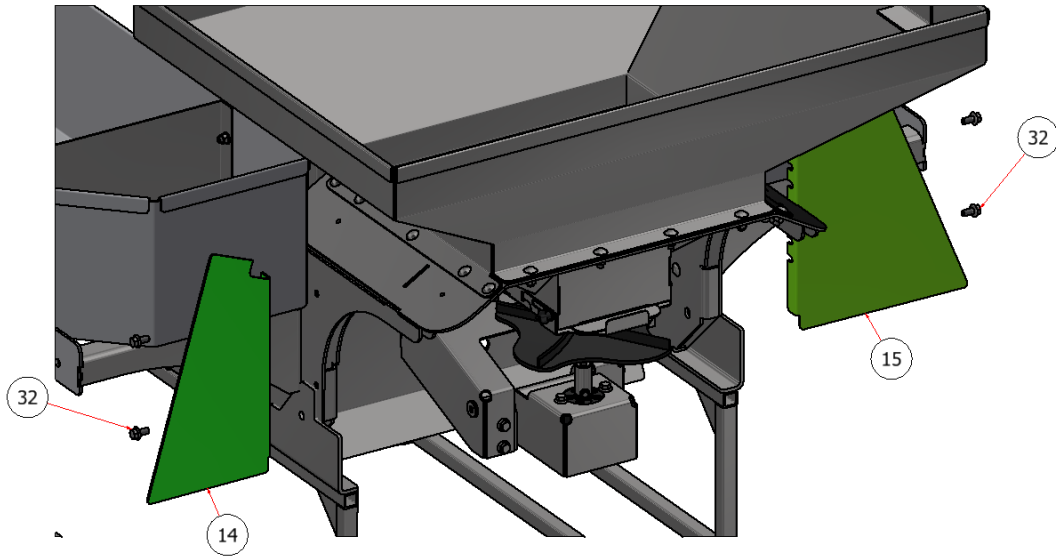
PARTS LIST			
ITEM	QTY	PART NUMBER	DESCRIPTION
36	1	W34-005	ROD, HOPPER MOTOR HOUSING, XL
37	1	ECSS-050	E-CLIP, 1/2"

NOTE: Quantities in the parts list above are total per machine. Please note the quantities used in the sub-assemblies.

SGXL HOPPER ATTACHMENT



PARTS LIST			
ITEM	QTY	PART NUMBER	DESCRIPTION
32	8	HFSSC-3875	HEX BOLT, 3/8 X 3/4

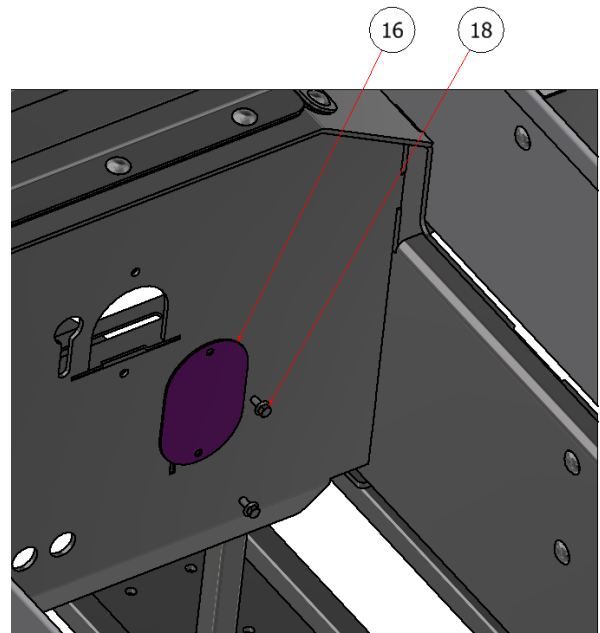


PARTS LIST			
ITEM	QTY	PART NUMBER	DESCRIPTION
14	1	FB-01	FERT SHIELD, XL HOPPER, RIGHT.
15	1	FB-01_MIR	FERT SHIELD, XL HOPPER, LEFT
32	8	HFSSC-3875	HEX BOLT, 3/8 X 3/4

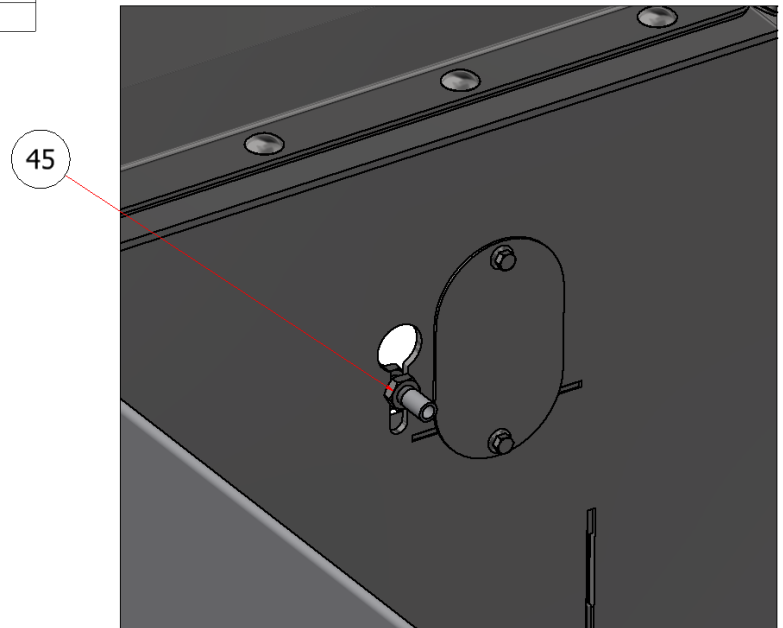
NOTE: Quantities in the parts list above are total per machine. Please note the quantities used in the sub-assemblies.

SGXL HOPPER ATTACHMENT

PARTS LIST			
ITEM	QTY	PART NUMBER	DESCRIPTION
16	1	R24-043	COVER PLATE, XL HOPPER
18	11	HFSSC-145	HEX FLANGE BOLT, SS - 1/4-20 x 1/2



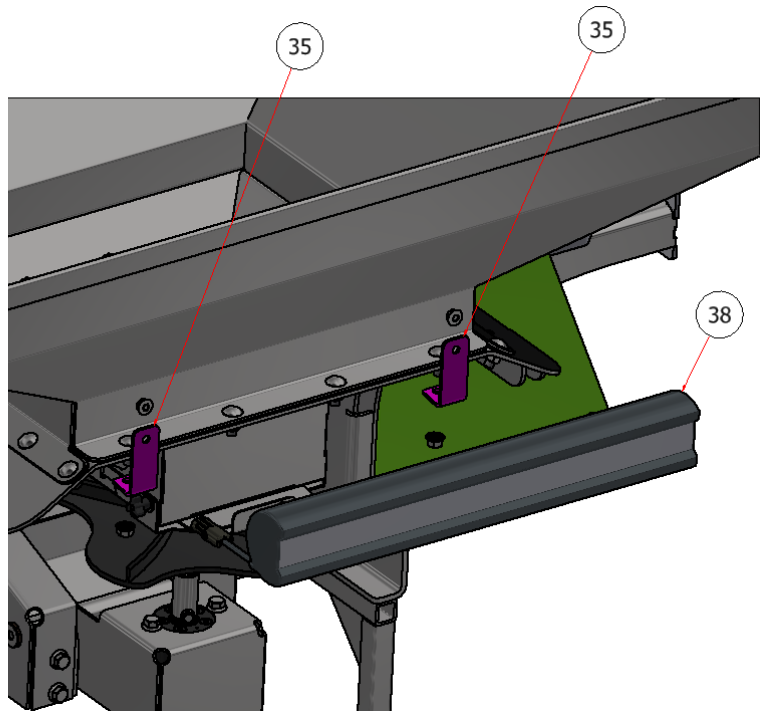
PARTS LIST			
ITEM	QTY	PART NUMBER	DESCRIPTION
44	1	2447K110	CLEVIS, PARKING BRAKE CABLE
45	1	D71018	CABLE, PARKING BRAKE



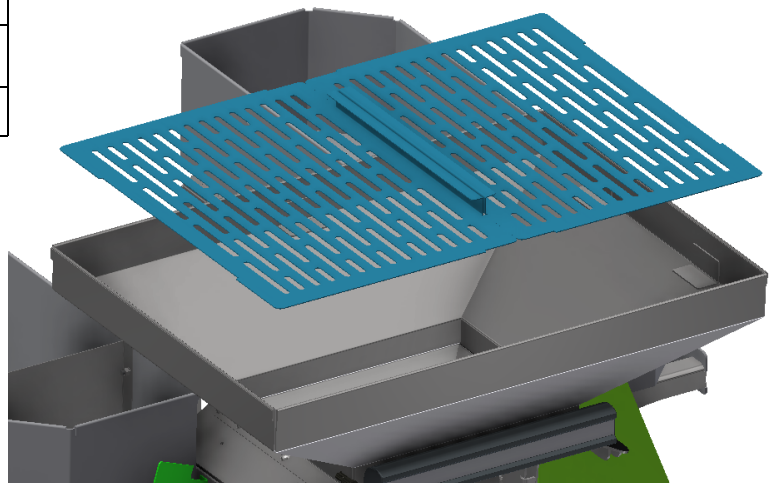
NOTE: Quantities in the parts list above are total per machine. Please note the quantities used in the sub-assemblies.

SGXL HOPPER ATTACHMENT

PARTS LIST			
ITEM	QTY	PART NUMBER	DESCRIPTION
35	2	R23-256	BRACKET, LIGHT BAR, XL
38	1	E40210	LIGHT BAR, LED



PARTS LIST			
ITEM	QTY	PART NUMBER	DESCRIPTION
46	2	R24-016	GRATE, SGXL HOPPER



NOTE: *Quantities in the parts list above are total per machine. Please note the quantities used in the sub-assemblies.*