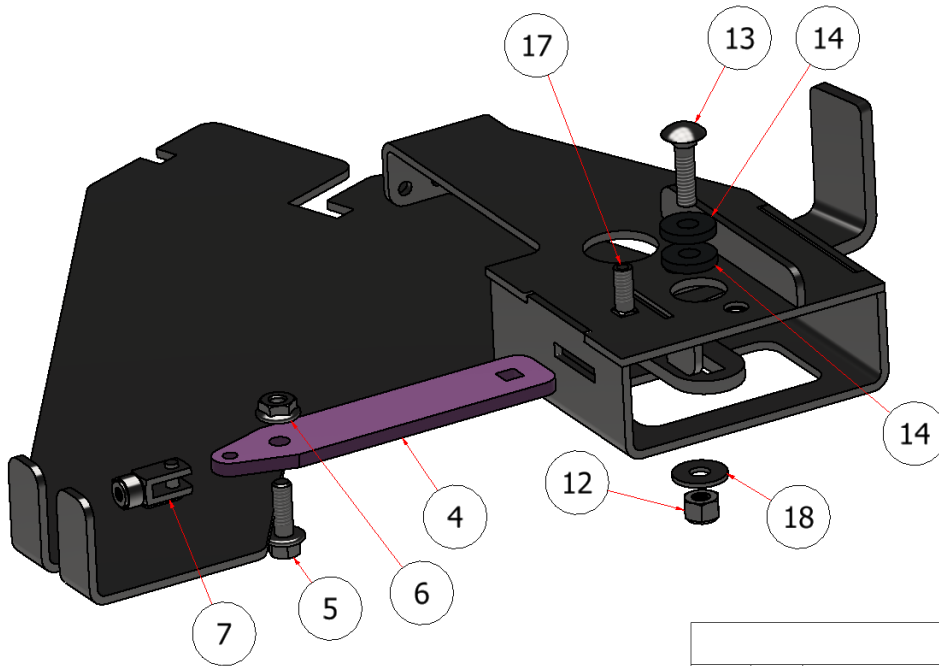
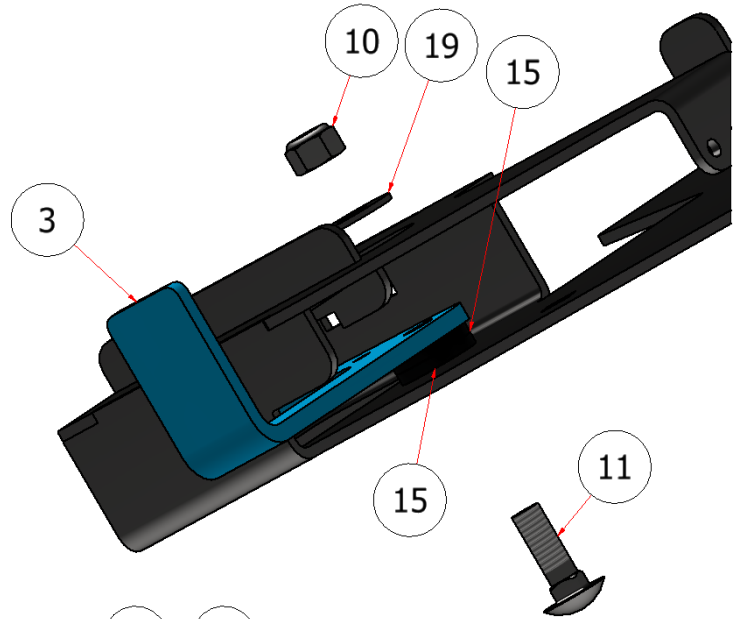


SGXL HOPPER CONTROL

DRAWING NO. SGXLEV-043 REV. 2



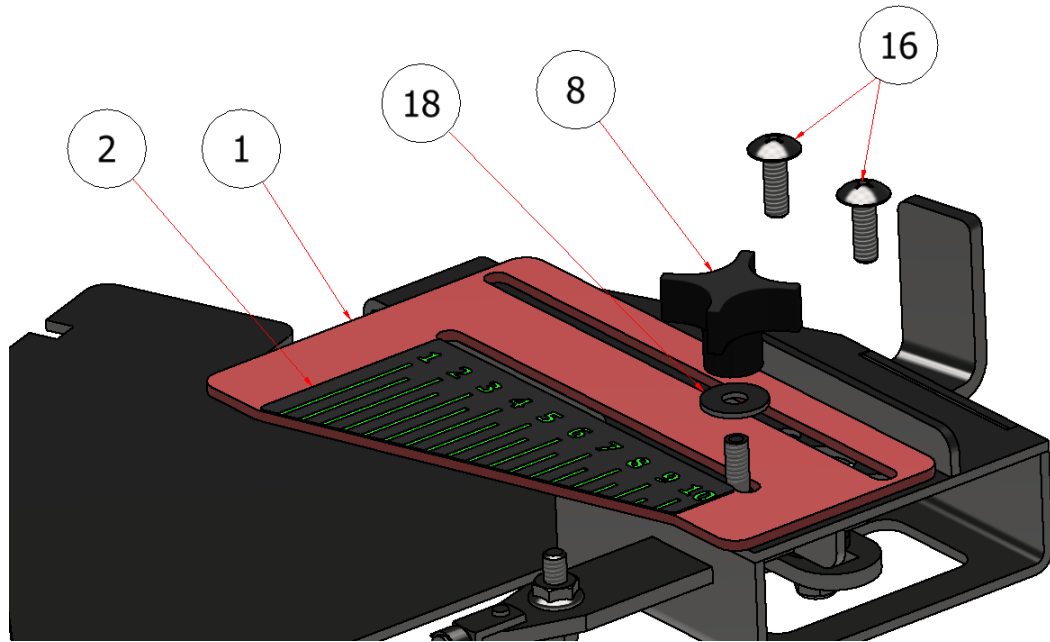
PARTS LIST			
ITEM	QTY	PART NUMBER	DESCRIPTION
3	1	R24-060	LEVER, HOPPER GATE CONTROL
10	1	SSNC-516	5/16" NUT, NYLOCK
11	1	CB-5161SS	CARRIAGE BOLT, SS - 5/16-18 x 1
15	2	NFW-516B	FLAT WASHER, 5/16, PLASTIC
19	1	FWSS-516	FLAT WASHER, 5/16



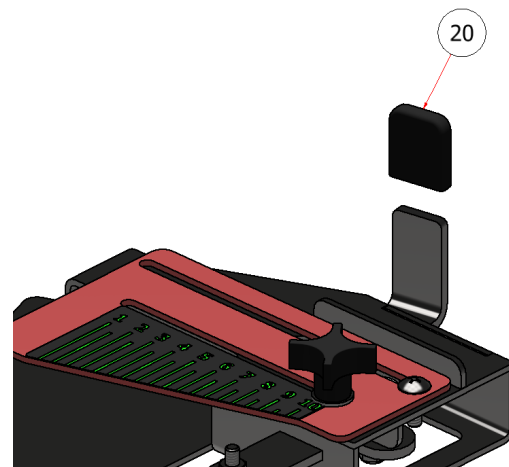
PARTS LIST			
ITEM	QTY	PART NUMBER	DESCRIPTION
4	1	R24-010	ARM, CONTROL LEVER, GATE CONTROL
5	1	HFSSC-1475	HEX FLANGE BOLT, 1/4 X 3/4
6	1	HFNCS-14S	HEX FLANGE NUT, 1/4
7	1	2447K110	CLEVIS, PARKING BRAKE CABLE
12	1	SSNNC-14	NYLOCK, SS - 1/4-20
13	1	CB-141	CARRIAGE BOLT, 1/4 X 1
14	2	NFW-14B	FLAT WASHER, 1/4", PLASTIC
18	2	FWSS-14	FLAT WASHER, SS - 1/4

NOTE: Quantities in the parts list above are total per machine. Please note the quantities used in the sub-assemblies.

SGXL HOPPER CONTROL



PARTS LIST			
ITEM	QTY	PART NUMBER	DESCRIPTION
1	1	R24-008	ADJUSTMENT PLATE, HOPPER GATE CONTROL
2	1	C60417	DECAL, GATE CONTROL ADJUSTMENT
8	1	S53006	KNOB, HOSE REEL
16	2	TRPC-141S	SCREW PHILLIPS, SS - 1/4-20 x 1
18	2	FWSS-14	FLAT WASHER, SS - 1/4



PARTS LIST			
ITEM	QTY	PART NUMBER	DESCRIPTION
20	1	C60201	GRIP, PARKING BRAKE

NOTE: Quantities in the parts list above are total per machine. Please note the quantities used in the sub-assemblies.