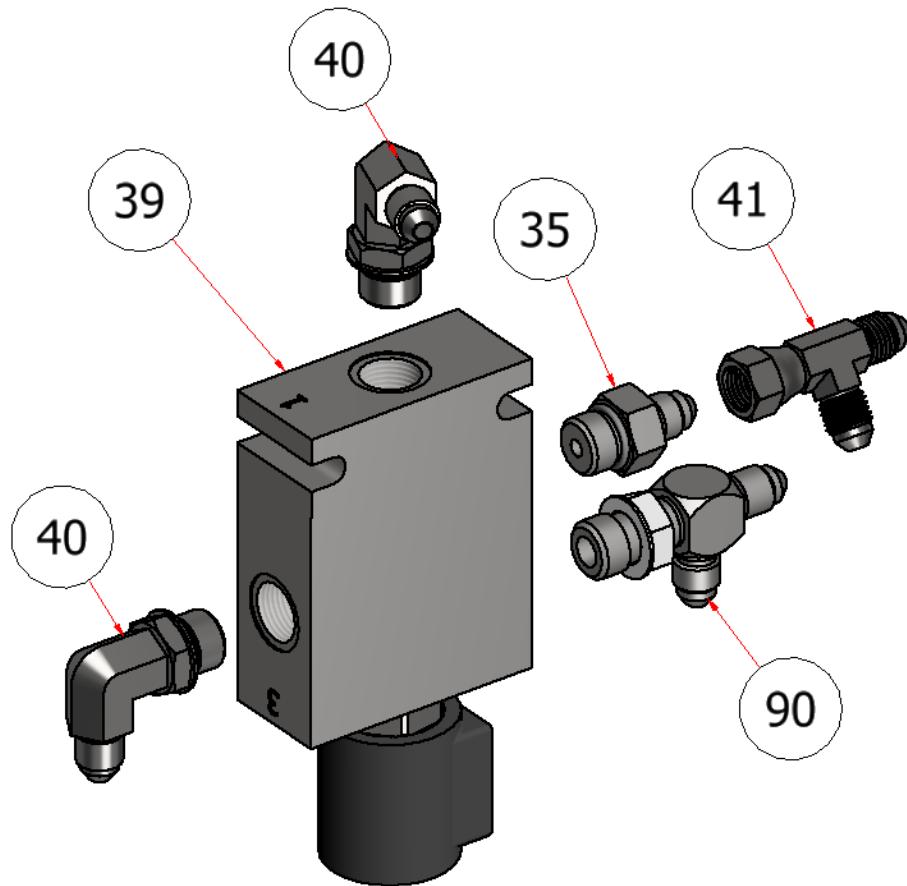


SGXL HSA VALVE

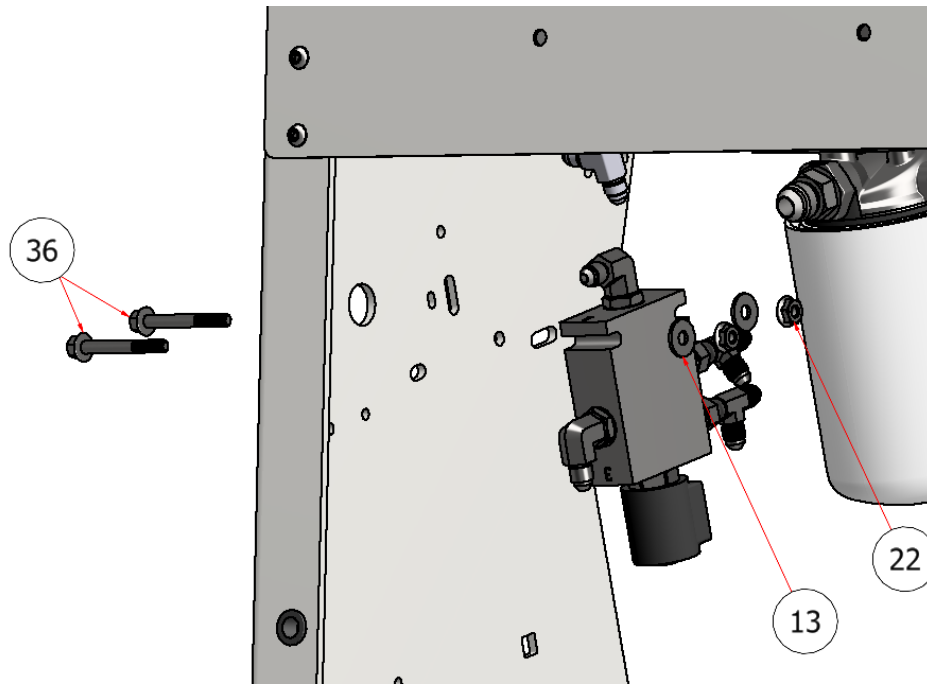
DRAWING NO. SGXLEV-002 REV. 2

STEELGREEN
MANUFACTURING™



PARTS LIST			
ITEM	QTY	PART NUMBER	TITLE
35	1	H84003	1/4 MALE JIC x 3/8 ORB STR
39	1	H80600	SOLENOID VALVE, CASTER LOCK
40	3	H84000	1/4 MALE JIC x 3/8 ORB ELB
41	1	H84031	1/4 HOSE X 1/4 FEMALE JIC SWIVEL TEE
90	2	H84013	RUN TEE, 3/8 ORB X 1/4 MJIC

NOTE: Quantities in the parts list above are total per machine. Please note the quantities used in the sub-assemblies.



PARTS LIST			
ITEM	QTY	PART NUMBER	TITLE
13	10	FWSS-14	FLAT WASHER, SS-1/4
22	24	HFNCS-14S	HEX NUT, 1/4
36	4	HFSSC-142	HEX FLANGE BOLT, 1/4 X 2

NOTE: Quantities in the parts list above are total per machine. Please note the quantities used in the sub-assemblies.