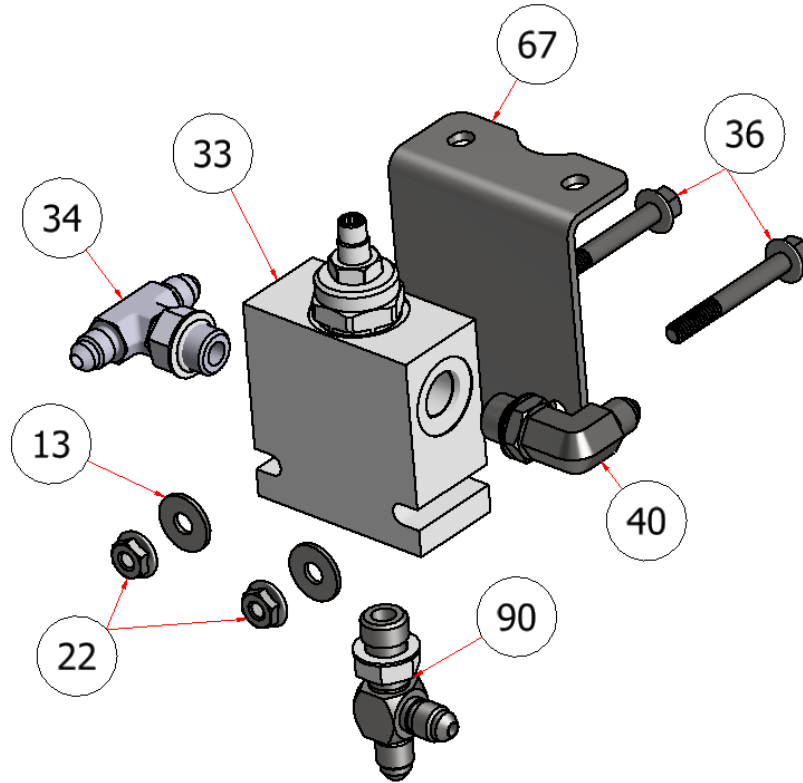


SGXL HYDRAULIC CONTROL VALVE

DRAWING NO. SGXLEV-001 REV. 2

STEELGREEN
MANUFACTURING™



PARTS LIST			
ITEM	QTY	PART NUMBER	TITLE
13	10	FWSS-14	FLAT WASHER, SS-1/4
22	24	HFNCS-14S	HEX NUT, 1/4
33	1	H81430	VALVE, HYDROFORCE
34	1	H84028	TEE FITTING, 1/4 ORB X 1/4 MJIC
36	4	HFSSC-142	HEX FLANGE BOLT, 1/4 X 2
40	3	H84000	1/4 MALE JIC x 3/8 ORB ELB
67	1	R21-136	SG 2020 HOPPER CONTROL VALVE MOUNT
90	2	H84013	RUN TEE, 3/8 ORB X 1/4 MJIC

NOTE: Quantities in the parts list above are total per machine. Please note the quantities used in the sub-assemblies.